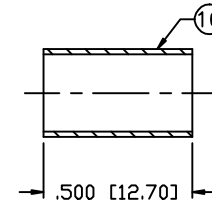
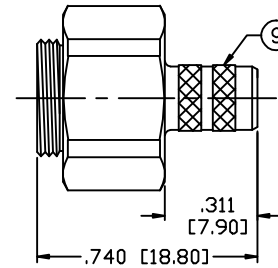
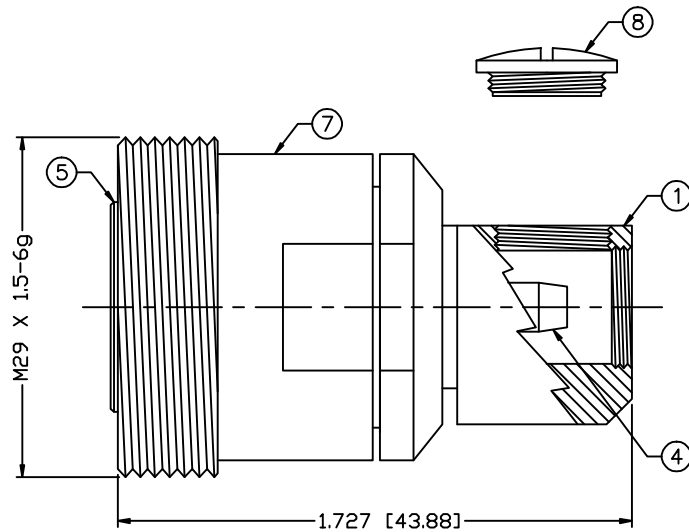


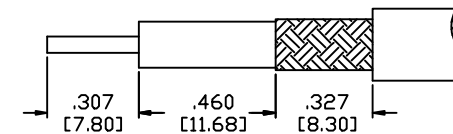
PART NO.

RFD-1630-2-X

REV	DESCRIPTION	DWN	DATE	APPROVED
-	ENGINEERING RELEASE	CZS	10/13/08	JDMc



RECOMMENDED CRIMP DIE: .255"



RECOMMENDED STRIPING DIMENSIONS

NOTE: ATTACH CABLE TO CONNECTOR BY
SOLDERING THE CABLE INNER CONDUCTOR
TO THE PIN SLOT INSIDE THE CONNECTOR

SPECIFICATIONS:

IMPEDANCE: 50 Ohms

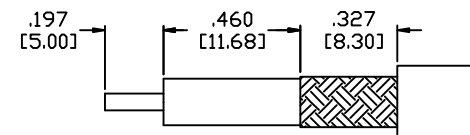
FREQUENCY RANGE: 0-7.5 GHz

PEAK POWER: 13.2 Kw max.

AVERAGE POWER: 3.0 Kw max.

TEMPERATURE RANGE: -55°C TO 150°C

FOR RG-8/X, BELDEN 9258, MAXRAD M8X-100 &
M8X-1000, MICRO 8/U, REMEE 1600, SAXTON 8315 &
TIMES LMR-240 & LMR-240 ULTRAFLEX CABLE



RECOMMENDED STRIPING DIMENSIONS

#	DESCRIPTION	QTY	MATERIAL	FINISH
10	FERRULE	1	BRASS	SILVER, 30 μ"
9	FERRULE STUD	1	BRASS	SILVER, 30 μ"
8	SCREW CAP	1	BRASS	SILVER, 30 μ"
7	BODY	1	BRASS	SILVER, 30 μ"
6	GASKET	1	RUBBER	---
5	GROUND RING	1	BRASS	SILVER, 30 μ"
4	PIN	1	BRASS	SILVER, 30 μ"
3	CONTACT	1	Be.Cu.	SILVER, 30 μ"
2	INSULATOR	1	PTFE	---
1	COMBO BODY	1	BRASS	SILVER, 30 μ"

CUSTOMER
OUTLINE DRAWINGALL DIMENSIONS
ARE REFERENCE ONLYUNLESS OTHERWISE SPECIFIED:
DIMENSIONS ARE IN INCHES
AND [MILLIMETERS]DRAWN
C. ZUNIGA 10/13/08
CHECKEDORJ DRAWN
C. ZUNIGA 10/13/08R o HS
COMPLIANT

PROPRIETARY AND CONFIDENTIAL
THIS DRAWING CONTAINS
INFORMATION PROPRIETARY TO
RF INDUSTRIES. ANY
UNAUTHORIZED USE OF THIS
DRAWING IS EXPRESSLY
PROHIBITED WITHOUT WRITTEN
PERMISSION FROM RF
INDUSTRIES. ANY VIOLATION IS
PUNISHABLE UNDER U.S.
COPYRIGHT LAWS.

RFconnectors
DIVISION OF RF INDUSTRIES, LTD.

7610 MIRAMAR RD.
SAN DIEGO, CA 92126
(858) 549-6340
(858) 549-6345 FAX

7/16 JACK, CRIMP
R/A-STRAIGHT COMBO

SIZE	CABLE GROUP	DWG NO.	REV
A	X	RFD-1630-2-X	—
SCALE:	ENGINEERING ID:	000000	SHEET 1 OF 1
NTS			