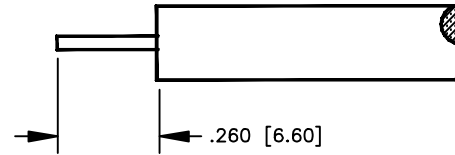
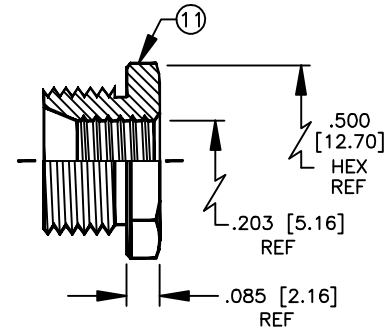
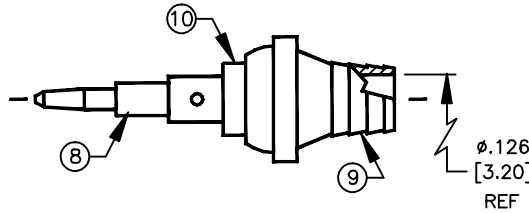
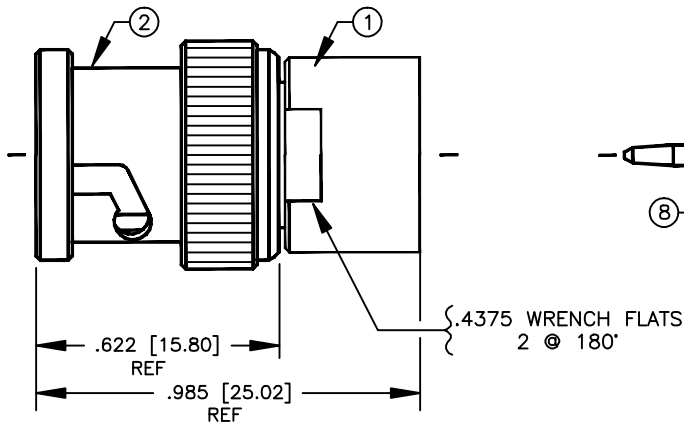


SPECIFICATION CONTROL DRAWING

THIS DRAWING CONTAINS INFORMATION PROPRIETARY TO RF INDUSTRIES, LTD. ANY UNAUTHORIZED USE OF THIS DRAWING IS EXPRESSLY PROHIBITED. ANY VIOLATION IS PUNISHABLE UNDER U.S. COPYRIGHT LAWS.

REV	DESCRIPTION	DWN	DATE	APPROVED
A	ENGINEERING RELEASE	PB	8/6/92	J. BENZ
B	CHANGE PIN/PIN ASSY CONFIG / ADD THREAD CALL OUTS	KMM	5/12/94	F. VIERA
C	CHANGE BODY OD \ CHANGE WRENCH FLAT DIMENSION	KMM	4/3/95	R. RICE



SPECIFICATIONS:

IMPEDANCE: 50 OHMS
 VOLTAGE RATING: 500 VOLTS RMS
 FREQUENCY RANGE: 0-4 GHz
 FOR RG-58, 58A, 58C, 141, 141A, 400/U, BELDEN 8219, 8240, 8259, 8262, 9201, 9203, 9310, 9311, COMM/SCOPE 0268 & CUSHCRAFT ULTRALINK CABLE

SUGGESTED STRIPPING INSTRUCTIONS

DIMENSIONS ARE IN INCHES AND [MILLIMETERS]	
UNLESS OTHERWISE NOTED TOLERANCES ARE: DECIMALS DIAMETER	
DRAWN K. MAXWELL	4/3/95
CHECKED	
ISSUED H. HILL	4/3/95
ORJ DRAWN P. BREAUX	1/4/93
APPROVALS	DATE

RF connectors
 DIVISION OF RF INDUSTRIES, LTD.

7610 MIRAMAR RD
 SAN DIEGO, CA 92126
 (619)549-6340
 (619)549-6345 FAX

RFB-1102-T

BNC MALE SOLDERLESS PLUG FOR RG-58/U

SIZE A	CABLE GROUP C	DWG NO. 8054C	REV C
SCALE: 2:1		CAD FILE 13ARC 192	SHEET 1 OF 1

ITEM	DESCRIPTION	QTY	MATERIAL	FINISH
11	IN LINE HEX NUT	1	BRASS	NICKEL
10	DIELECTRIC	1	PTFE	NONE
9	PIN ASSEMBLY	1	BRASS	NICKEL
8	PIN	1	BRASS	SILVER
7	WASHER	1	BRASS	NICKEL
6	SPRING	1	SK-5	NONE
5	SPLIT LOCK WASHER	1	BRASS	NICKEL
4	GASKET	1	S.I. RUBBER	BRT ORANGE
3	DIELECTRIC	1	PTFE	NONE
2	SHELL	1	BRASS	NICKEL
1	BODY	1	BRASS	NICKEL