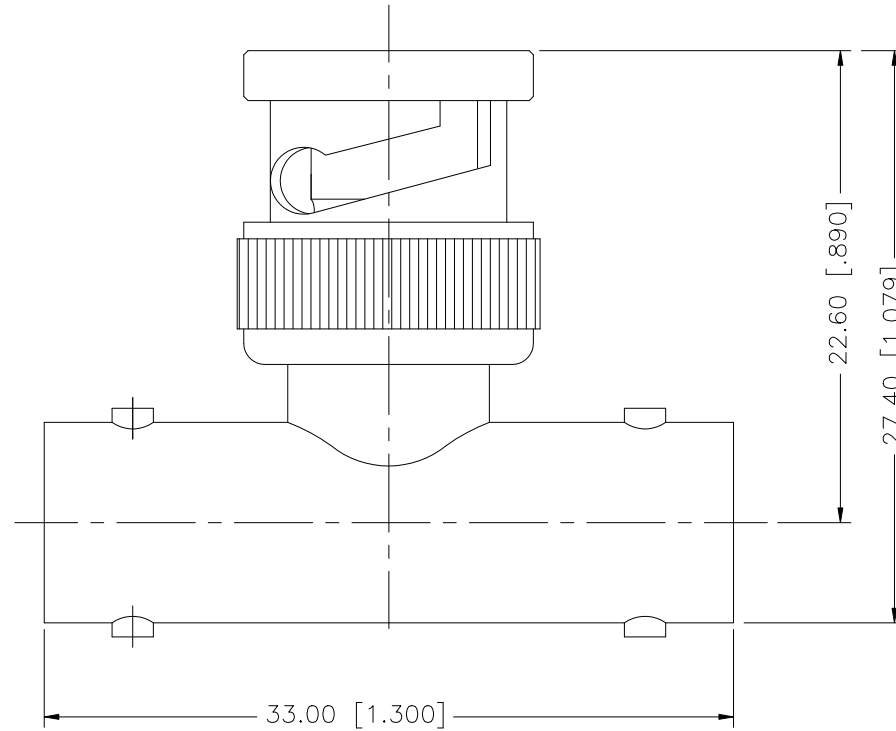


REV.	DATE	DESCRIPTION
NC	10/16/02	INITIAL RELEASE
A	05/01/04	UPDATE DRAWING FORMAT



8				<small>UNLESS OTHERWISE SPECIFIED DIMENSIONS ARE IN MILLIMETERS; DIMENSIONS IN [] ARE IN INCHES AND FOR CUSTOMER REFERENCE ONLY.</small> <small>UNLESS OTHERWISE SPECIFIED TOLERANCES FOR MILLIMETERS ARE:</small> 0.5 - 8mm ± 0.20mm 8 - 30mm ± 0.40mm 30 - 120mm ± 0.50mm <small>UNLESS OTHERWISE SPECIFIED TOLERANCES FOR INCHES ARE:</small> .020 - .315 = ± 0.007" .315 - 1.180 = ± 0.015" 1.180 - 4.724 = ± 0.020"	APPROVALS	DATE	<h1 style="color: blue;">Amphenol Connex</h1>		
7					DRAWN	G.R.S.		05/01/04	<small>PART DESCRIPTION</small> BNC "T" ADAPTER / JACK-PLUG-JACK 75ohm
6					CHECKED				
5					ISSUED				
4	CONTACT PIN	BRASS	GOLD		1	SHEET		1 OF 1	
3	CONTACT PIN	PHOS. BRONZE	GOLD	1	<small>PART NO.</small>			112462	
2	INSULATOR	DELRIN	NATURAL	1	<small>DWG. NO.</small>			112462.DWG	
1	BODY	DIE CAST	NICKEL	1	<small>REV.</small>			A	
	DESCRIPTION	MATERIAL	FINISH	QTY	<small>SIZE</small>			A	
					<small>SCALE</small>			NA	
				DO NOT SCALE DRAWING	<small>CAD FILE</small>			C:/112/112462.DWG	