

MATERIALS AND FINISHES:

ELECTRICAL

BODY: BERYLLIUM COPPER
OPTION 1:
 PLATED: GOLD (30μ-in MIN) OVER
 NICKEL (100μ-in MIN)
OPTION 2:
 PLATED GOLD (8μ-in MIN)
 OVER NICKEL PHOSPHOR (80μ-in MIN)
 OVER COPPER (20μ-in MIN)

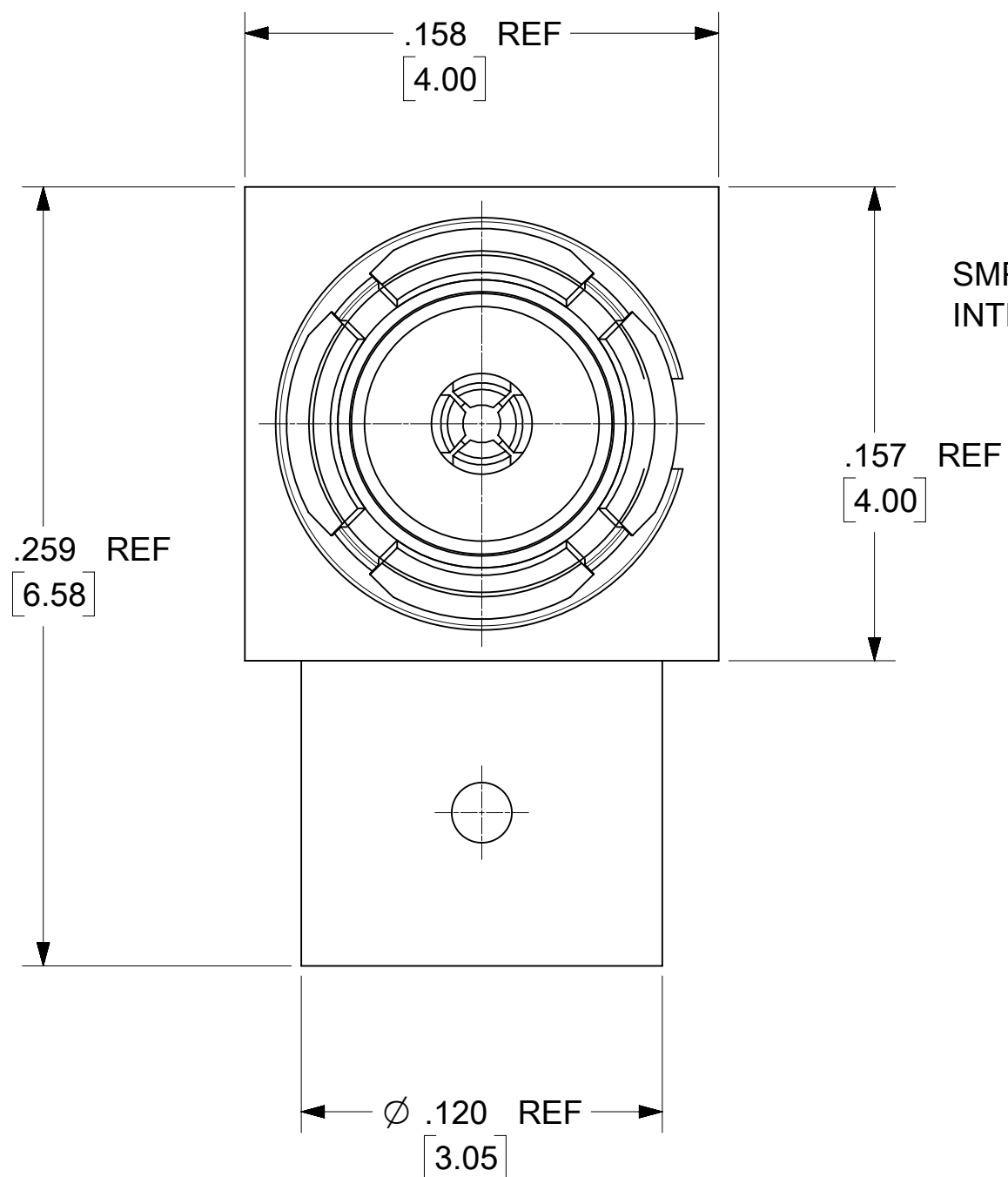
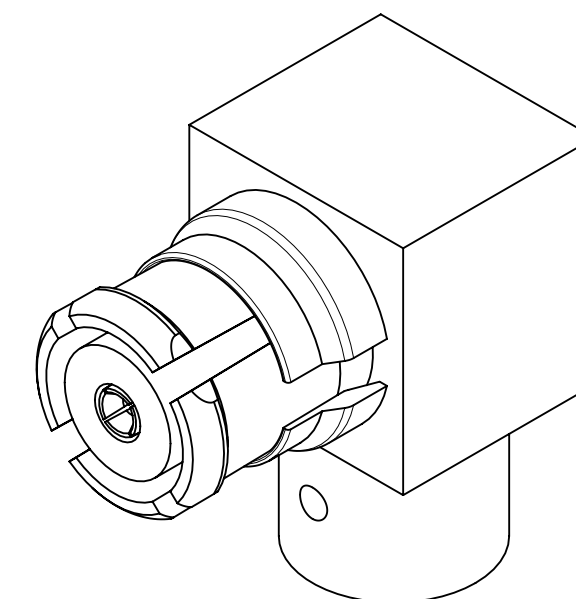
FREQUENCY RANGE
 DC-18 GHz
 VSWR: 1.35 MAX

CONTACT: BERYLLIUM COPPER
OPTION 1:
 PLATED: GOLD (30μ-in MIN) OVER
 NICKEL (100μ-in MIN)
OPTION 2:
 PLATED GOLD (8μ-in MIN)
 OVER NICKEL PHOSPHOR (80μ-in MIN)
 OVER COPPER (20μ-in MIN)

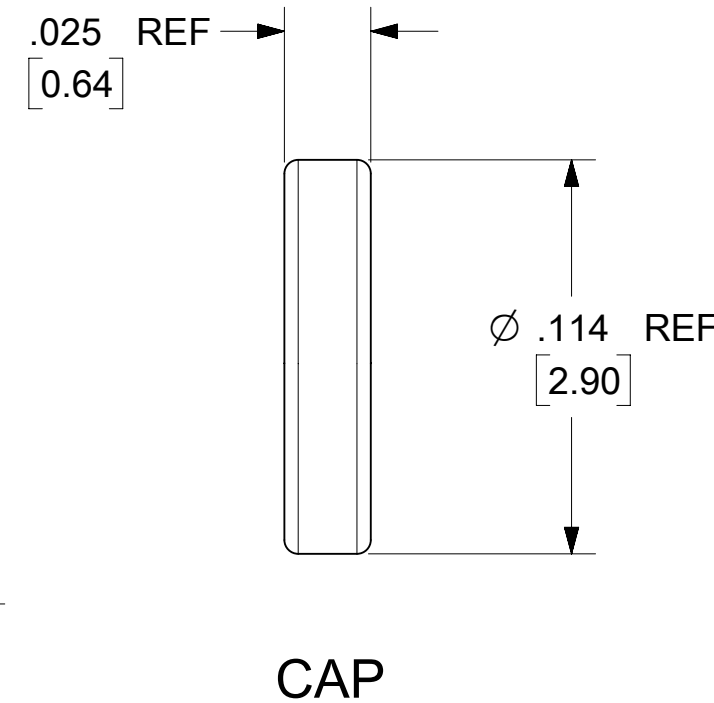
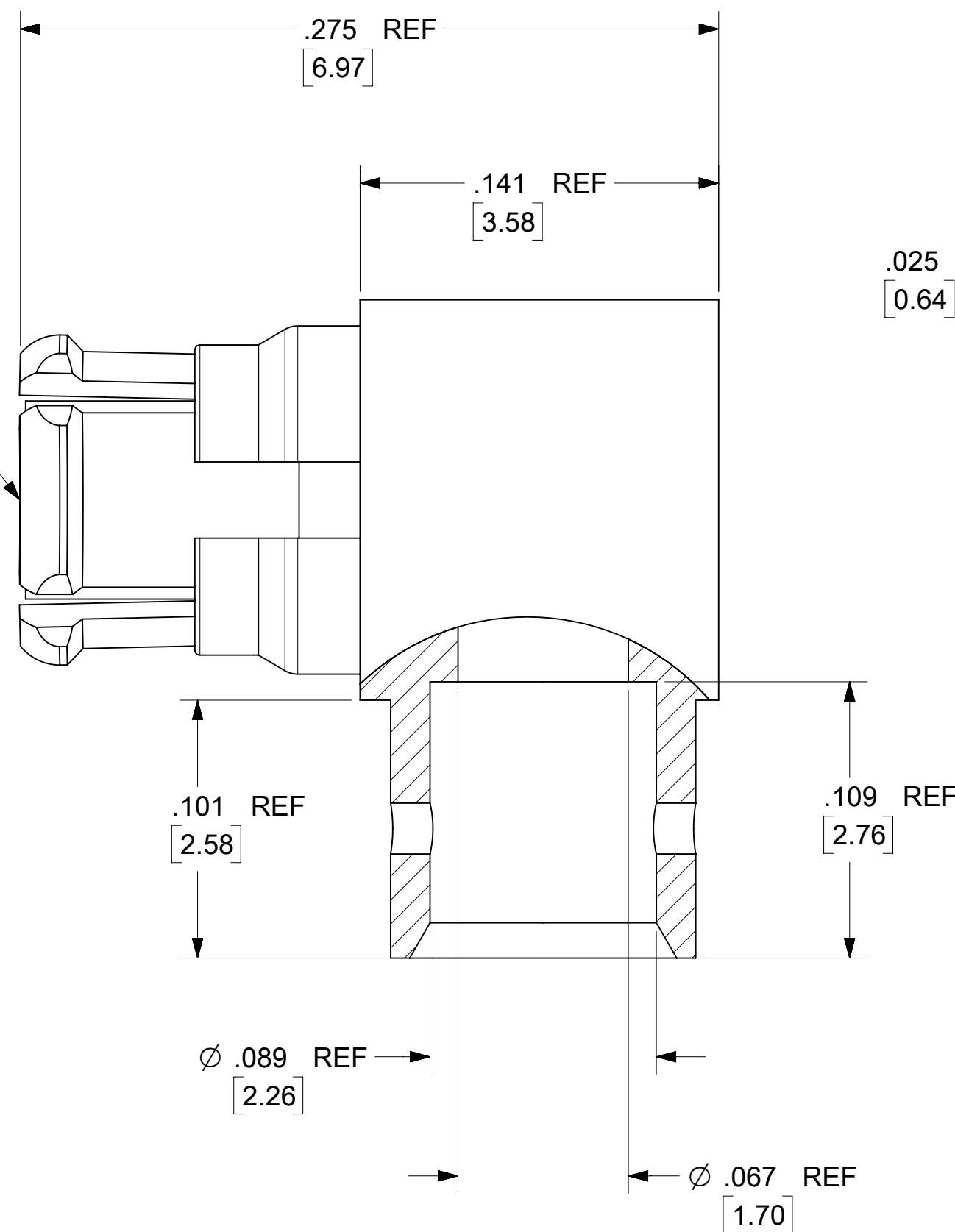
EMI RING: BERYLLIUM COPPER
OPTION 1:
 PLATED: GOLD (10μ-in MIN) OVER
 NICKEL (100μ-in MIN)
OPTION 2:
 PLATED GOLD (8μ-in MIN)
 OVER NICKEL PHOSPHOR (80μ-in MIN)
 OVER COPPER (20μ-in MIN)

CAP: BRASS
OPTION 1:
 PLATED: GOLD (30μ-in MIN) OVER
 NICKEL (100μ-in MIN)
OPTION 2:
 PLATED GOLD (8μ-in MIN)
 OVER NICKEL PHOSPHOR (80μ-in MIN)
 OVER COPPER (20μ-in MIN)

INSULATOR: PTFE



SMP JACK
INTERFACE



LABEL WITH EACH BAG
FOR 73406-7022

MOLEX P/N: 73406-7022
DATE: YYWW

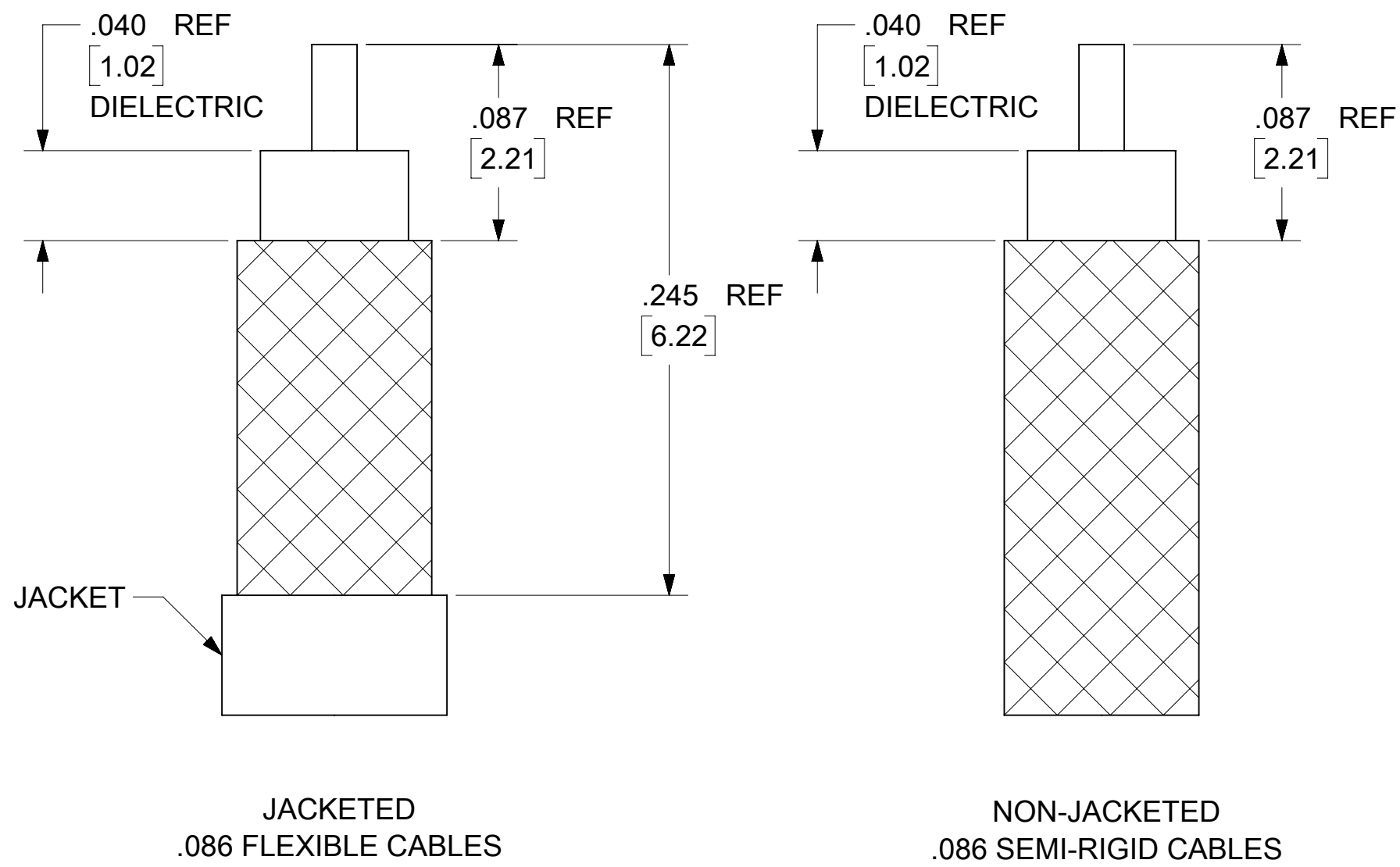
| | | | | | | |
|------------|--------------------|----------|----------|----------|-------------|--------------|
| 73406-7022 | SAME AS 73406-7021 | | | | ONE PER BAG | 895420470 |
| 73406-7021 | OPTION 2 | OPTION 2 | OPTION 2 | OPTION 2 | TRAY | 895420040 |
| 73406-7020 | OPTION 1 | OPTION 1 | OPTION 1 | OPTION 1 | | |
| PART NO. | BODY | CONTACT | EMI RING | CAP | PACKAGING | PACKING SPEC |

| | |
|--------------------------|-------------------------------------|
| PS-89675-3320 | ELECTRICAL / MECHANICAL PERFORMANCE |
| MIL-STD-348B, FIG. 326.1 | INTERFACE |
| SPECIFICATION | DESCRIPTION |

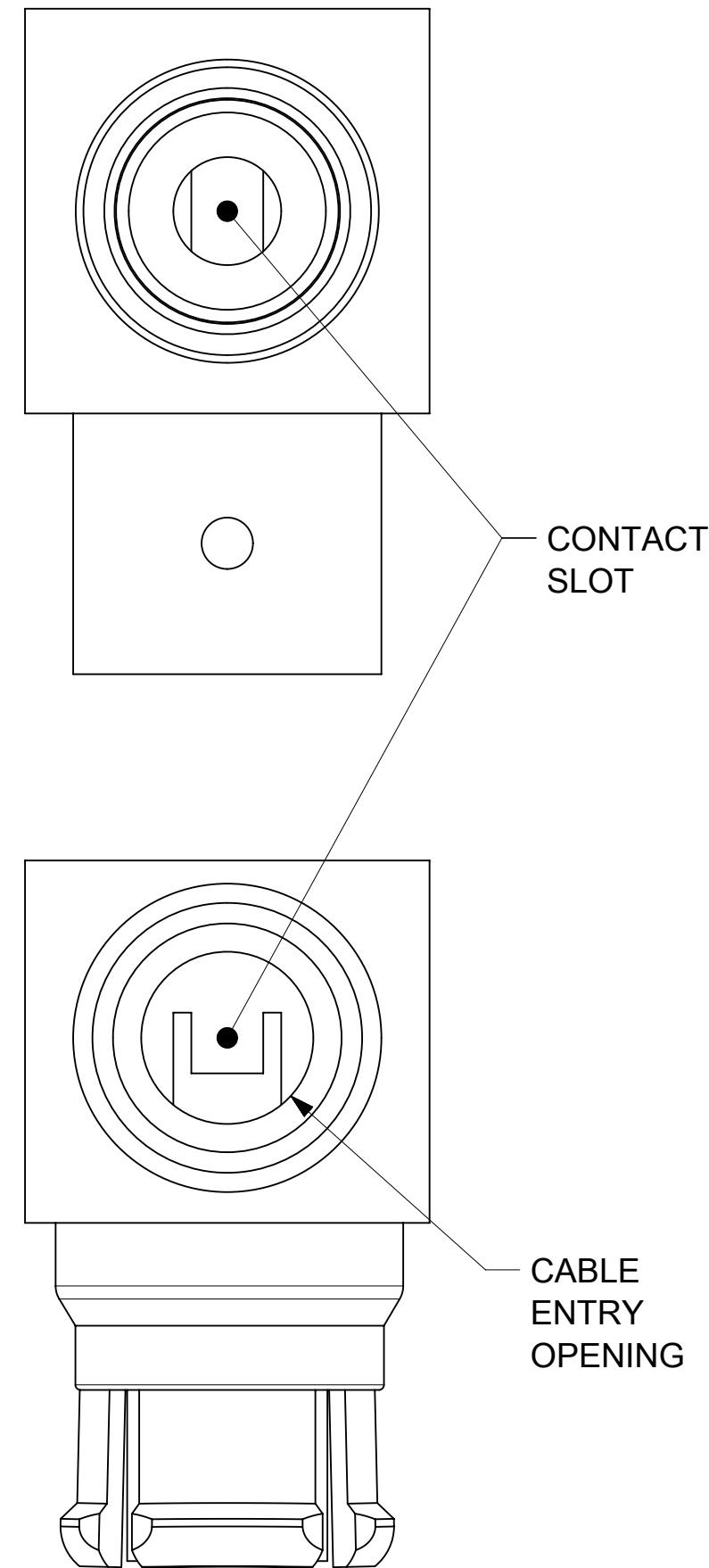
THIS DRAWING CONTAINS INFORMATION THAT IS PROPRIETARY TO MOLEX ELECTRONIC TECHNOLOGIES, LLC AND SHOULD NOT BE USED WITHOUT WRITTEN PERMISSION

| | | | | | |
|--|------------------------|---|--------------------------|------------------------------|----------|
| DIMENSION UNITS INCH/MM | SCALE NTS | CURRENT REV DESC: ADD 73406-7022 FOR SMALL PACK PER EWR15321-D | molex | | |
| GENERAL TOLERANCES (UNLESS SPECIFIED) | | | | | |
| | MM | INCH | PRODUCT CUSTOMER DRAWING | | |
| 4 PLACES ± | | | DOCUMENT NUMBER | | |
| 3 PLACES ± | | ± 0.01 | SD-73406-702 | | |
| 2 PLACES ± | 0.25 | | DOC TYPE | DOC PART | REVISION |
| 1 PLACE ± | | | PSD | 001 | A3 |
| 0 PLACES ± | | | SHEET NUMBER | | |
| ANGULAR TOL ± 2.0° | | | 1 OF 2 | | |
| DRAFT WHERE APPLICABLE MUST REMAIN WITHIN DIMENSIONS | THIRD ANGLE PROJECTION | DRAWING C-SIZE | SERIES 73406 | MATERIAL NUMBER SEE TABLE | CUSTOMER |

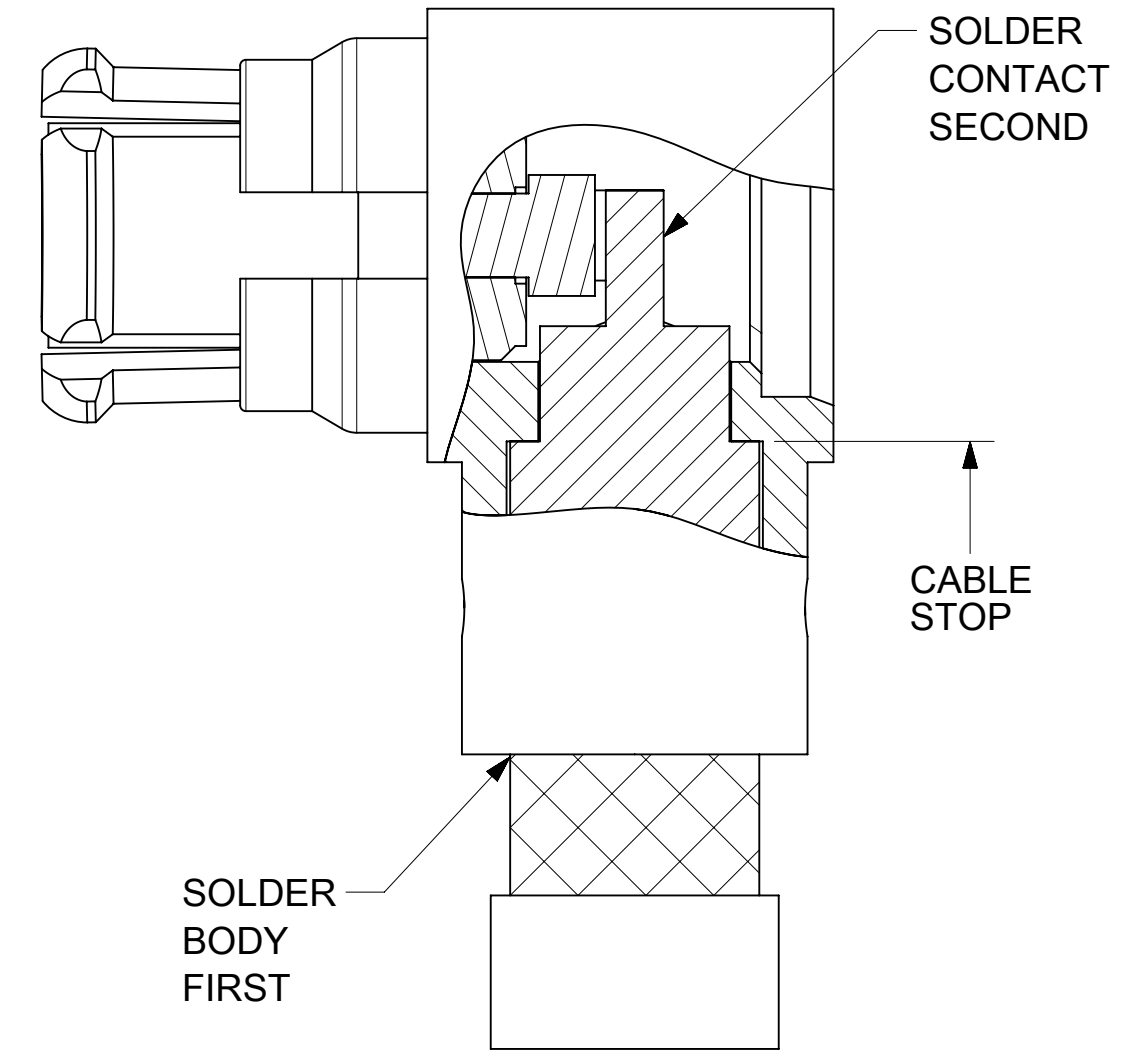
1 STRIP JACKETED OR NON-JACKETED CABLE AS SHOWN.



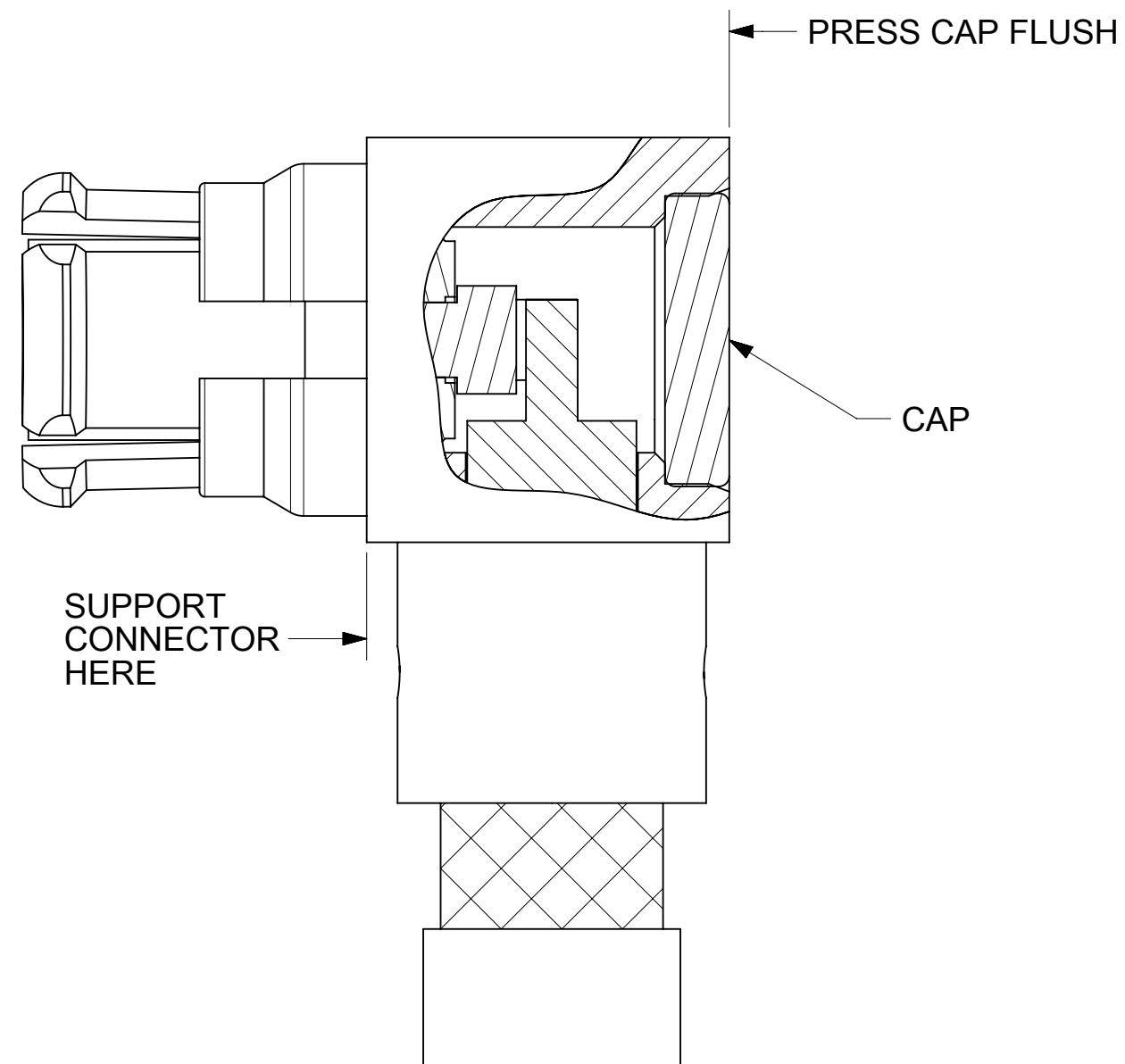
2 IF NECESSARY, ALIGN CONTACT SLOT WITH CABLE ENTRY OPENING AS SHOWN.



3 INSERT CABLE INTO CABLE ENTRY OPENING UNTIL CABLE STOP. SOLDER THE CABLE AND BODY, THEN CABLE AND CONTACT WHERE SHOWN.



4 SUPPORT CONNECTOR ON SURFACE SHOWN AND PRESS CAP FLUSH WITH REAR SURFACE OF BODY.



| | | | | | | | | | |
|---|---|---------------------|--------|--|--|--------------|--|--------------|--|
| THIS DRAWING CONTAINS INFORMATION THAT IS PROPRIETARY TO MOLEX ELECTRONIC TECHNOLOGIES, LLC AND SHOULD NOT BE USED WITHOUT WRITTEN PERMISSION | | | | | | | | | |
| DIMENSION UNITS INCH/MM | | SCALE NTS | | CURRENT REV DESC: ADD 73406-7022 FOR SMALL PACK PER EWR15321-D | | | | | |
| GENERAL TOLERANCES (UNLESS SPECIFIED) | | | | | | | | | |
| | | MM | INCH | | | | | | |
| 4 PLACES | ± | | ± | | | | | | |
| 3 PLACES | ± | | ± 0.01 | | | | | | |
| 2 PLACES | ± | 0.25 | ± | | | | | | |
| 1 PLACE | ± | | ± | | | | | | |
| 0 PLACES | ± | | ± | | | | | | |
| ANGULAR TOL ± 2.0° | | | | | | | | | |
| DRAFT WHERE APPLICABLE MUST REMAIN WITHIN DIMENSIONS | | | | THIRD ANGLE PROJECTION | | DRAWING | | SERIES | |
| | | | | C-SIZE | | 73406 | | | |
| | | | | EC NO: 718352 | | DRWN: CWEI02 | | 2022/08/17 | |
| | | | | CHK'D: YCHENG | | APPR: YCHENG | | 2022/08/23 | |
| | | | | INITIAL REVISION: | | DRWN: BSHAH | | 2015/10/02 | |
| | | | | APPR: AROBERTSON | | SERIES | | 2015/10/09 | |
| | | | | DOCUMENT NUMBER | | DOC TYPE | | DOC PART | |
| | | | | SD-73406-702 | | PSD | | 001 | |
| | | | | MATERIAL NUMBER | | CUSTOMER | | SHEET NUMBER | |
| | | | | SEE TABLE | | | | 2 OF 2 | |

molex

SMP JACK RA FOR 086 SIZE CABLES
SMP - JC EWR-10580-A

PRODUCT CUSTOMER DRAWING

DOCUMENT NUMBER: SD-73406-702
DOC TYPE: PSD
DOC PART: 001
REVISION: A3

SEE TABLE