

MATERIALS AND FINISHES:

BODY, JAM NUT: BRASS
FINISH: SEE TABLE

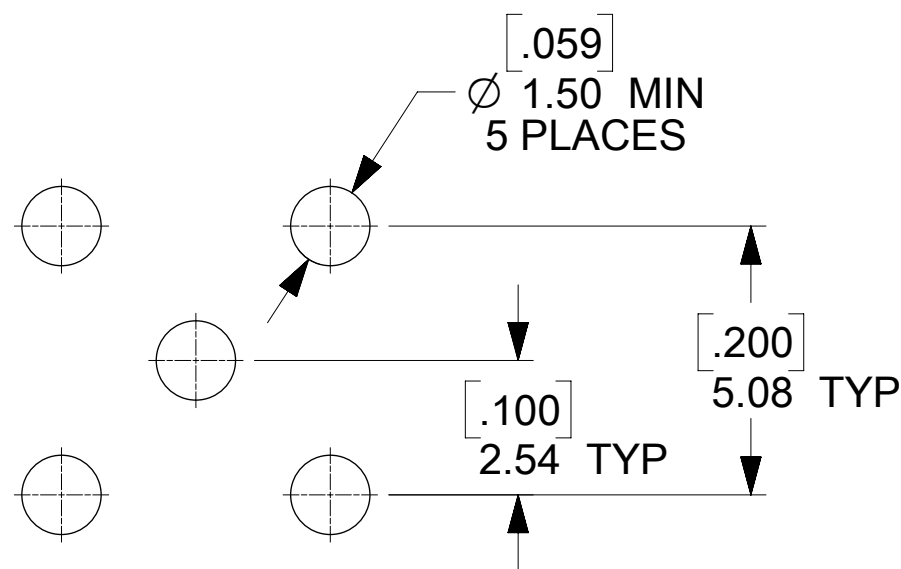
CENTER CONTACT: BERYLLIUM COPPER
PLATED GOLD

INSULATOR: TEFLON

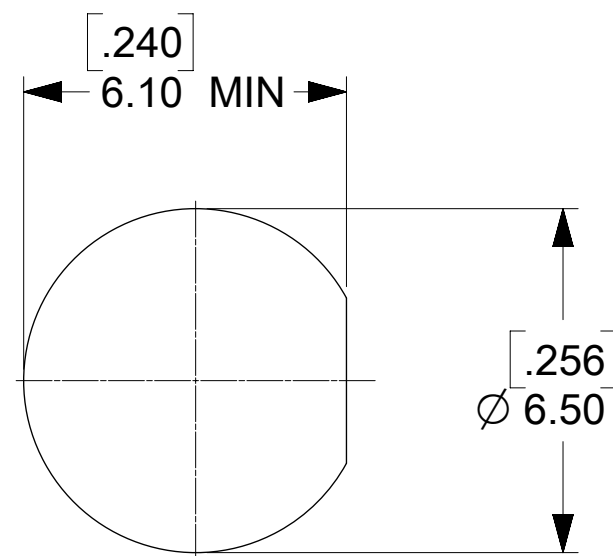
LOCKWASHER: PHOSPHOR BRONZE
FINISH: SEE TABLE

ELECTRICAL REQUIREMENTS:

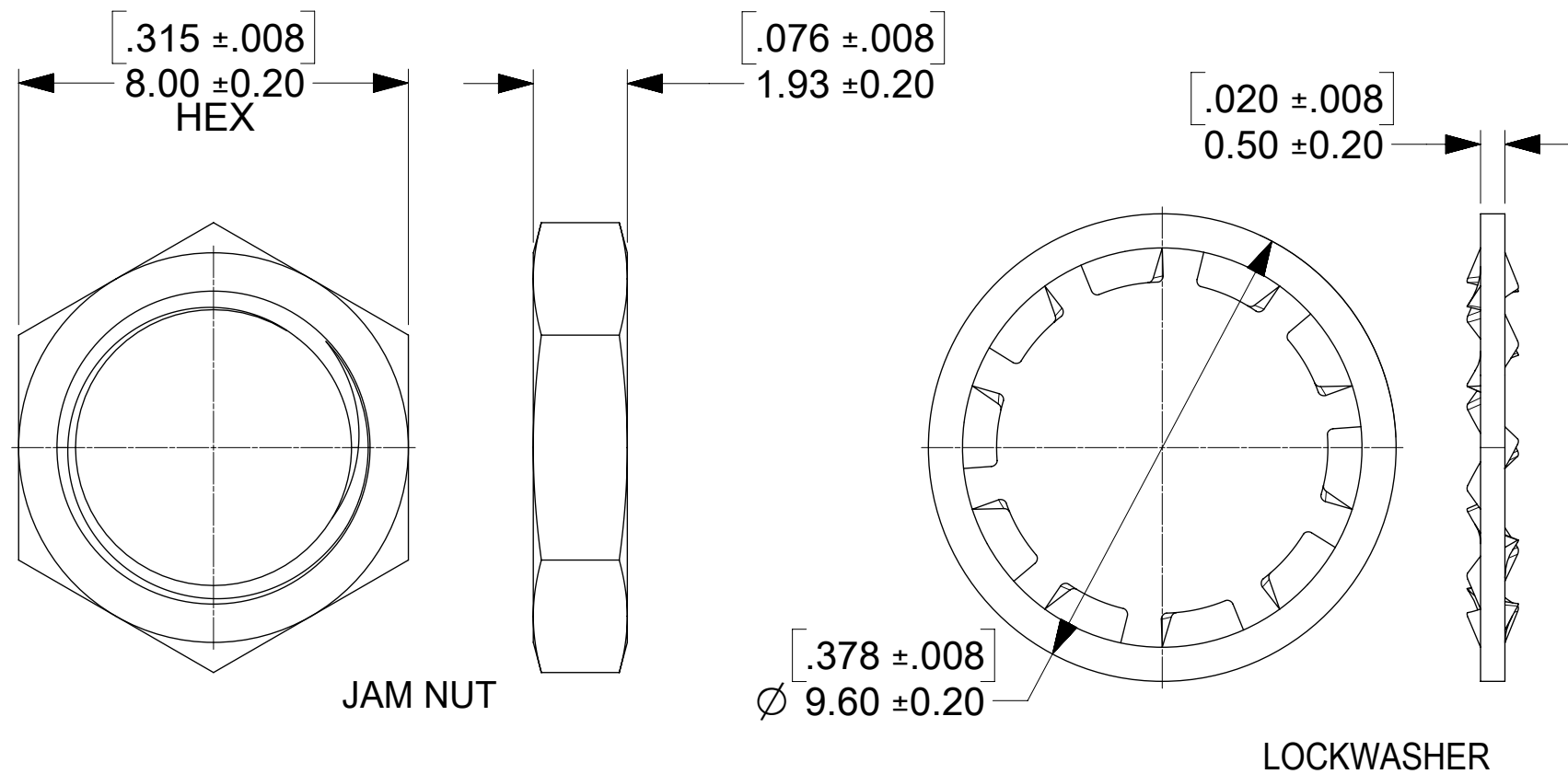
- VOLTAGE STANDING WAVE RATIO
 - 1.1(MAX) @0-6GHz.
 - 1.5(MAX) @6-12GHz.
 - 1.8(MAX) @12-18GHz.
- RF INSERTION LOSS:
 - 0.1(MAX) @0-6GHz.
 - 0.4(MAX) @6-12GHz.
 - 0.7(MAX) @12-18GHz.



RECOMMENDED PCB LAYOUT



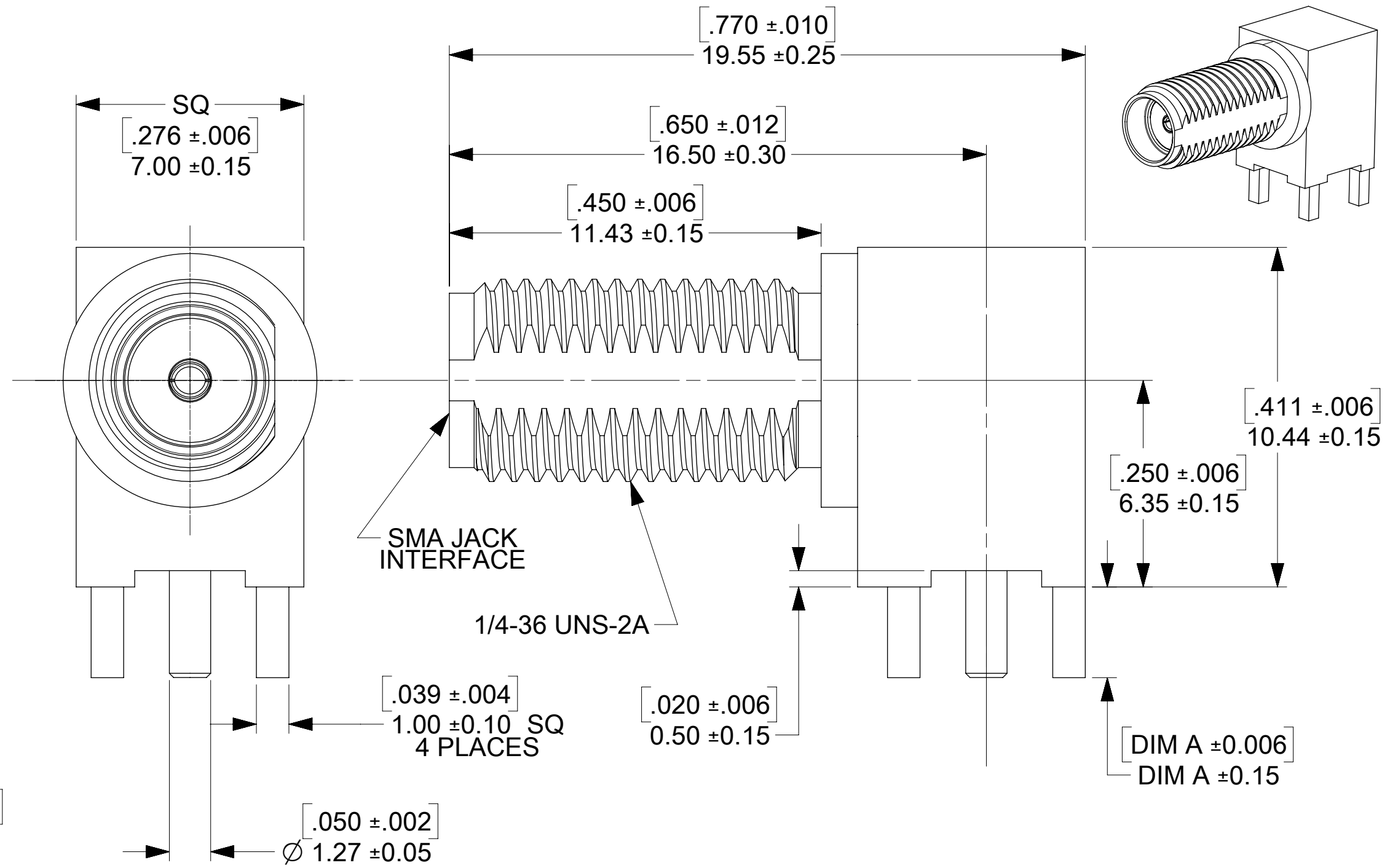
RECOMMENDED PANEL CUTOUT



JAM NUT

LOCKWASHER

PS-89675-368	SOLDER SPEC PROFILE
PS-89675-346	ELECTRO/MECH PERFORM.
SPECIFICATION	DESCRIPTION



SEE SD-73251-496 FOR PART NO. CONTINUATION

73251-2209	GOLD FLASH / STANDARD TRAY	3.94	.155
73251-2208	GOLD FLASH/STANDARD TRAY W/O WASHER AND NUT	3.94	.155
73251-2207	73251-2201 PACKAGED ONE PER BAG	2.79	.110
73251-2206	SAME AS 73251-2201 EXCEPT COMMERCIAL CONTACT	2.79	.110
73251-2205	SAME AS 73251-2200 EXCEPT COMMERCIAL CONTACT	2.79	.110
73251-2204	GOLD FLASH/STANDARD TRAY W/O WASHER AND NUT	2.79	.110
73251-2203	GOLD FLASH / STANDARD TRAY (54 CAVITY)	2.79	.110
73251-2202	73251-2201 PACKAGED IN SMALL TRAY (20 CAVITY)	2.79	.110
73251-2201	GOLD / STANDARD TRAY	2.79	.110
73251-2200	NICKEL / STANDARD TRAY	2.79	.110
PART NO.	PLATING (BODY, NUT, LOCKWASHER) AND PACKAGING	mm	IN
		DIM A	

FUNCTIONAL SYMBOLS	THIS DRAWING CONTAINS INFORMATION THAT IS PROPRIETARY TO MOLEX ELECTRONIC TECHNOLOGIES, LLC AND SHOULD NOT BE USED WITHOUT WRITTEN PERMISSION			
	DIMENSION UNITS	SCALE	CURRENT REV DESC: ADD SOLDER SPEC NO. PER EWR14716-B	
$\nabla_A = 0$	mm	NTS		
$\nabla_C = 0$	GENERAL TOLERANCES (UNLESS SPECIFIED)			
	ANGULAR TOL ± °			
$\nabla_P = 0$	4 PLACES	±	EC NO: 675413	
	3 PLACES	±	DRWN: CWEI02 2021/08/24	
DIVISIONAL SYMBOLS	2 PLACES	±	CHK'D: YCHENG 2021/08/26	
	1 PLACE	±	APPR: YCHENG 2021/08/26	
0 PLACES	±	INITIAL REVISION:		
DRAFT WHERE APPLICABLE MUST REMAIN WITHIN DIMENSIONS		THIRD ANGLE PROJECTION	DRAWING	SERIES
			C-SIZE	73251
DOCUMENT STATUS		DOC TYPE	DOC PART	REVISION
P1	RELEASE DATE	2021/08/26	10:31:44	
		SD-73251-220	PSD	000 D14
DOCUMENT NUMBER		CUSTOMER	SHEET NUMBER	
SEE TABLE		GENERAL MARKET	1 OF 1	

molex

SMA JACK, R/A PCB 50 OHM
SMA-J/RA/PCB EWR-2144

PRODUCT CUSTOMER DRAWING

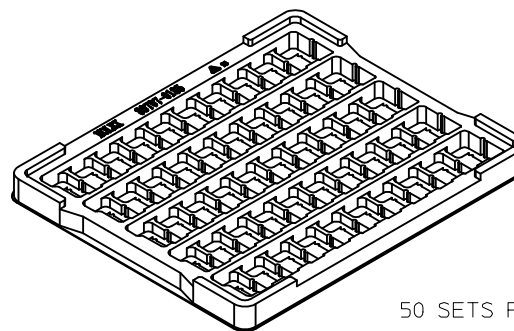
SD-73251-220

PSD 000 D14

SEE TABLE GENERAL MARKET 1 OF 1

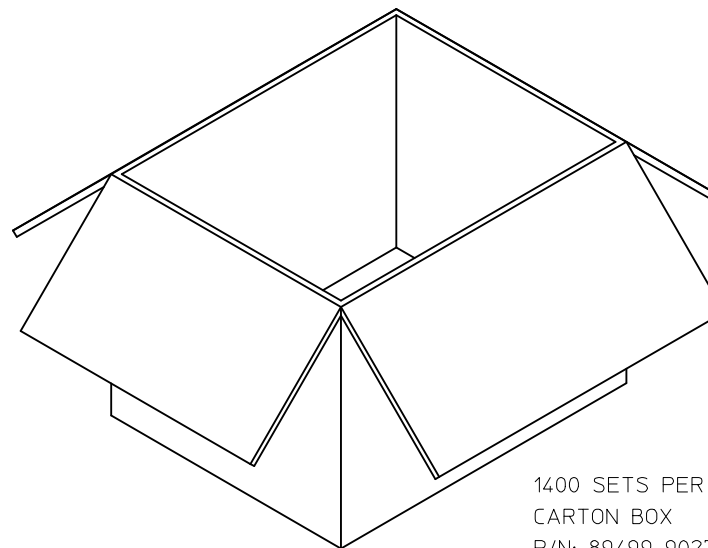


P/N: 73251-2200 / 73251-2201
 73251-2205 / 73251-2206
 73251-2208 / 73251-2209



50 SETS PER TRAY
 TRAY P/N: 89707-0185

FOR 73251-2200, 73251-2201,
 73251-2205, 73251-2206,
 73251-2208, AND 73251-2209

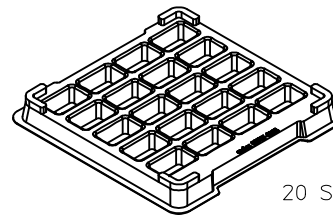


1400 SETS PER OUTER
 CARTON BOX
 P/N: 89499-9027

CHG NEW RELEASE PER RF13-E131 EC NO: URF2013-0734 DRAWN BY: RYEH 2013/06/28 CHKD: KERRIE APPR: MHUANG 2013/07/26 REV: A	QUALITY SYMBOLS 	GENERAL TOLERANCES (UNLESS SPECIFIED) <table border="1"> <tr> <td></td> <td>mm</td> <td>INCH</td> </tr> <tr> <td>4 PLACES</td> <td>± .005</td> <td>± .0004</td> </tr> <tr> <td>3 PLACES</td> <td>± .005</td> <td>± .0004</td> </tr> <tr> <td>2 PLACES</td> <td>± .005</td> <td>± .0004</td> </tr> <tr> <td>1 PLACE</td> <td>± .005</td> <td>± .0004</td> </tr> <tr> <td>0 PLACE</td> <td>± .005</td> <td>± .0004</td> </tr> </table>		mm	INCH	4 PLACES	± .005	± .0004	3 PLACES	± .005	± .0004	2 PLACES	± .005	± .0004	1 PLACE	± .005	± .0004	0 PLACE	± .005	± .0004	DIMENSION STYLE MM/IN DRAWN BY: RYEH DATE: 2013/06/28 CHECKED BY: KERRIE DATE: 2013/06/28 APPROVED BY: MHUANG DATE: 2013/07/26	SCALE 2.5:1 DESIGN UNITS METRIC 	TITLE SMA JACK R/A PCB TH 50 OHMS SMA-J/PCB molex	MATERIAL NO. SEE TABLE DOCUMENT NO. SD-73251-220-PKG SHEET NO. 1 OF 4
		mm	INCH																					
	4 PLACES	± .005	± .0004																					
	3 PLACES	± .005	± .0004																					
2 PLACES	± .005	± .0004																						
1 PLACE	± .005	± .0004																						
0 PLACE	± .005	± .0004																						
ANGULAR ± 2° DRAFT WHERE APPLICABLE MUST REMAIN WITHIN DIMENSIONS		THIS DRAWING CONTAINS INFORMATION THAT IS PROPRIETARY TO MOLEX INCORPORATED AND SHOULD NOT BE USED WITHOUT WRITTEN PERMISSION																						

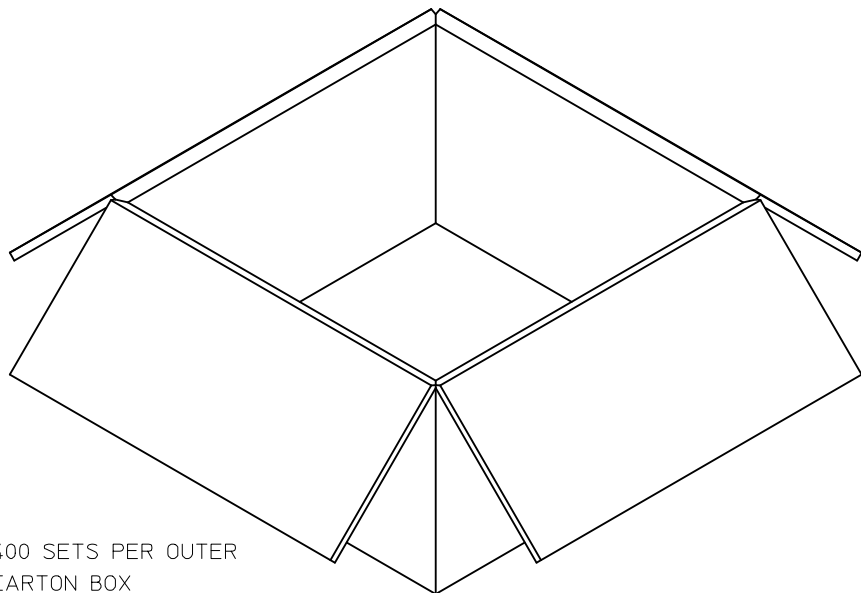


P/N: 73251-2202

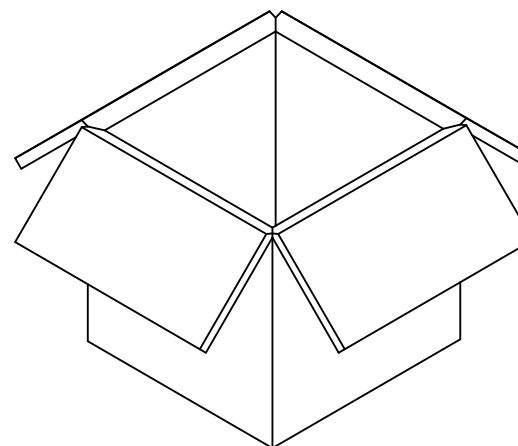


20 SETS PER TRAY
TRAY P/N: 89707-0308

FOR 73251-2202 ONLY



400 SETS PER OUTER
CARTON BOX
P/N: 96707-0002



200 SETS PER INNER
CARTON BOX
P/N: 96707-0005

CHG:SEE SHEET 1
EC NO: URF2013-0734
DRAWN:RYEH 2013/06/28
CHKD:
APPR:MHUANG 2013/07/26

REV	DESCRIPTION	QUALITY SYMBOLS
A		▽=0
		▽=0
		▽=0

GENERAL TOLERANCES (UNLESS SPECIFIED)

	mm	INCH
4 PLACES	± .005	± .0005
3 PLACES	± .005	± .0005
2 PLACES	± .005	± .0005
1 PLACE	± .005	± .0005
0 PLACE	± .005	± .0005

ANGULAR ± 2°

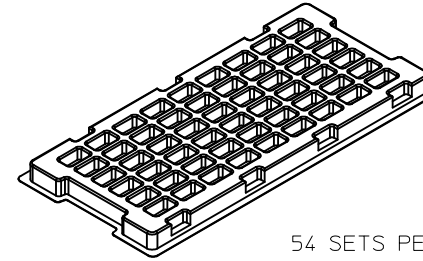
DRAFT WHERE APPLICABLE MUST REMAIN WITHIN DIMENSIONS

DIMENSION STYLE		SCALE	DESIGN UNITS	THIRD ANGLE PROJECTION
MM/IN		2:1	METRIC	
DRAWN BY	DATE	TITLE SMA JACK R/A PCB TH 50 OHMS SMA-J/PCB molex		
CHECKED BY	DATE			
APPROVED BY	DATE			
MATERIAL NO.	DATE			
SEE TABLE		DOCUMENT NO.	SHEET NO.	
		SD-73251-220-PKG	2 OF 4	
THIS DRAWING CONTAINS INFORMATION THAT IS PROPRIETARY TO MOLEX INCORPORATED AND SHOULD NOT BE USED WITHOUT WRITTEN PERMISSION				

DIMENSION STYLE		SCALE	DESIGN UNITS	THIRD ANGLE PROJECTION
MM/IN		2:1	METRIC	
DRAWN BY	DATE	TITLE SMA JACK R/A PCB TH 50 OHMS SMA-J/PCB molex		
CHECKED BY	DATE			
APPROVED BY	DATE			
MATERIAL NO.	DATE			
SEE TABLE		DOCUMENT NO.	SHEET NO.	
		SD-73251-220-PKG	2 OF 4	
THIS DRAWING CONTAINS INFORMATION THAT IS PROPRIETARY TO MOLEX INCORPORATED AND SHOULD NOT BE USED WITHOUT WRITTEN PERMISSION				

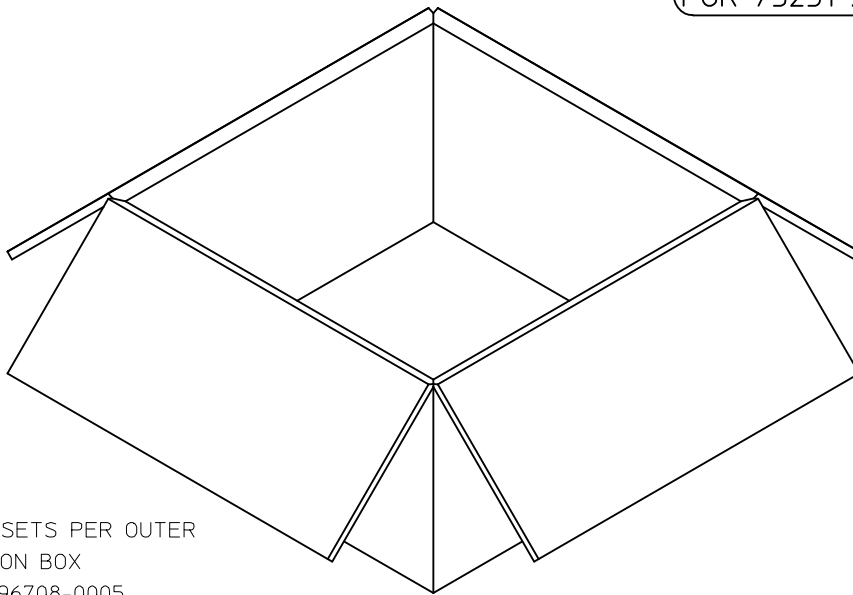


P/N: 73251-2203 / 73251-2204

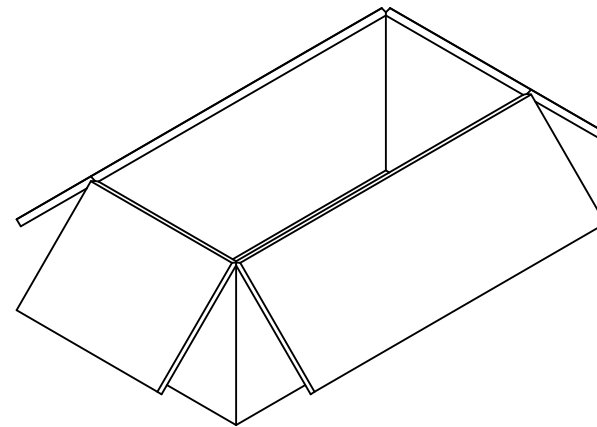


54 SETS PER TRAY
TRAY P/N: 89707-0220

FOR 73251-2203 AND 73251-2204



1080 SETS PER OUTER
CARTON BOX
P/N: 96708-0005

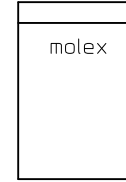


540 SETS PER INNER
CARTON BOX
P/N: 96707-0001

CHG:SEE SHEET 1 EC NO: URF2013-0734 DRAWN: RYEH 2013/06/28 CHKD: APPR: MHUANG 2013/07/26 REV:	QUALITY SYMBOLS	GENERAL TOLERANCES (UNLESS SPECIFIED)	DIMENSION STYLE	SCALE	DESIGN UNITS	THIRD ANGLE PROJECTION
	▽=0	mm INCH	MM/IN	2:1	METRIC	
	▽=0	4 PLACES ± --- ± ---	DRAWN BY DATE	TITLE		
	▽=0	3 PLACES ± --- ± ---	RYEH 2013/06/28	SMA JACK R/A PCB TH		
	2 PLACES ± --- ± ---	CHECKED BY DATE	50 OHMS			
	1 PLACE ± --- ± ---	KERRIE 2013/06/28	SMA-J/PCB			
	0 PLACE ± --- ± ---	APPROVED BY DATE	molex			
	ANGULAR ± 2 °	MHUANG 2013/07/26	MATERIAL NO.	DOCUMENT NO.	SHEET NO.	
	DRAFT WHERE APPLICABLE MUST REMAIN WITHIN DIMENSIONS	SEE TABLE	SD-73251-220-PKG	3 OF 4		
		SIZE C	THIS DRAWING CONTAINS INFORMATION THAT IS PROPRIETARY TO MOLEX INCORPORATED AND SHOULD NOT BE USED WITHOUT WRITTEN PERMISSION			

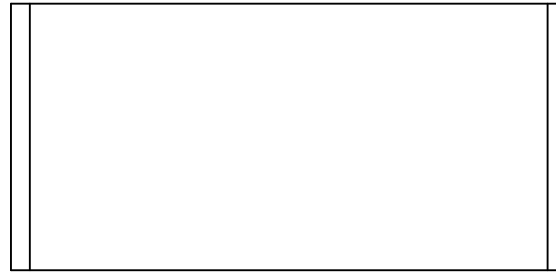


P/N: 73251-2207

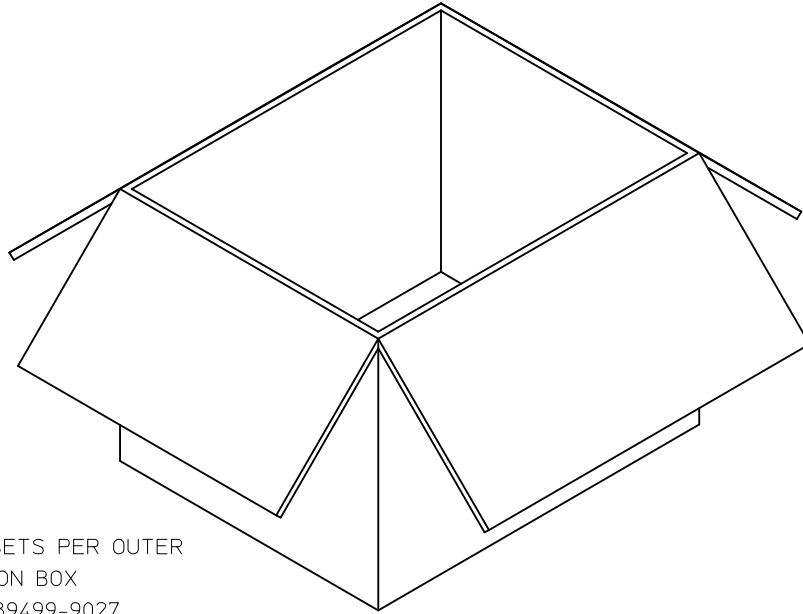


1 SET PER POLYBAG
P/N: 89707-0317

FOR 73251-2207 ONLY



50 SETS PER POLYBAG
P/N: 89707-0174



500 SETS PER OUTER
CARTON BOX
P/N: 89499-9027



CHG:SEE SHEET 1 EC NO: URF2013-0734 DRAWN: RYEH CHKD: MUYEH APPR: MHUANG 2013/06/28 2013/07/26	QUALITY SYMBOLS	GENERAL TOLERANCES (UNLESS SPECIFIED)	DIMENSION STYLE	SCALE	DESIGN UNITS	THIRD ANGLE PROJECTION
	▽=0	mm INCH	MM/IN	1:1	METRIC	
	▽=0	4 PLACES ± --- ± ---	DRAWN BY DATE	TITLE		
	▽=0	3 PLACES ± --- ± ---	RYEH 2013/06/28	SMA JACK R/A PCB TH		
	2 PLACES ± --- ± ---	CHECKED BY DATE	50 OHMS			
	1 PLACE ± --- ± ---	KERRIE 2013/06/28	SMA-J/PCB			
	0 PLACE ± --- ± ---	APPROVED BY DATE	molex			
	ANGULAR ± 2 °	MHUANG 2013/07/26	MATERIAL NO.	DOCUMENT NO.	SHEET NO.	
		DRAFT WHERE APPLICABLE MUST REMAIN WITHIN DIMENSIONS	SEE TABLE	SD-73251-220-PKG	4 OF 4	
			THIS DRAWING CONTAINS INFORMATION THAT IS PROPRIETARY TO MOLEX INCORPORATED AND SHOULD NOT BE USED WITHOUT WRITTEN PERMISSION			

MATERIALS AND FINISHES:

BODY, JAM NUT: BRASS
FINISH: SEE TABLE

CENTER CONTACT: BERYLLIUM COPPER
PLATED GOLD

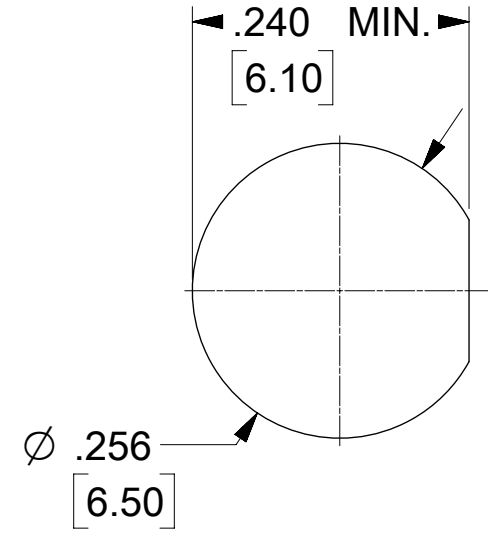
INSULATOR: TEFLON

LOCK WASHER: PHOSPHOR BRONZE
FINISH: SEE TABLE

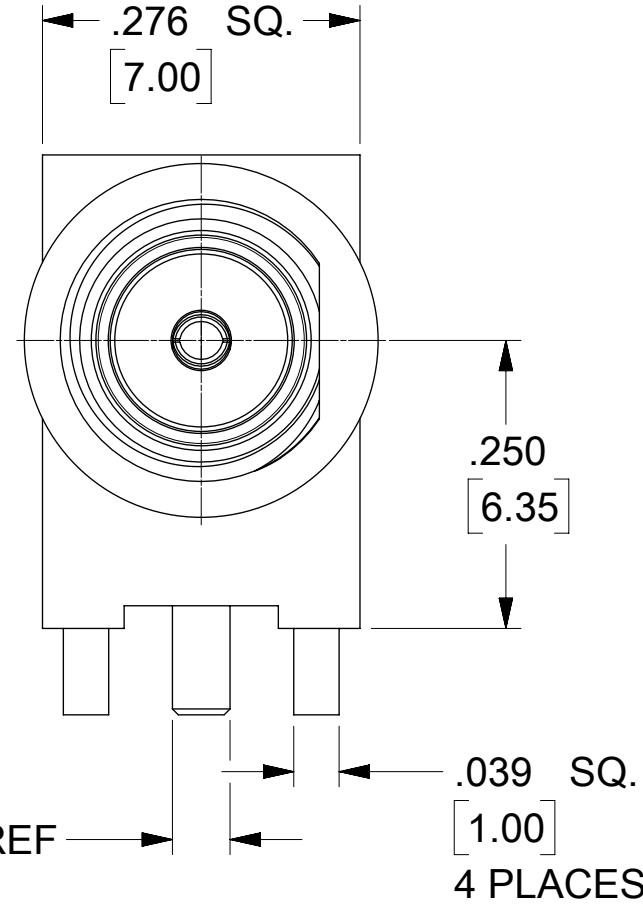
PACKAGING: SEE TABLE

ELECTRICAL REQUIREMENTS:

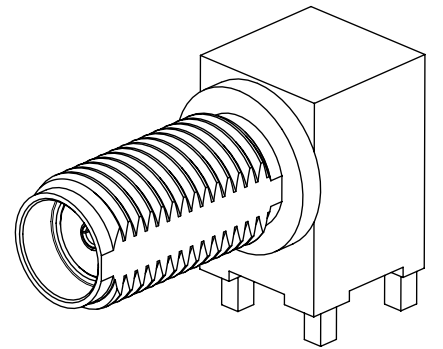
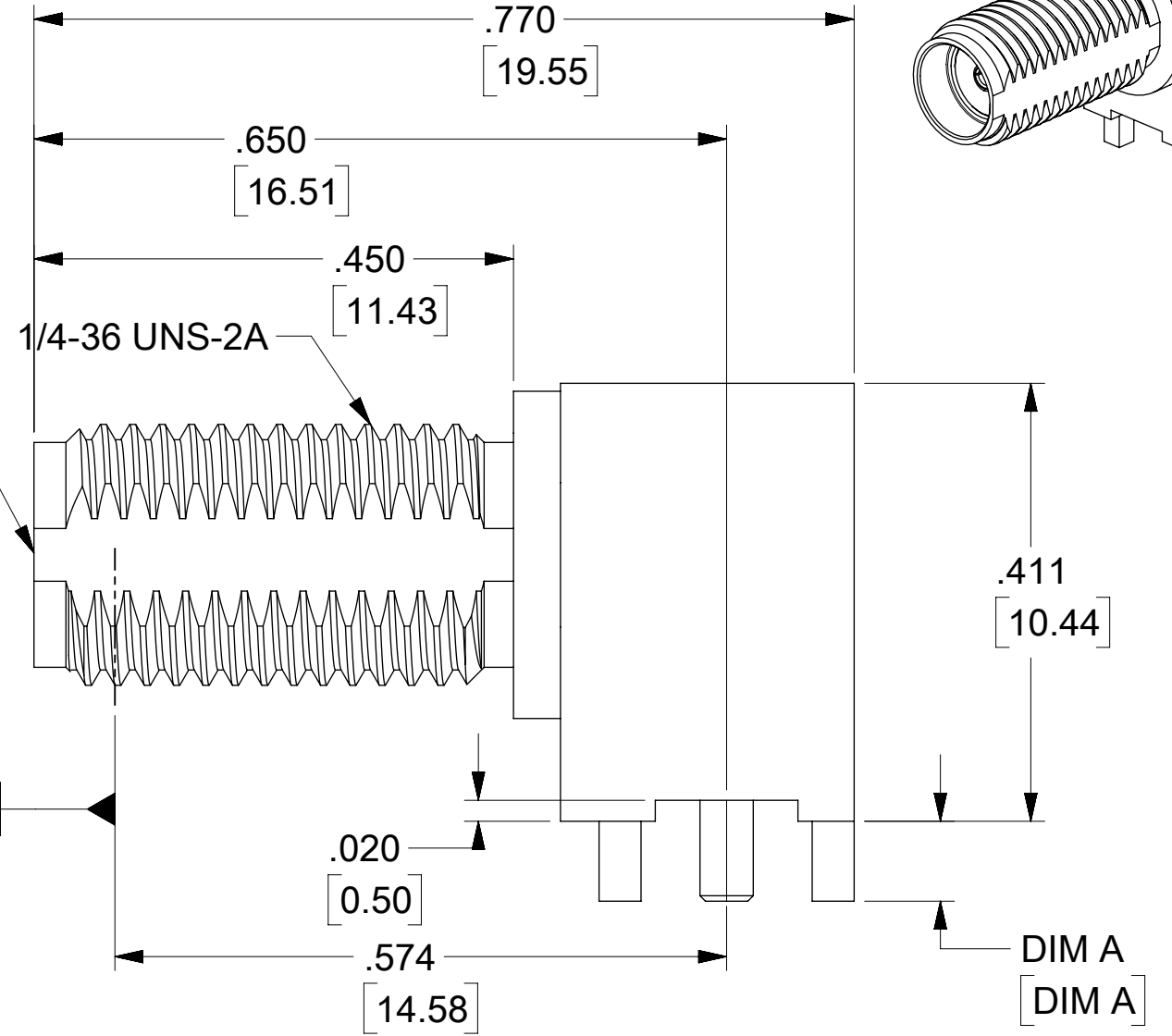
- VOLTAGE STANDING WAVE RATIO
 - 1.1(MAX) @0-6GHz.
 - 1.5(MAX) @6-12GHz.
 - 1.8(MAX) @12-18GHz.
- RF INSERTION LOSS:
 - 0.1(MAX) @0-6GHz.
 - 0.4(MAX) @6-12GHz.
 - 0.7(MAX) @12-18GHz.



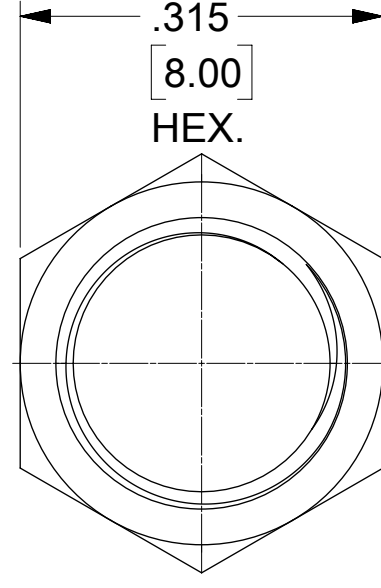
PANEL CUTOUT
.135 / 3.42 MAX THICKNESS



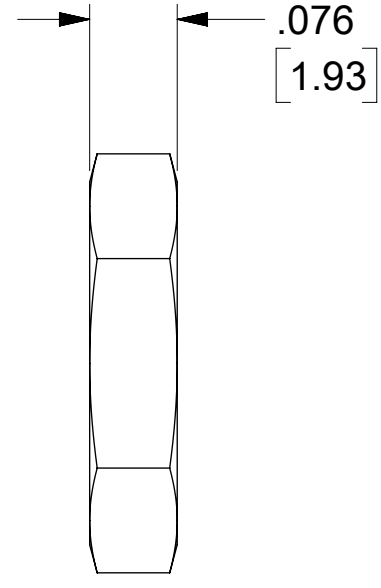
SMA JACK INTERFACE



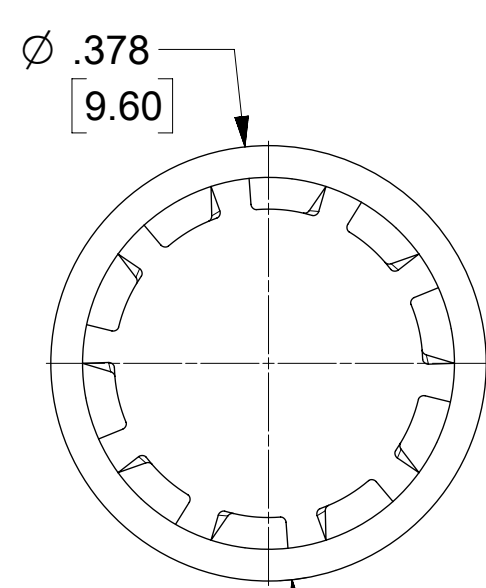
73251-4967	73251-2201 TAPE AND REEL
73251-4966	BAG
73251-4965	TRAY
73251-4964	
73251-4963	
73251-4962	
73251-4961	
73251-4960	
PART NO.	PACKAGING



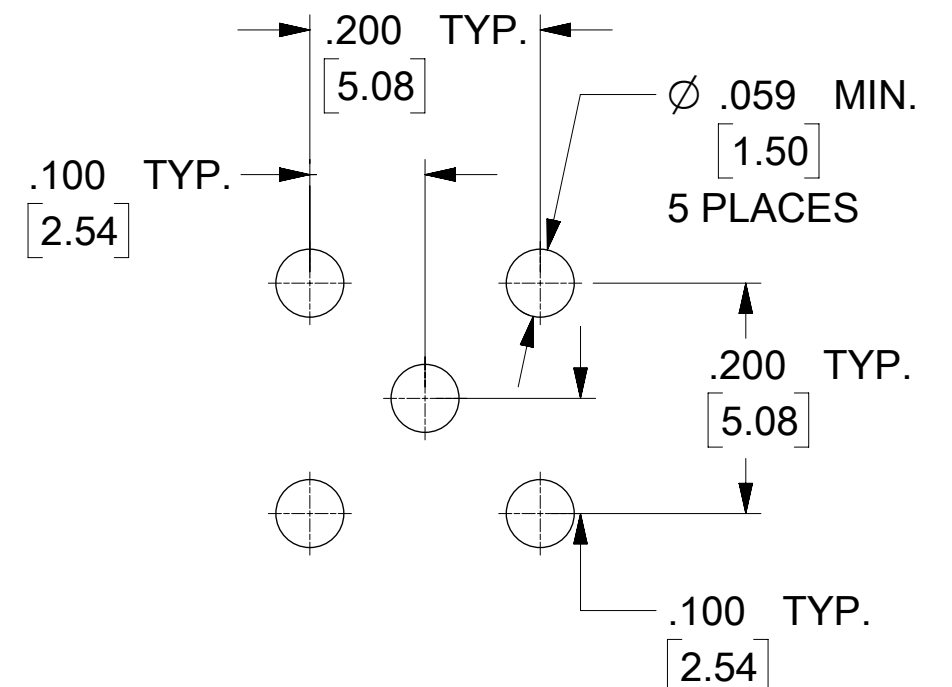
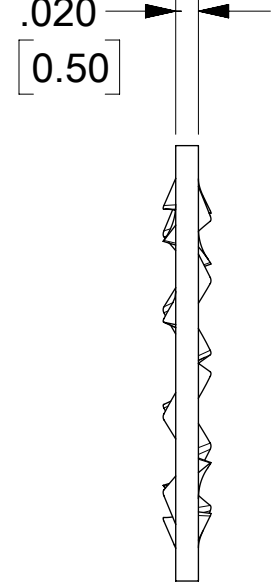
SD-73251-496 IS CONTINUATION FOR SD-73251-220



JAM NUT



LOCK WASHER



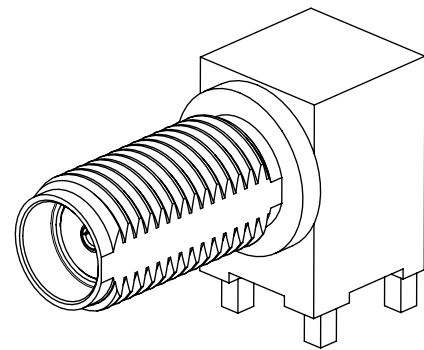
RECOMMENDED PCB LAYOUT

PART NO.	JAM NUT QTY	WASHER QTY	IN / MM	BODY	CONTACT	JAM NUT & LOCK WASHER
73251-4967	1	1	.110 / 2.79	GOLD (5μ-in MIN) OVER NICKEL (50μ-in MIN)	GOLD (30μ-in MIN) OVER NICKEL(100μ-in MIN)	GOLD (1μ-in MIN) OVER NICKEL (50μ-in MIN)
73251-4966	1	1	.110 / 2.79	NICKEL (100μ-in MIN)	GOLD (30μ-in MIN) OVER NICKEL(100μ-in MIN)	NICKEL (100μ-in MIN)
73251-4965	2	1	.110 / 2.79	GOLD (5μ-in MIN) OVER NICKEL (50μ-in MIN)	GOLD (30μ-in MIN) OVER NICKEL(100μ-in MIN)	GOLD (1μ-in MIN) OVER NICKEL (50μ-in MIN)
73251-4964	1	1	.075 / 1.91	GOLD (5μ-in MIN) OVER NICKEL (50μ-in MIN)	GOLD (30μ-in MIN) OVER NICKEL(100μ-in MIN)	GOLD (1μ-in MIN) OVER NICKEL (50μ-in MIN)
73251-4963	NOT INCLUDED	NOT INCLUDED	.110 / 2.79	GOLD (5μ-in MIN) OVER NICKEL (50μ-in MIN)	GOLD (30μ-in MIN) OVER NICKEL(100μ-in MIN)	-----
73251-4962	1	NOT INCLUDED	.110 / 2.79	NICKEL (100μ-in MIN)	GOLD (30μ-in MIN) OVER NICKEL(100μ-in MIN)	NICKEL (100μ-in MIN)
73251-4961	2	1	.155 / 3.94	GOLD (1μ-in MIN) OVER NICKEL (50μ-in MIN)	GOLD (1μ-in MIN) OVER NICKEL (50μ-in MIN)	GOLD (1μ-in MIN) OVER NICKEL (50μ-in MIN)
73251-4960	1	1	.075 / 1.91	GOLD (1μ-in MIN) OVER NICKEL (50μ-in MIN)	GOLD (1μ-in MIN) OVER NICKEL (50μ-in MIN)	GOLD (1μ-in MIN) OVER NICKEL (50μ-in MIN)
	INCLUDED	INCLUDED	DIM A	PLATING	PLATING	PLATING

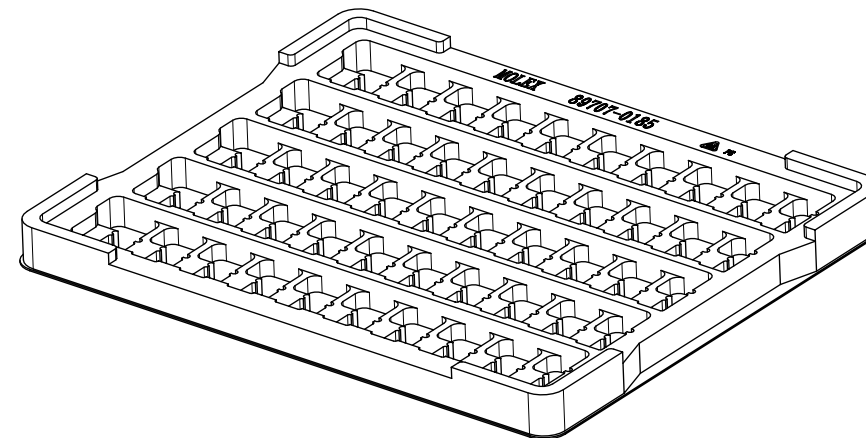
PS-89675-3460	PRODUCT SPECIFICATION
MIL-STD-348A, FIG. 310.2	INTERFACE
SPECIFICATION	DESCRIPTION

FUNCTIONAL SYMBOLS		THIS DRAWING CONTAINS INFORMATION THAT IS PROPRIETARY TO MOLEX ELECTRONIC TECHNOLOGIES, LLC AND SHOULD NOT BE USED WITHOUT WRITTEN PERMISSION	
FA = 0	DIMENSION UNITS	SCALE	CURRENT REV DESC: ADD P/N 73251-4967 FOR TR PACKAGING PER EWR14716-C
EA = 0	INCH/MM	NTS	
EP = 0	GENERAL TOLERANCES (UNLESS SPECIFIED)		
	ANGULAR TOL	± °	
	4 PLACES	±	EC NO: 737836
	3 PLACES	±	DRWN: CWEI02 2023/02/03
	2 PLACES	±	CHK'D: YCHENG 2023/02/10
	1 PLACE	±	APPR: YCHENG 2023/02/10
	0 PLACES	±	INITIAL REVISION:
			DRWN: AROBERTSON 2012/11/21
			APPR: JWIENER 2012/11/27
DRAFT WHERE APPLICABLE MUST REMAIN WITHIN DIMENSIONS		THIRD ANGLE PROJECTION	DRAWING SERIES
			C-SIZE 73251
DOCUMENT STATUS	P1	RELEASE DATE	2023/02/10 08:51:15

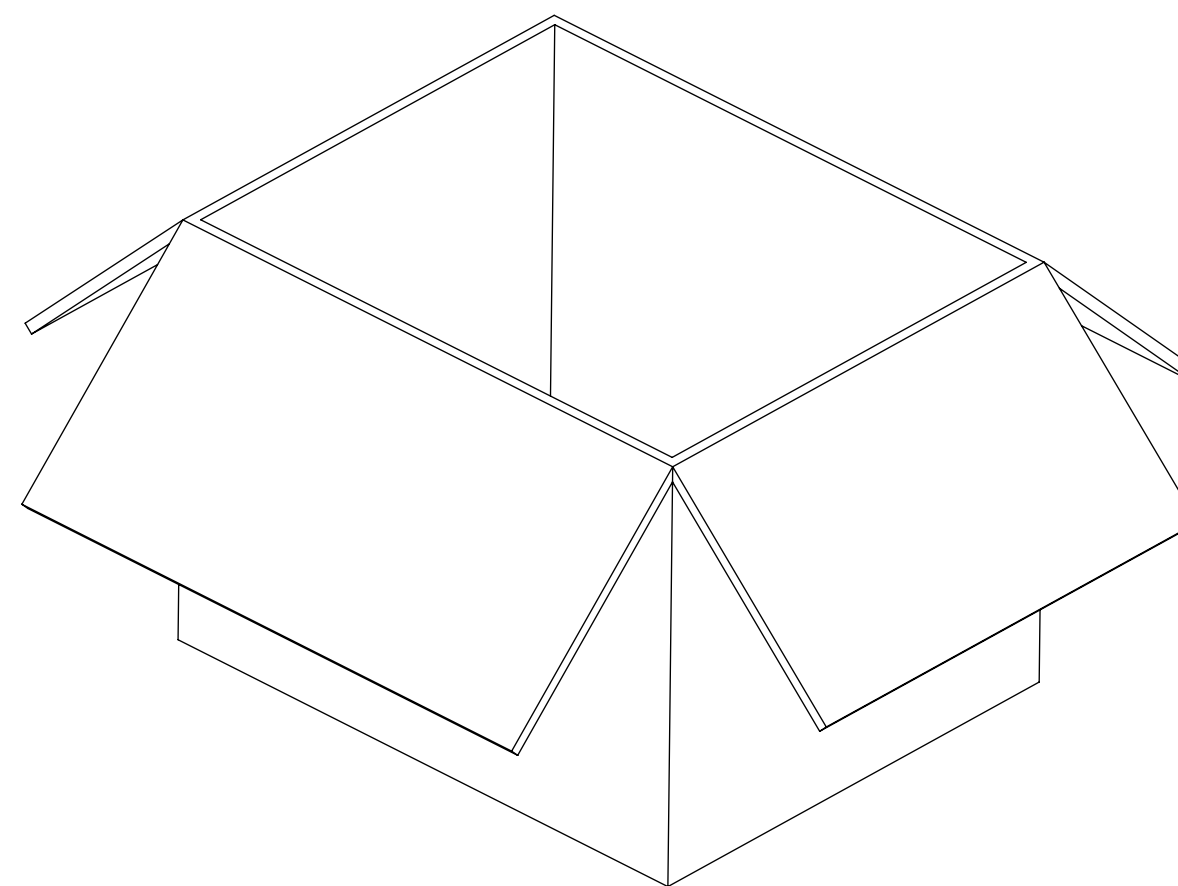
molex		
SMA JACK RA BLKHD RM PCB TH SMA-J/RA/PCB, EWR-2144		
PRODUCT CUSTOMER DRAWING		
DOCUMENT NUMBER	DOC TYPE	DOC PART
SD-73251-496	PSD	000 B10
MATERIAL NUMBER	CUSTOMER	SHEET NUMBER
SEE TABLE	GENERAL MARKET	1 OF 6




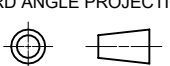
PART NO : 73251-4960
 PART NO: 73251-4962
 PART NO: 73251-4963
 PART NO: 73251-4964
 PART NO: 73251-4965



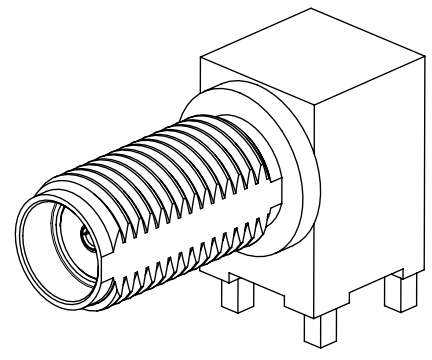
50 SET PER TRAY
 P/N: 89707-0185



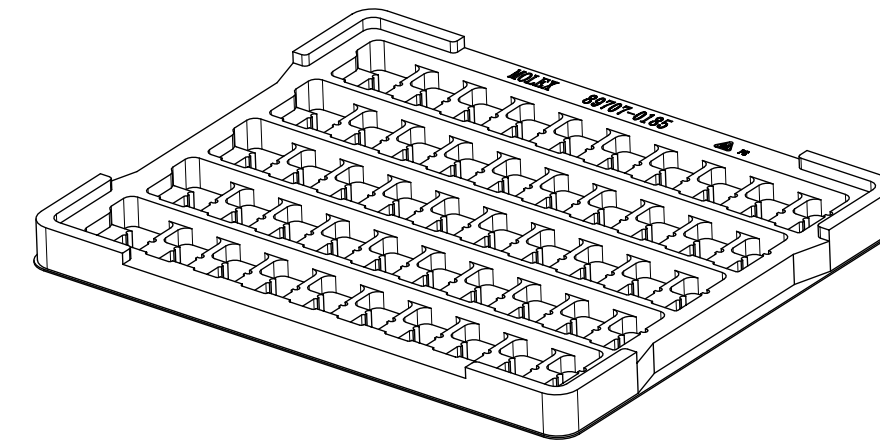
1400 SET PER OUTER CARTON BOX
 P/N: 89499-9027

FUNCTIONAL SYMBOLS	THIS DRAWING CONTAINS INFORMATION THAT IS PROPRIETARY TO MOLEX ELECTRONIC TECHNOLOGIES, LLC AND SHOULD NOT BE USED WITHOUT WRITTEN PERMISSION											
	DIMENSION UNITS	SCALE	CURRENT REV DESC: ADD P/N 73251-4967 FOR TR PACKAGING PER EWR14716-C									
$\frac{F}{A} = 0$	INCH/MM	NTS	EWR-14242-J ADDED LABEL FORMAT FOR 73251-4966									SMA JACK RA BLKHD RM PCB TH SMA-J/RA/PCB, EWR-2144
$\frac{F}{C} = 0$	GENERAL TOLERANCES (UNLESS SPECIFIED)		EC NO: 737836								PRODUCT CUSTOMER DRAWING	
$\frac{F}{P} = 0$	ANGULAR TOL ± °		DRWN: CWEI02 2023/02/03									
DIVISIONAL SYMBOLS	4 PLACES ±		CHK'D: YCHENG 2023/02/10								DOCUMENT NUMBER SD-73251-496	
	3 PLACES ±		APPR: YCHENG 2023/02/10									DOC TYPE PSD
	2 PLACES ±		INITIAL REVISION:									
	1 PLACE ±		DRWN: AROBERTSON 2012/11/21									REVISION B10
0 PLACES ±		APPR: JWIENER 2012/11/27								MATERIAL NUMBER SEE TABLE		
DRAFT WHERE APPLICABLE MUST REMAIN WITHIN DIMENSIONS		THIRD ANGLE PROJECTION	DRAWING	SERIES	CUSTOMER	SHEET NUMBER						
			C-SIZE	73251	GENERAL MARKET	2 OF 6						

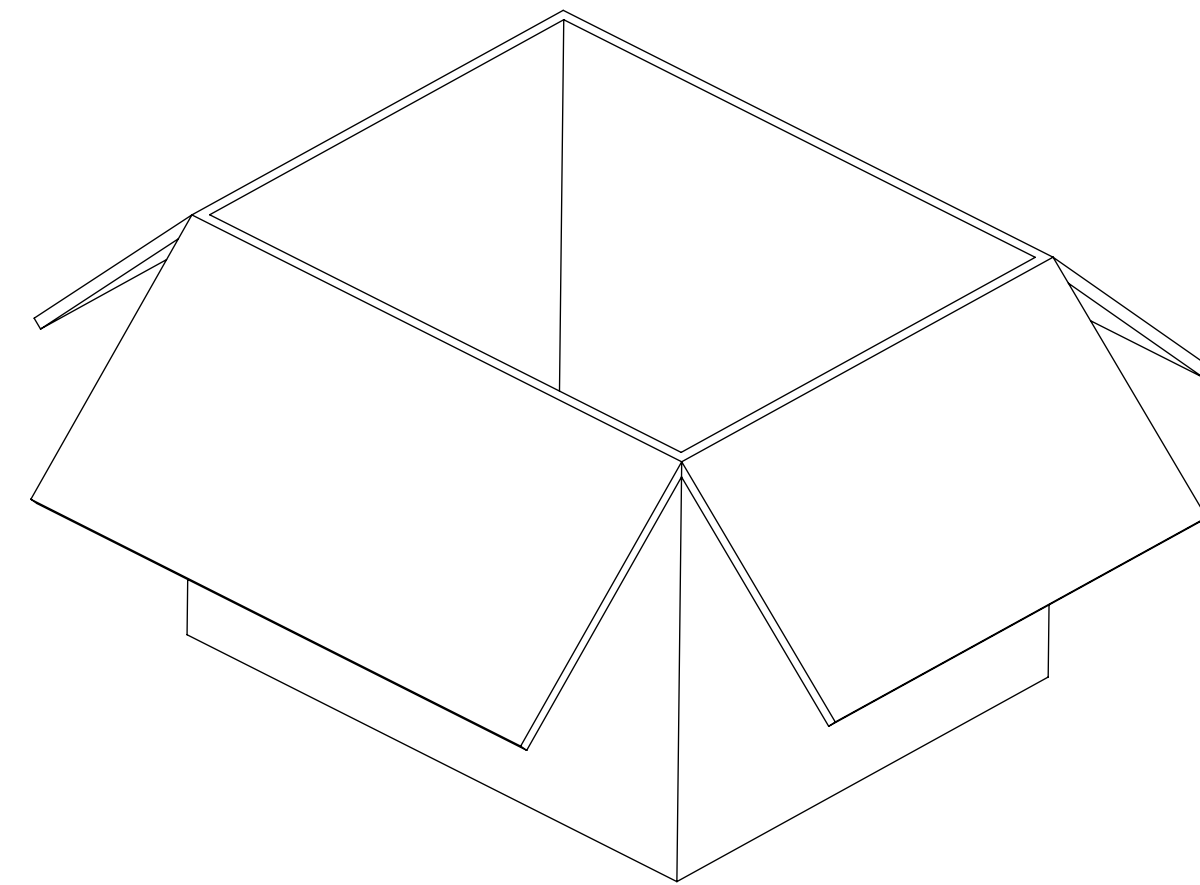
DOCUMENT STATUS	P1	RELEASE DATE	2023/02/10	08:51:15
-----------------	----	--------------	------------	----------




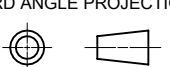
PART NO : 73251-4961



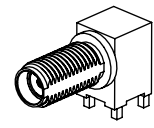
50 SET PER TRAY
P/N: 89707-0185



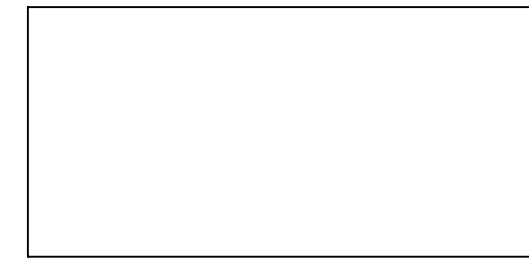
1200 SET PER OUTER CARTON BOX
P/N: 89499-9027

FUNCTIONAL SYMBOLS	THIS DRAWING CONTAINS INFORMATION THAT IS PROPRIETARY TO MOLEX ELECTRONIC TECHNOLOGIES, LLC AND SHOULD NOT BE USED WITHOUT WRITTEN PERMISSION											
	DIMENSION UNITS	SCALE	CURRENT REV DESC: ADD P/N 73251-4967 FOR TR PACKAGING PER EWR14716-C									
$\frac{F}{A} = 0$	INCH/MM	NTS	EWR-14242-J ADDED LABEL FORMAT FOR 73251-4966									SMA JACK RA BLKHD RM PCB TH SMA-J/RA/PCB, EWR-2144
$\frac{F}{C} = 0$	GENERAL TOLERANCES (UNLESS SPECIFIED)		EC NO: 737836								PRODUCT CUSTOMER DRAWING	
$\frac{F}{P} = 0$	ANGULAR TOL \pm °		DRWN: CWEI02 2023/02/03									
DIVISIONAL SYMBOLS	4 PLACES \pm		CHK'D: YCHENG 2023/02/10								DOCUMENT NUMBER SD-73251-496	
	3 PLACES \pm		APPR: YCHENG 2023/02/10									DOC TYPE PSD
	2 PLACES \pm		INITIAL REVISION:									
	1 PLACE \pm		DRWN: AROBERTSON 2012/11/21									REVISION B10
0 PLACES \pm		APPR: JWIENER 2012/11/27								MATERIAL NUMBER SEE TABLE		
DRAFT WHERE APPLICABLE MUST REMAIN WITHIN DIMENSIONS		THIRD ANGLE PROJECTION	DRAWING	SERIES	CUSTOMER						SHEET NUMBER	
			C-SIZE	73251	GENERAL MARKET					3 OF 6		

DOCUMENT STATUS	P1	RELEASE DATE	2023/02/10	08:51:15
-----------------	----	--------------	------------	----------



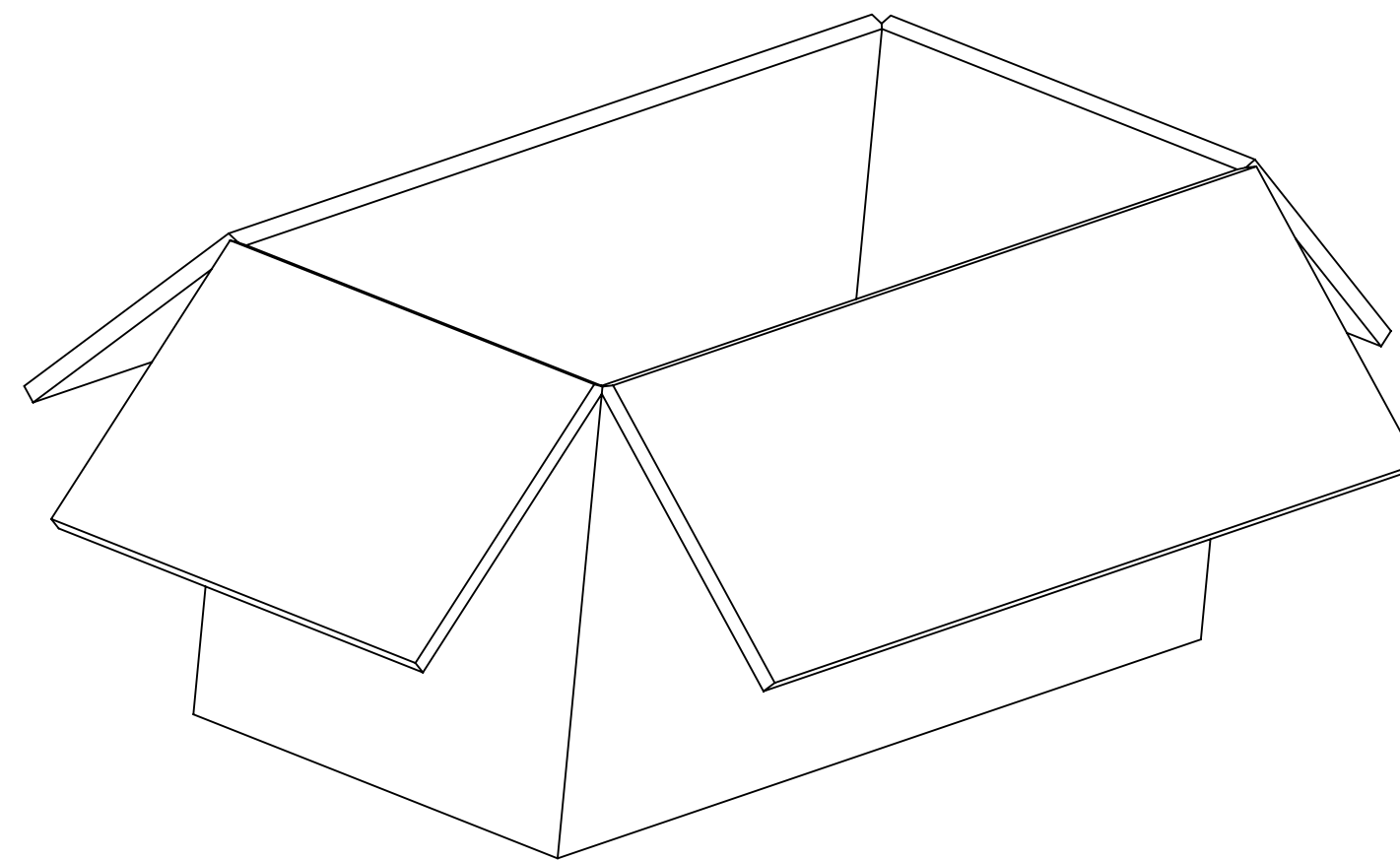
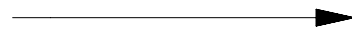
FOR 73251-4966 ONLY



1 SET PER POLYBAG
P/N: 89707-0317



50 SET PER POLYBAG
P/N: 89707-0176

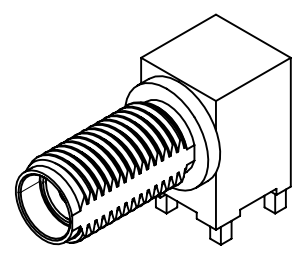


500 SET PER OUTER CARTON BOX
P/N: 96707-0002

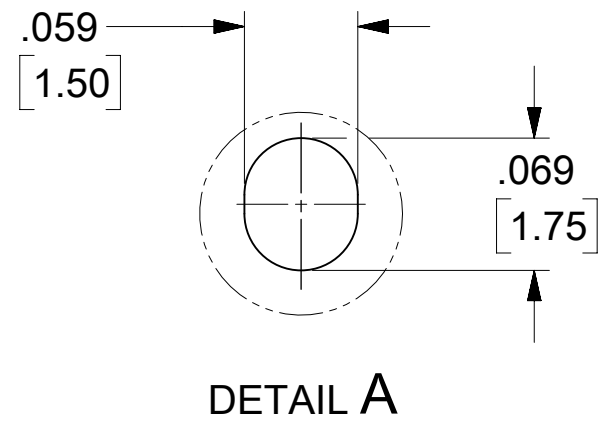
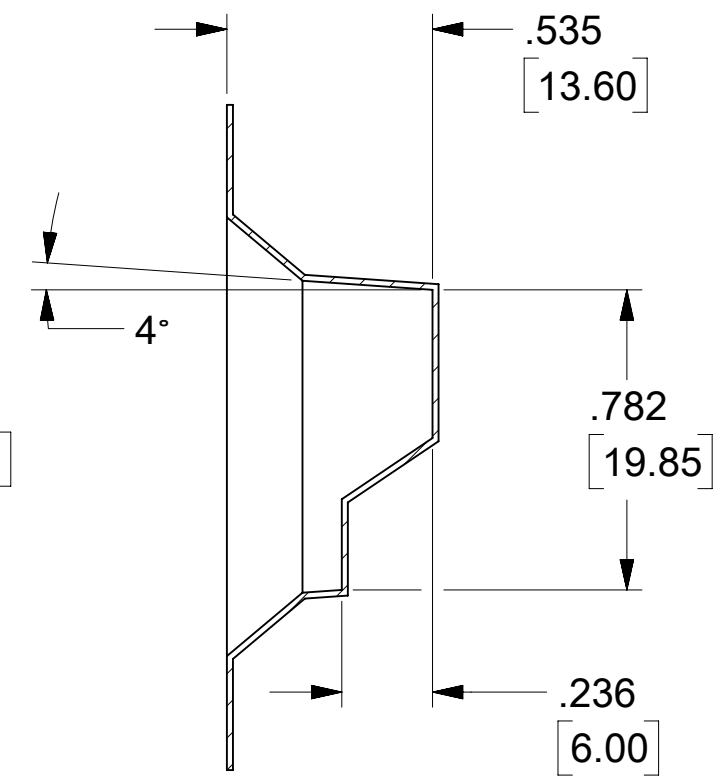
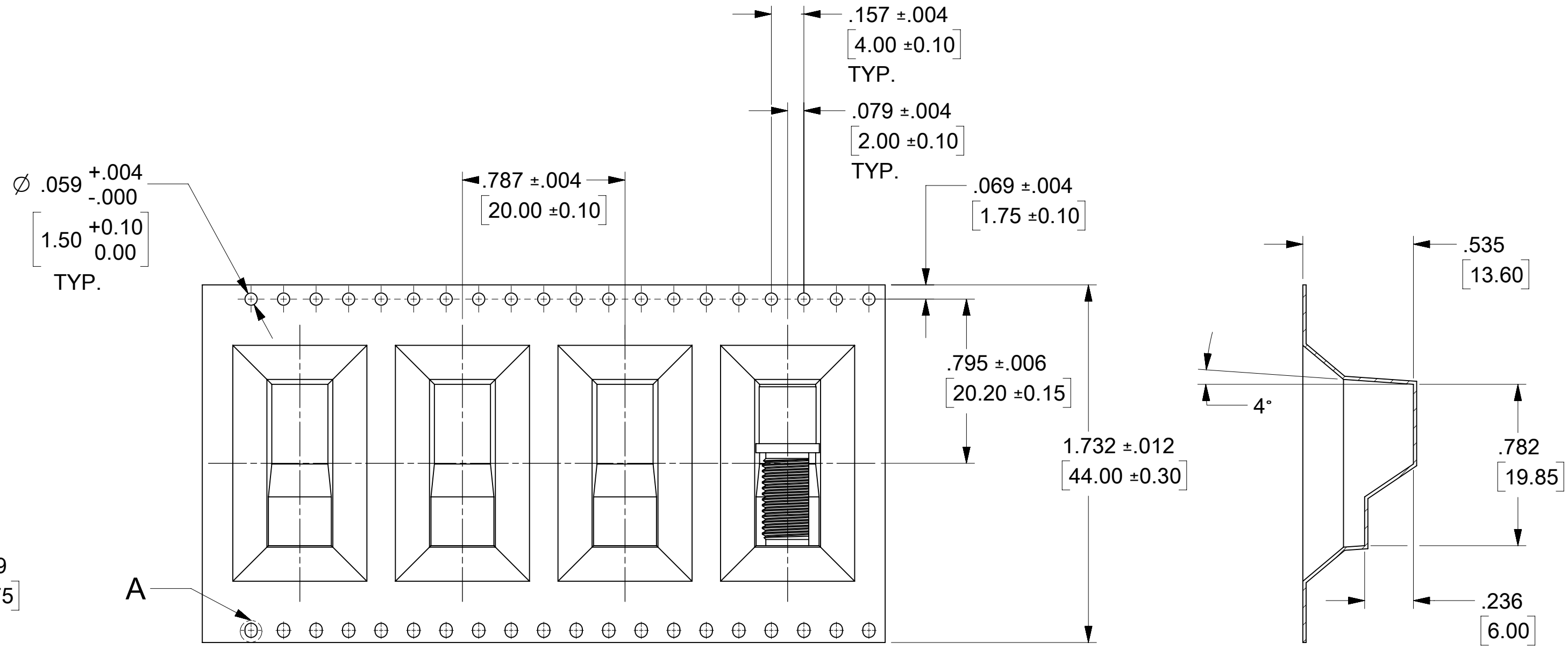
LABEL FORMAT FOR
73251-4966

PART NUMBER : 73251-2200
ORDER NUMBER : 73251-4966
MOLEX
DATE : YYWW

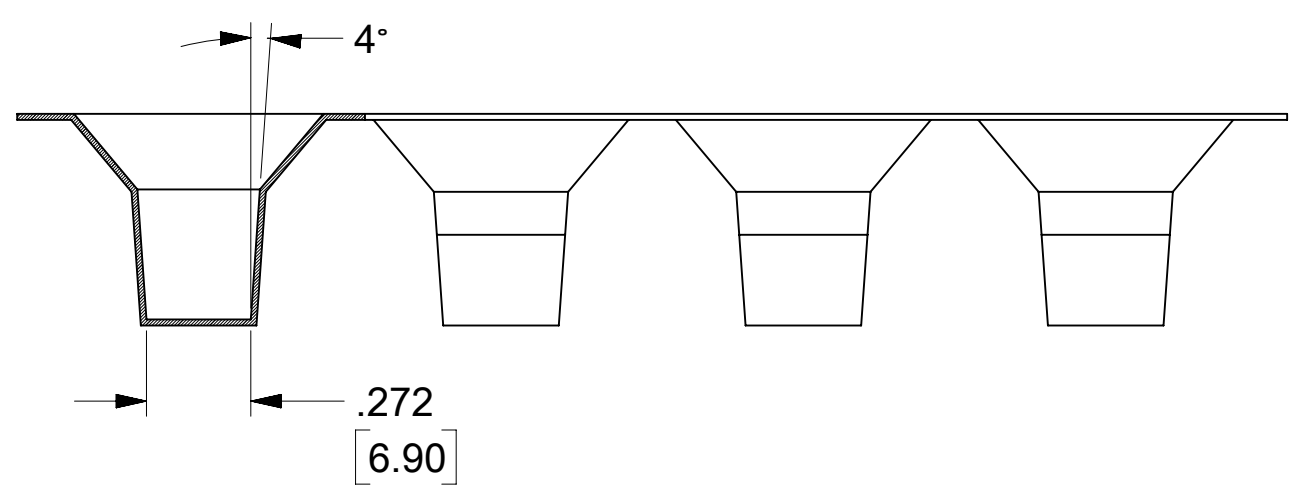
FUNCTIONAL SYMBOLS	THIS DRAWING CONTAINS INFORMATION THAT IS PROPRIETARY TO MOLEX ELECTRONIC TECHNOLOGIES, LLC AND SHOULD NOT BE USED WITHOUT WRITTEN PERMISSION									
	DIMENSION UNITS	SCALE	CURRENT REV DESC: ADD P/N 73251-4967 FOR TR PACKAGING PER EWR14716-C							
$\frac{F}{A} = 0$	INCH/MM	NTS	EWR-14242-J ADDED LABEL FORMAT FOR 73251-4966							
DIVISIONAL SYMBOLS	GENERAL TOLERANCES (UNLESS SPECIFIED)		EC NO: 737836							
	ANGULAR TOL ± °		DRWN: CWEI02 2023/02/03							
DIVISIONAL SYMBOLS	4 PLACES ±		CHK'D: YCHENG 2023/02/10							
	3 PLACES ±		APPR: YCHENG 2023/02/10							
	2 PLACES ±		INITIAL REVISION:							
1 PLACE ±		DRWN: AROBERTSON 2012/11/21								
0 PLACES ±		APPR: JWIENER 2012/11/27								
DRAFT WHERE APPLICABLE MUST REMAIN WITHIN DIMENSIONS		THIRD ANGLE PROJECTION	DRAWING	SERIES	MATERIAL NUMBER	CUSTOMER	SHEET NUMBER			
			C-SIZE	73251	SEE TABLE	GENERAL MARKET	4 OF 6			
			DOCUMENT NUMBER		DOC TYPE	DOC PART	REVISION			
			SD-73251-496		PSD	000	B10			



FOR PART NO. 73251-4967 ONLY



A



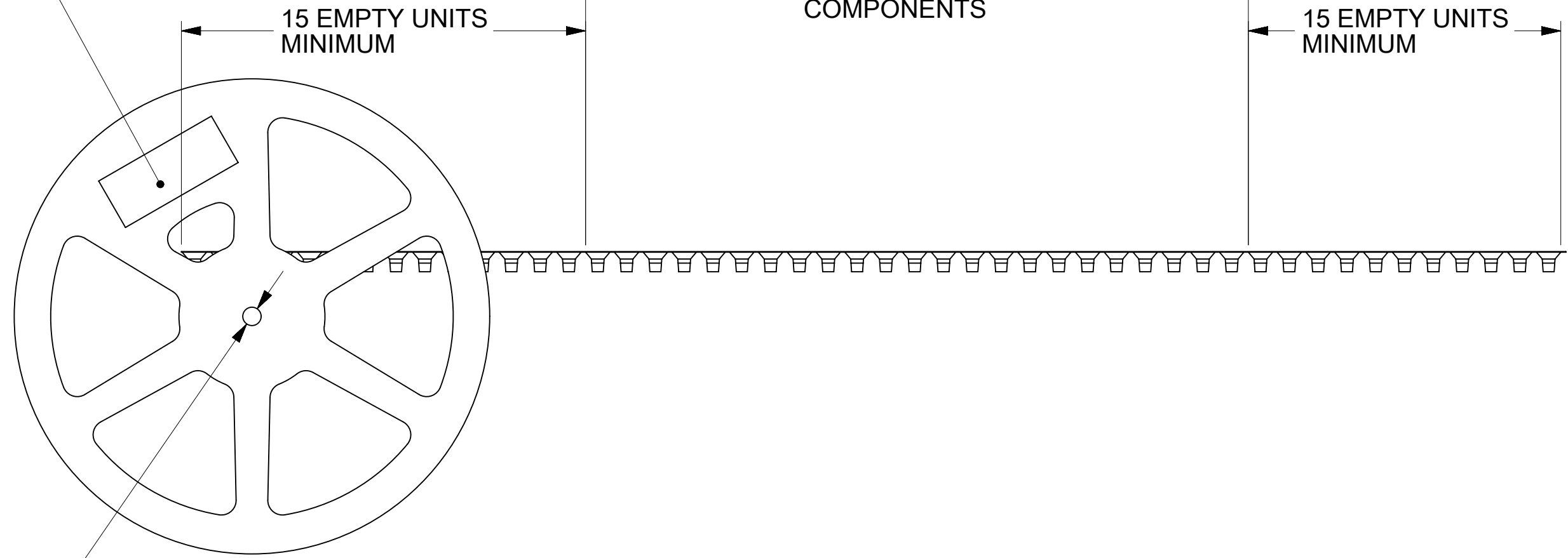
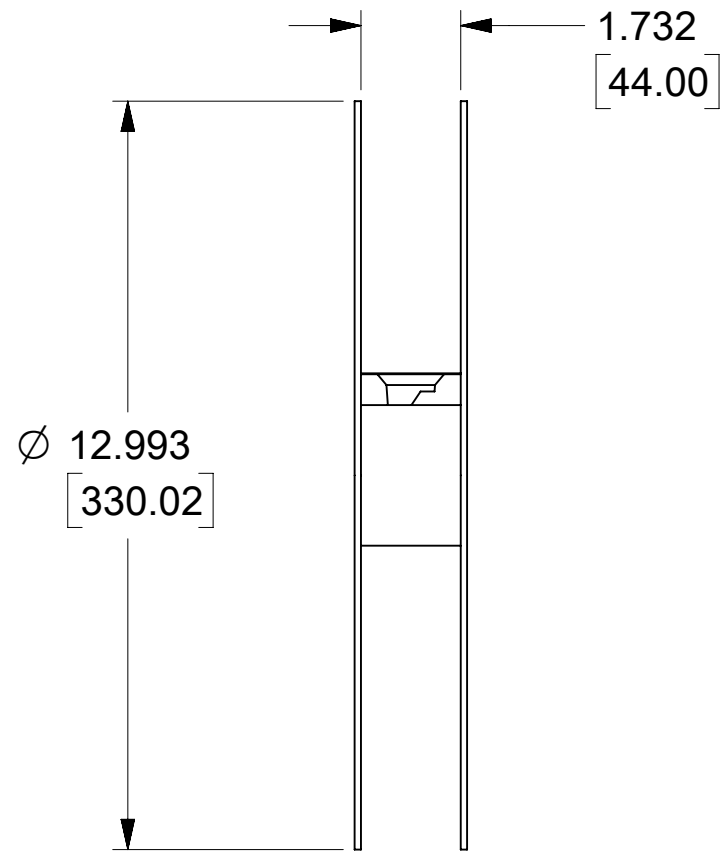
NOTES:

1. MATERIALS: PS BLACK THICKNESS: 0.5±0.05MM
2. COMPONENT LOAD PER 13" REEL: 250 PCS

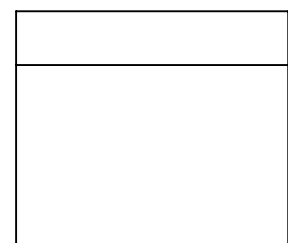
FUNCTIONAL SYMBOLS										THIS DRAWING CONTAINS INFORMATION THAT IS PROPRIETARY TO MOLEX ELECTRONIC TECHNOLOGIES, LLC AND SHOULD NOT BE USED WITHOUT WRITTEN PERMISSION									
DIMENSION UNITS					SCALE					CURRENT REV DESC: ADD P/N 73251-4967 FOR TR PACKAGING PER EWR14716-C									
INCH/MM					NTS					<p>molex</p> <p>SMA JACK RA BLKHD RM PCB TH SMA-J/RA/PCB, EWR-2144</p> <p>PRODUCT CUSTOMER DRAWING</p> <p>DOCUMENT NUMBER: SD-73251-496 DOC TYPE: PSD DOC PART: 000 REVISION: B10</p> <p>MATERIAL NUMBER: SEE TABLE CUSTOMER: GENERAL MARKET SHEET NUMBER: 5 OF 6</p>									
GENERAL TOLERANCES (UNLESS SPECIFIED)																			
ANGULAR TOL ± °																			
DIVISIONAL SYMBOLS																			
4 PLACES ±					EC NO: 737836					2023/02/03									
3 PLACES ±					DRWN: CWEI02					2023/02/10									
2 PLACES ±					CHK'D: YCHENG					2023/02/10									
1 PLACE ±					APPR: YCHENG					INITIAL REVISION:									
0 PLACES ±					DRWN: AROBERTSON					2012/11/21									
DRAFT WHERE APPLICABLE MUST REMAIN WITHIN DIMENSIONS					THIRD ANGLE PROJECTION					DRAWING SERIES: C-SIZE 73251									

FOR 73251-4967 ONLY

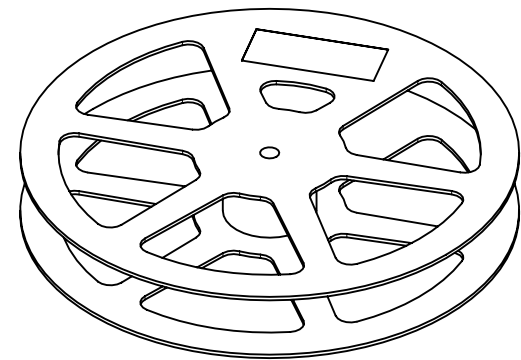
LABEL:
 -ORDER NUMBER
 -QUANTITY
 -PART NUMBER
 -LOT NUMBER



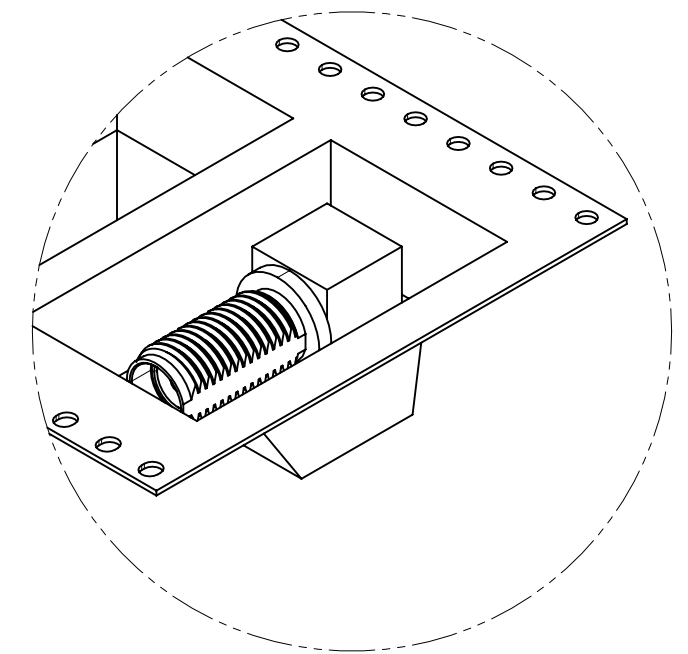
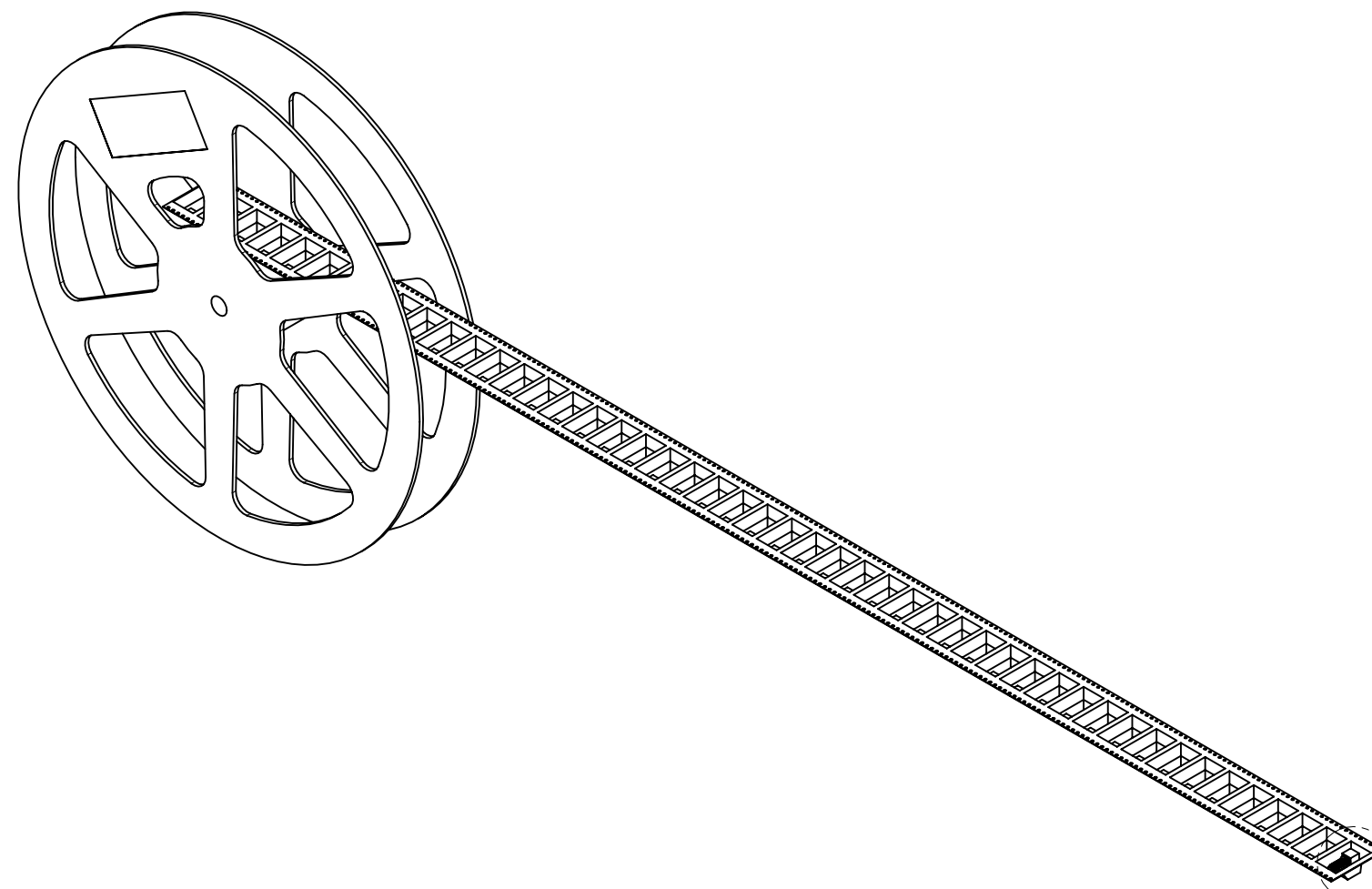
Ø .502 REF
 [12.75]



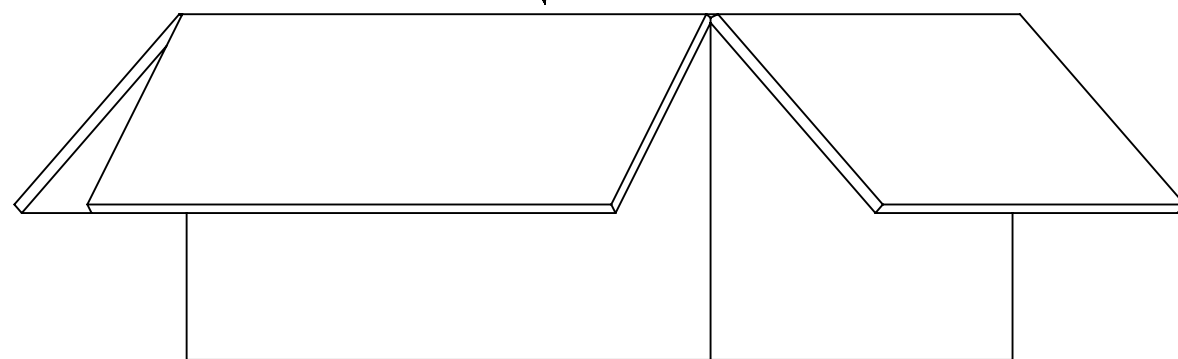
ACCESSORY



REELS X 4 PCS



DETAIL B



1000 SETS PER CARTON BOX
 OUTER DIMENSION: 343 X 343X 220 MM

FUNCTIONAL SYMBOLS	THIS DRAWING CONTAINS INFORMATION THAT IS PROPRIETARY TO MOLEX ELECTRONIC TECHNOLOGIES, LLC AND SHOULD NOT BE USED WITHOUT WRITTEN PERMISSION										
	DIMENSION UNITS	SCALE	CURRENT REV DESC: ADD P/N 73251-4967 FOR TR PACKAGING PER EWR14716-C								molex
FA = 0	INCH/MM	NTS									
GENERAL TOLERANCES (UNLESS SPECIFIED)	GENERAL TOLERANCES (UNLESS SPECIFIED)										
	ANGULAR TOL	±	°								
DIVISIONAL SYMBOLS	4 PLACES	±									
	3 PLACES	±									
	2 PLACES	±									
	1 PLACE	±									
0 PLACES	±										
DRAFT WHERE APPLICABLE MUST REMAIN WITHIN DIMENSIONS		THIRD ANGLE PROJECTION		DRAWING	SERIES	MATERIAL NUMBER	CUSTOMER	SHEET NUMBER			
				C-SIZE	73251	SEE TABLE	GENERAL MARKET	6 OF 6			

EC NO: 737836				
DRWN: CWEI02	2023/02/03			
CHK'D: YCHENG	2023/02/10			
APPR: YCHENG	2023/02/10			
INITIAL REVISION:				
DRWN: AROBERTSON	2012/11/21			
APPR: JWIENER	2012/11/27			
DOCUMENT NUMBER		DOC TYPE	DOC PART	REVISION
SD-73251-496		PSD	000	B10

DOCUMENT STATUS	P1	RELEASE DATE	2023/02/10	08:51:15
-----------------	----	--------------	------------	----------