

MATERIALS AND FINISHES:

BODY: BRASS
PLATED: GOLD (10μ-in MIN)
OVER NICKEL (100μ-in MIN)

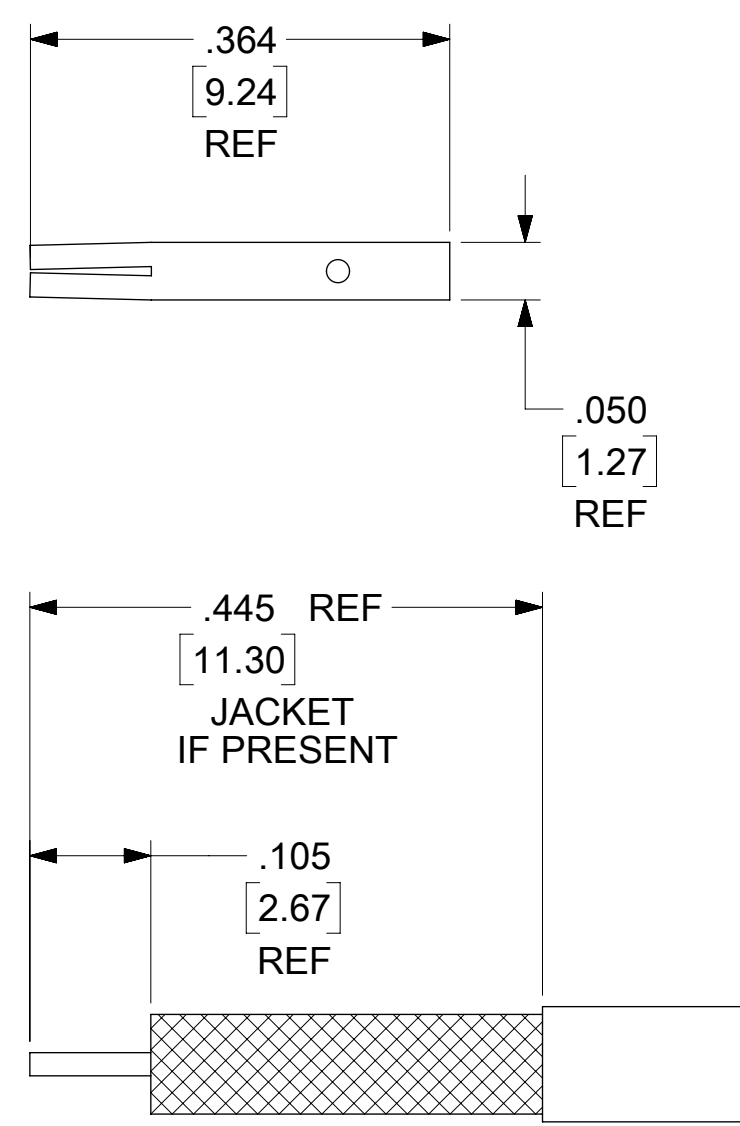
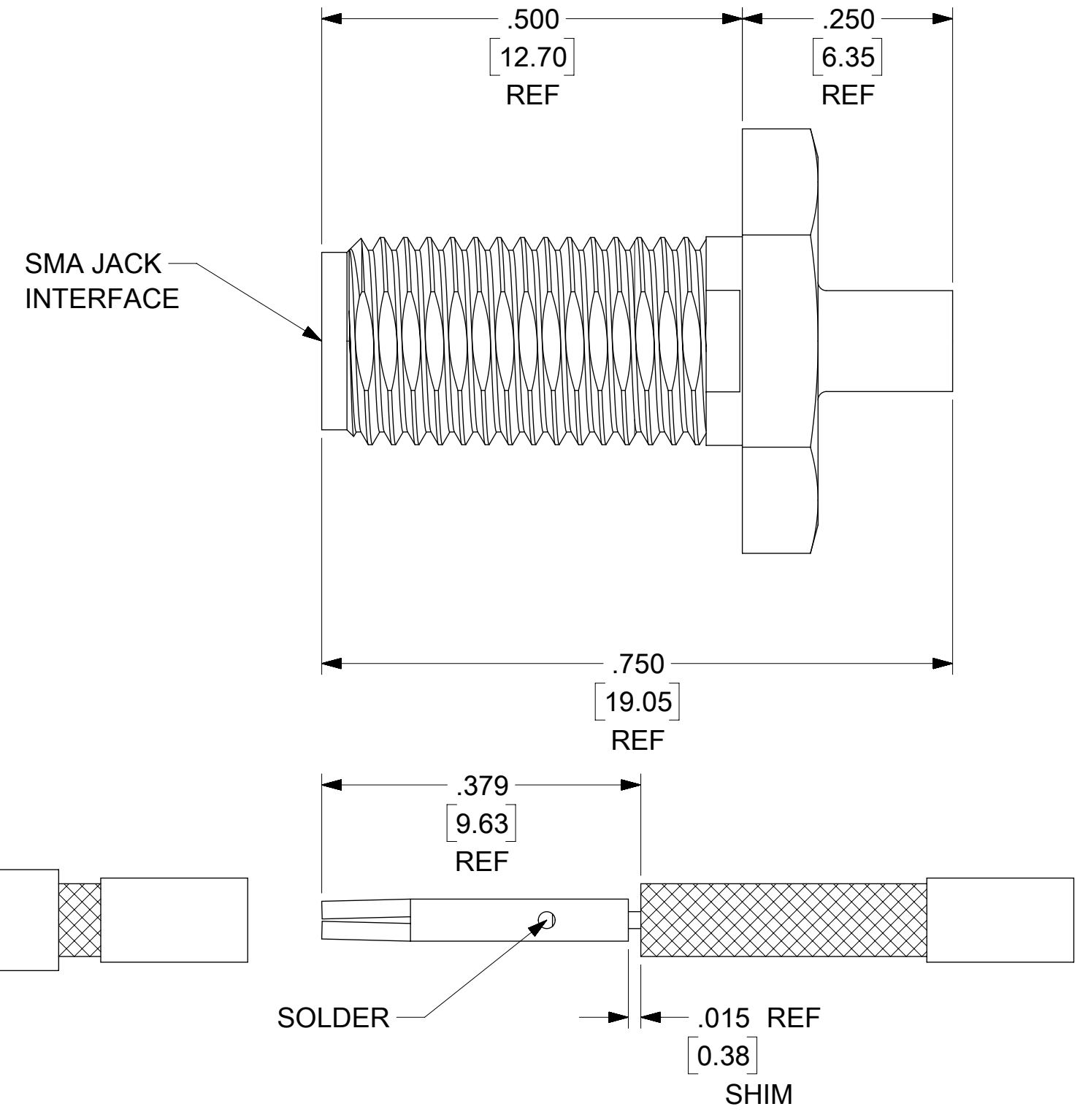
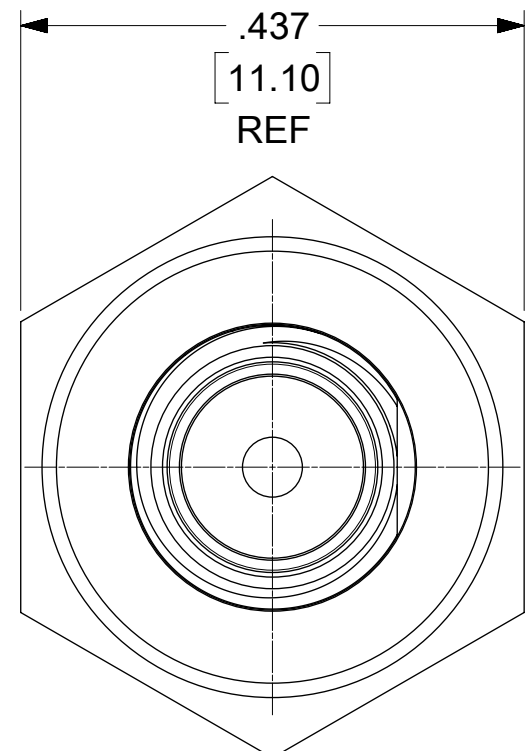
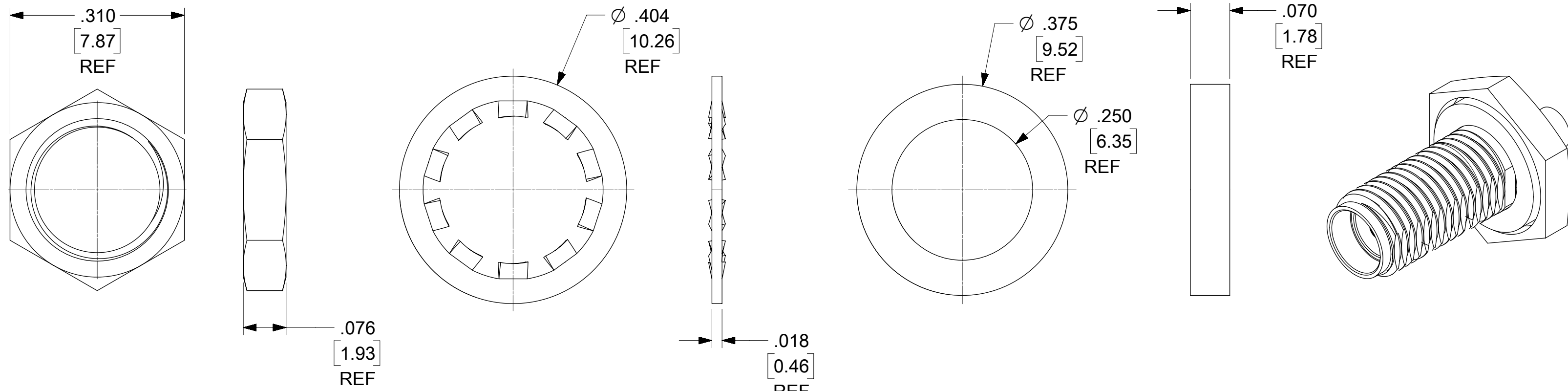
CENTER CONTACT: BERYLLIUM COPPER
PLATED: GOLD (50μ-in MIN)
OVER NICKEL (100μ-in MIN)

INSULATOR: PTFE

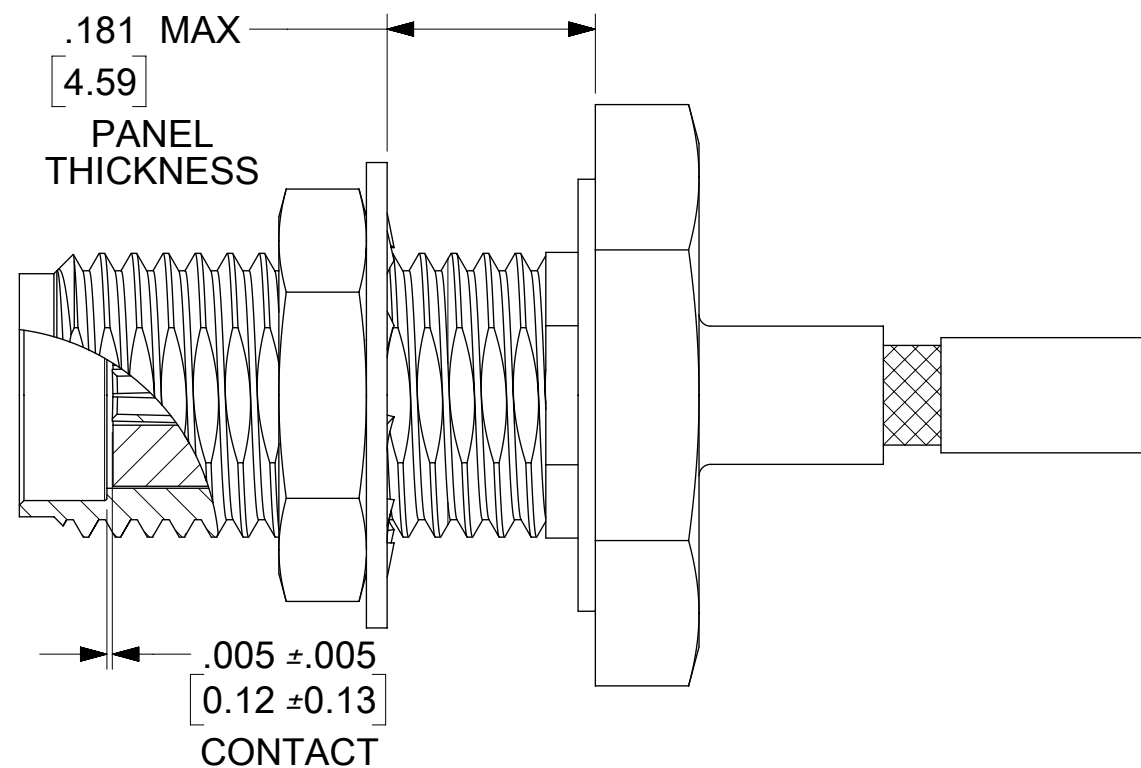
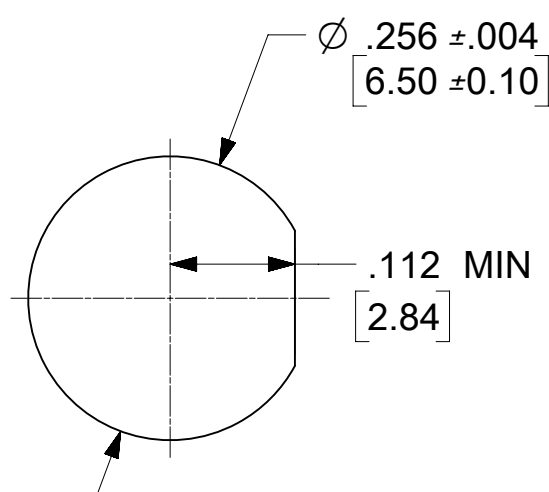
JAM NUT: BRASS
PLATED: GOLD (1μ-in MIN)
OVER NICKEL (50μ-in MIN)

LOCK WASHER: PHOSPHOR BRONZE
PLATED: GOLD (1μ-in MIN)
OVER NICKEL (50μ-in MIN)

GASKET: SILICONE RUBBER



RECOMMENDED MOUNTING HOLE



PART # 73251-1900

RECOMMENDED CABLE STRIPPING DIMENSIONS, RG-405 (.086)

SYMBOLS		THIS DRAWING CONTAINS INFORMATION THAT IS PROPRIETARY TO MOLEX ELECTRONIC TECHNOLOGIES, LLC AND SHOULD NOT BE USED WITHOUT WRITTEN PERMISSION			
∇ = 0	DIMENSION UNITS	SCALE		CURRENT REV DESC: SEE ECM	
∇ = 0	INCH	INCH		EC NO: 174360	
∇ = 0	GENERAL TOLERANCES (UNLESS SPECIFIED)		DRWN: PSWAMI02 2018/03/27		
∇ = 0		MM	INCH	CHK'D: PSWAMI02 2018/04/04	
∇ = 0	4 PLACES ±	±	±	APPR: AROBERTSON 2018/04/04	
∇ = 0	3 PLACES ±	±	± 0.01	INITIAL REVISION:	
∇ = 0	2 PLACES ±	0.25	±	DRWN: PSWAMI02 2018/03/29	
∇ = 0	1 PLACE ±	±	±	APPR: AROBERTSON 2018/03/29	
∇ = 0	0 PLACES ±	±	±	THIRD ANGLE PROJECTION	
∇ = 0	ANGULAR TOL	± 2.0°		DRAWING	
∇ = 0	DRAFT WHERE APPLICABLE MUST REMAIN WITHIN DIMENSIONS		C-SIZE		SERIES
				73251	MATERIAL NUMBER
					CUSTOMER
					SHEET NUMBER
					1 OF 2

molex

SMA JACK STRAIGHT BULKHEAD RG-405 (.086) SMA-JC, EWR-10924

PRODUCT CUSTOMER DRAWING

DOCUMENT NUMBER: **SD-73251-190** DOC TYPE: **PSD** DOC PART: **001** REVISION: **A2**

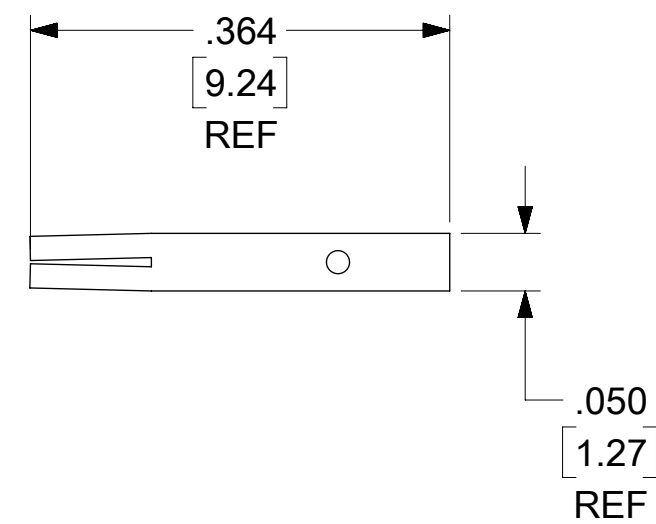
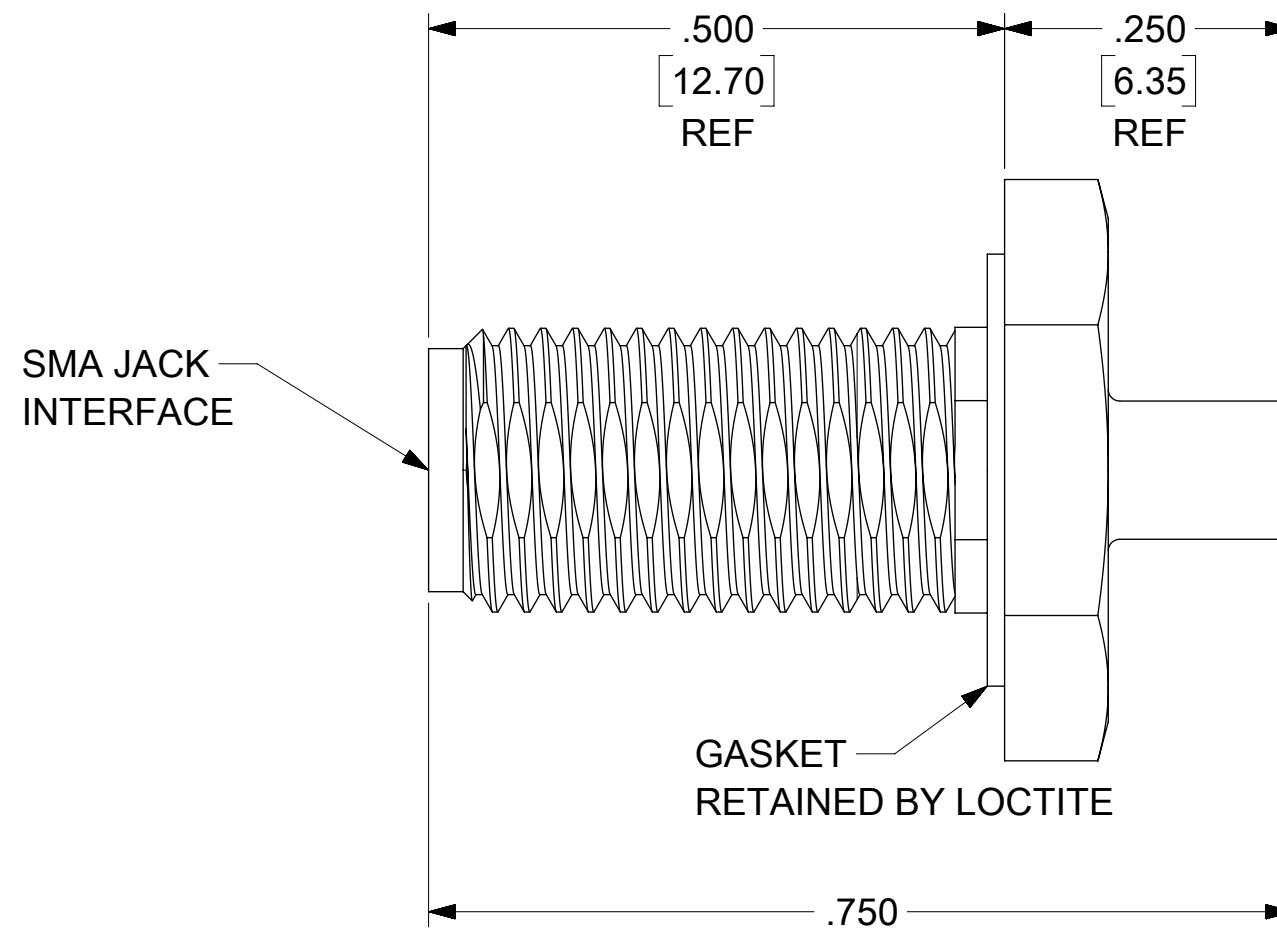
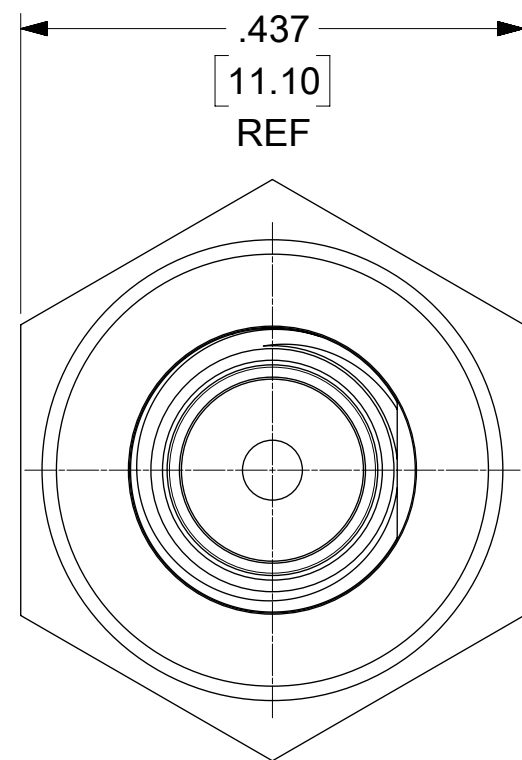
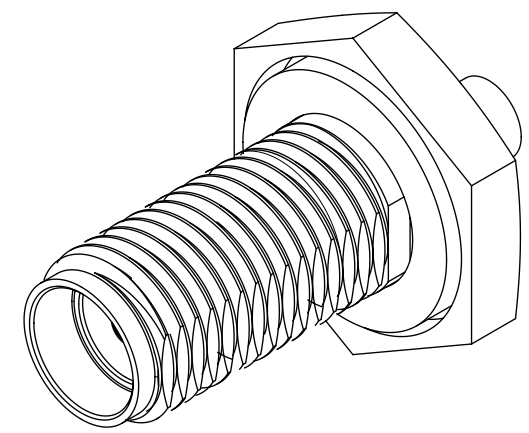
MATERIALS AND FINISHES:

BODY: BRASS
 PLATED: GOLD (10μ-in MIN)
 OVER NICKEL (100μ-in MIN)

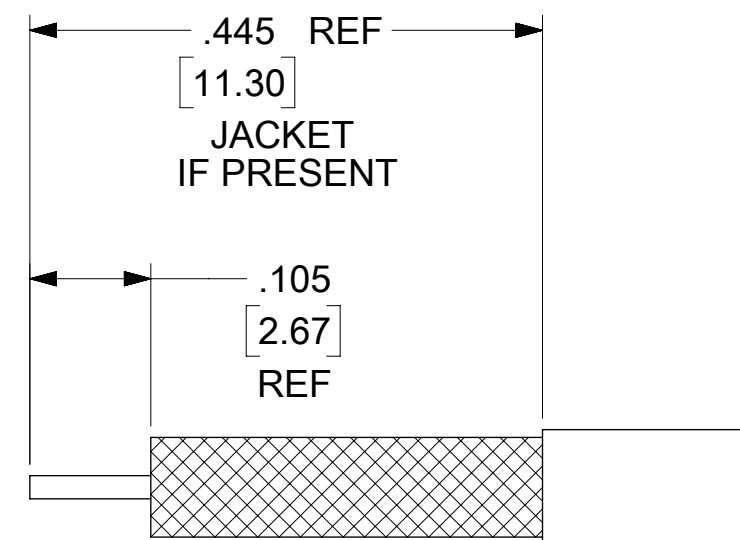
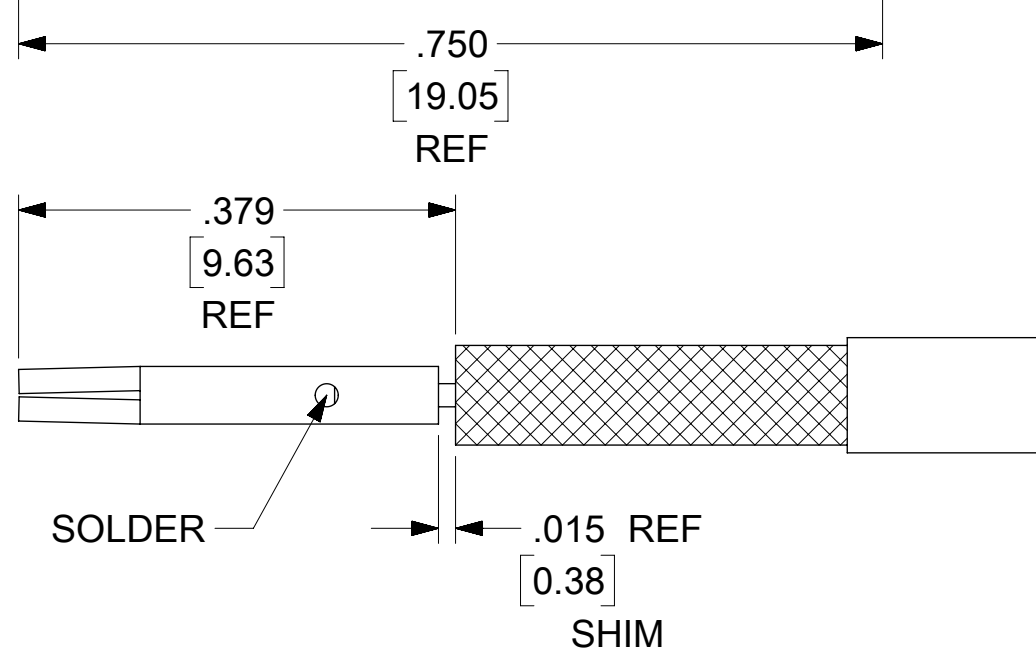
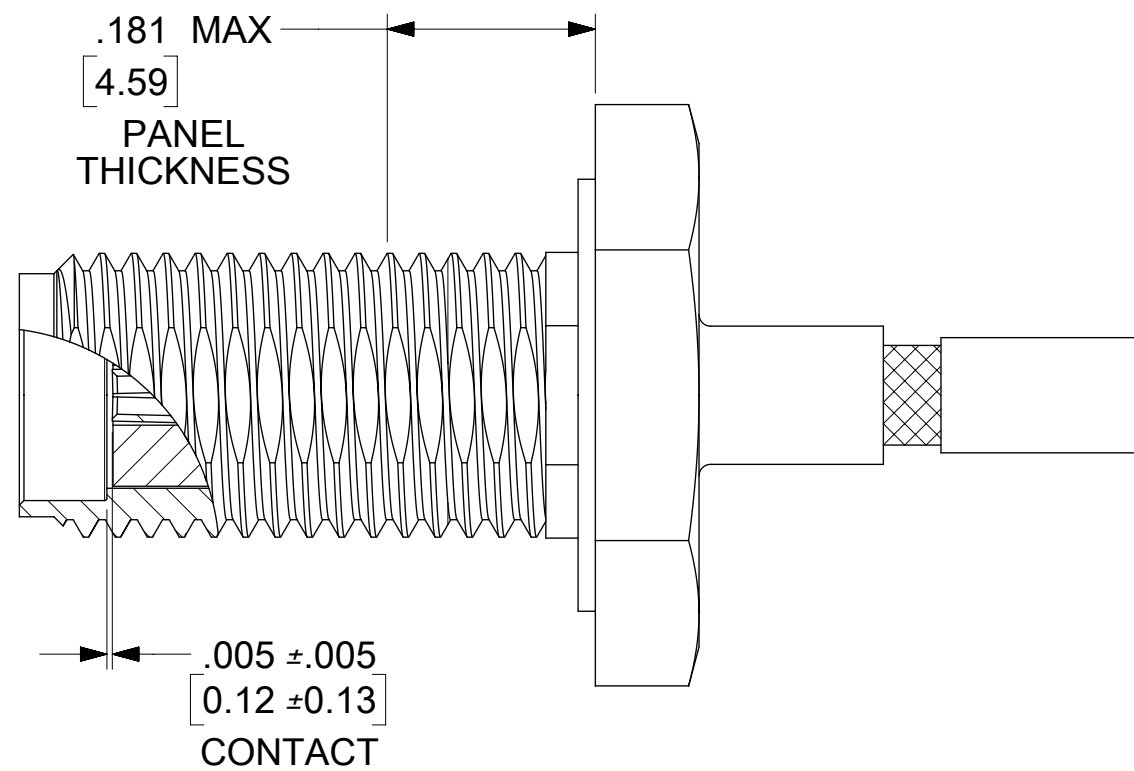
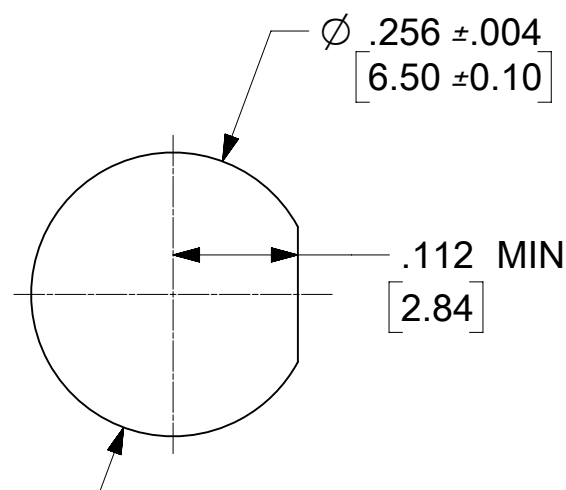
CENTER CONTACT: BERYLLIUM COPPER
 PLATED: GOLD (50μ-in MIN)
 OVER NICKEL (100μ-in MIN)

INSULATOR: PTFE

GASKET: SILICONE RUBBER



RECOMMENDED MOUNTING HOLE



RECOMMENDED CABLE STRIPPING DIMENSIONS, RG-405 (.086)

PART # 73251-1901

SYMBOLS	THIS DRAWING CONTAINS INFORMATION THAT IS PROPRIETARY TO MOLEX ELECTRONIC TECHNOLOGIES, LLC AND SHOULD NOT BE USED WITHOUT WRITTEN PERMISSION			
	DIMENSION UNITS		SCALE	
▽ = 0	INCH		CURRENT REV DESC: SEE ECM	
▽ = 0	GENERAL TOLERANCES (UNLESS SPECIFIED)			
▽ = 0		MM	INCH	
▽ = 0	4 PLACES ±	±		EC NO: 174360
▽ = 0	3 PLACES ±	± 0.01		DRWN: PSWAMI02 2018/03/27
▽ = 0	2 PLACES ±	± 0.25		CHK'D: PSWAMI02 2018/04/04
▽ = 0	1 PLACE ±	±		APPR: AROBERTSON 2018/04/04
▽ = 0	0 PLACES ±	±		INITIAL REVISION:
▽ = 0	ANGULAR TOL	± 2.0°		DRWN: PSWAMI02 2018/03/29
▽ = 0	DRAFT WHERE APPLICABLE MUST REMAIN WITHIN DIMENSIONS		THIRD ANGLE PROJECTION	APPR: AROBERTSON 2018/03/29
▽ = 0			DRAWING C-SIZE	SERIES 73251
DOCUMENT STATUS		DOCUMENT NUMBER	DOC TYPE	DOC PART
P1	RELEASE DATE 2018/04/04 13:36:30	SD-73251-190	PSD	001
		MATERIAL NUMBER	CUSTOMER	REVISION
		732511900		A2
		SHEET NUMBER		
		2 OF 2		