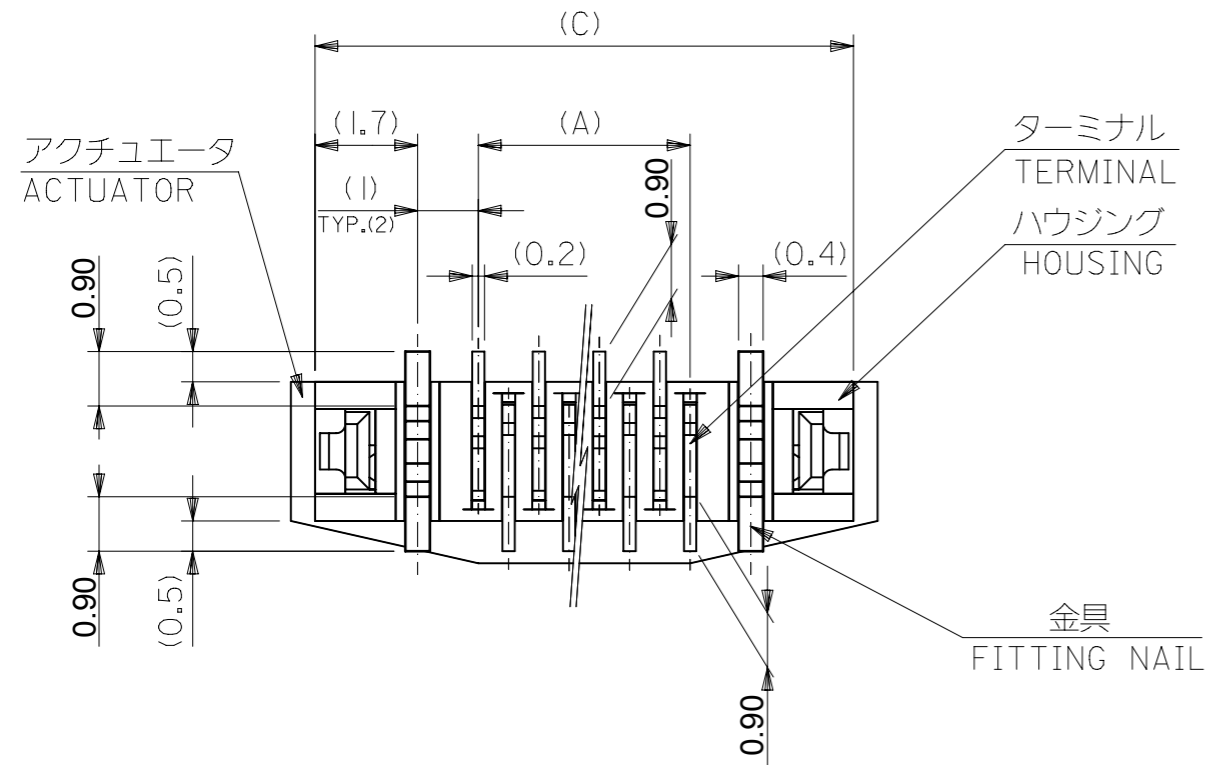
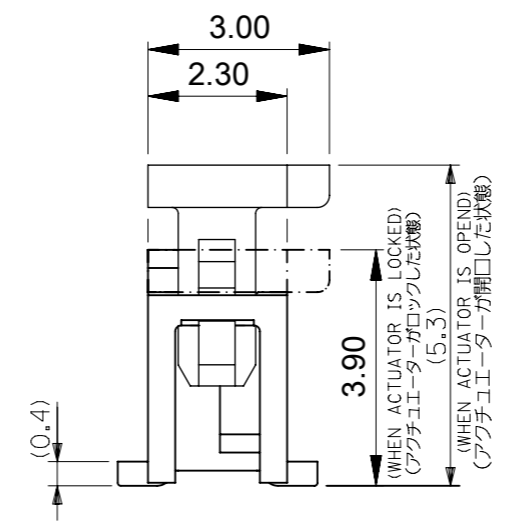
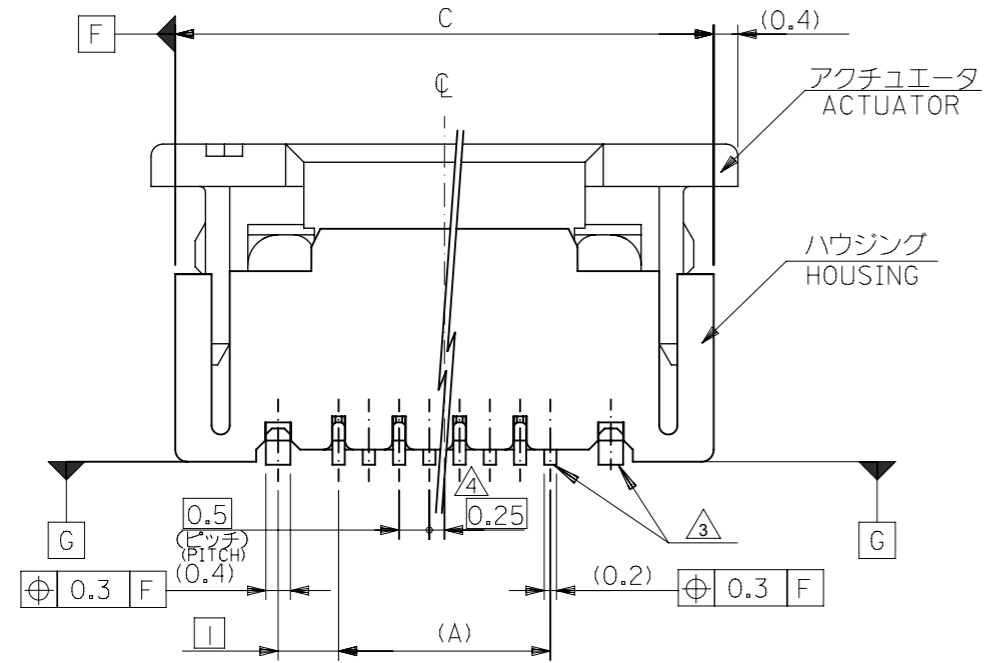
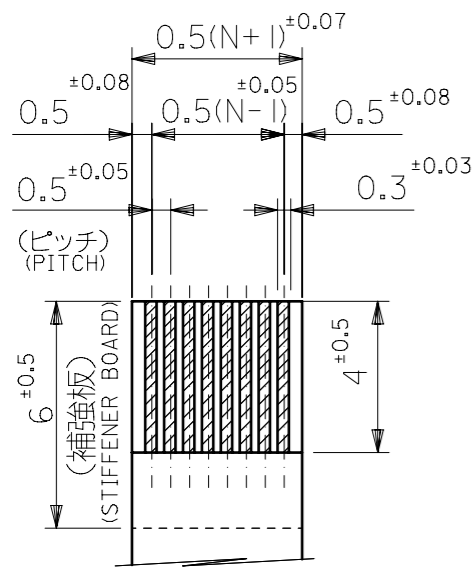


注記 NOTES

- 材質 MATERIAL
 ハウジング：ポリアミド (PA)、ガラス充填、ナチュラル (白)、UL94V-0
 HOUSING : POLYAMIDE, GLASS FILLED, NATURAL, UL94V-0
 アクチュエータ：ポリフェニレンサルファイド (PPS)、ガラス充填、ナチュラル、UL94V-0
 ACTUATOR : POLYPHENYLENE SULFIDE, GLASS FILLED, NATURAL (BROWN), UL94V-0
 ターミナル：銅合金 (t=0.2)
 TERMINAL : COPPER ALLOY (t=0.2)
 金具：銅合金 (t=0.4)
 NAIL : COPPER ALLOY (t=0.4)
- めっき仕様 PLATING
 ターミナル TERMINAL
 錫銀ビスマスめっき (1.0μm以上)
 下地：ニッケルめっき (1.0μm以上)
 TIN SILVER BISMUTH PLATING
 (1.0 MICROMETER MINIMUM)
 UNDER PLATE : NICKEL PLATING
 (1.0 MICROMETER MINIMUM)
 金具 FITTING NAIL
 錫めっき (1.0μm以上)
 下地：ニッケルめっき (1.0μm以上)
 TIN PLATING
 (1.0 MICROMETER MINIMUM)
 UNDER PLATE : NICKEL PLATING
 (1.0 MICROMETER MINIMUM)
- △3 ソルダーテール半田付け面のズレ量、及び金具半田付け面のズレ量は、基準面 G に対し上方0.05MAXIMUM、下方0.15MAXIMUMとする。
 MISALIGNMENT OF SOLDER TAILS AND FITTING NAILS FROM DATUM-G UPPER DIRECTION : 0.05MAXIMUM
 LOWER DIRECTION 0.15MAXIMUM.
- △4 偶数極に適用
 APPLY FOR EVEN CIRCUIT
- △5 パターンはくり止めよう金具
 FITTING NAIL FOR PREVENTION OF PEELING OF P.C.B PATTERN.
- △6 R0.3はFPCの導体部にかからないこと
 R0.3 MUST NOT BE OVERLAPED TO PATTERN OF FPC.
- ソルダーテールの平坦度は、0.12 MAXIMUMとする。
 SOLDER TAIL COPLANARITY IS 0.12 MAXIMUM.
- ELV及びRoHS適合品
 ELV AND RoHS COMPLIANT.

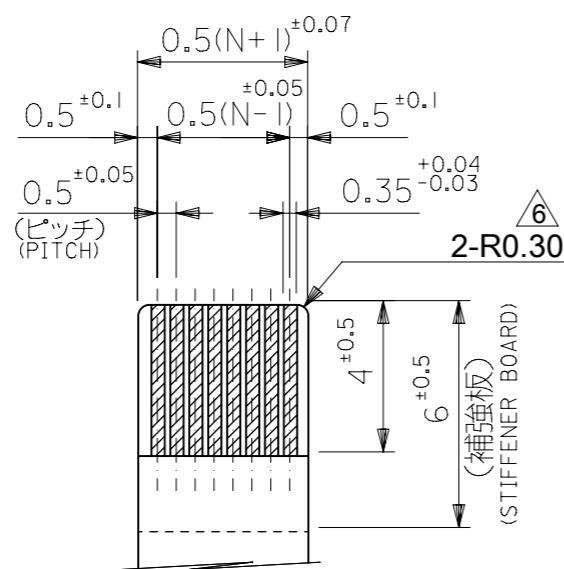


THIS DRAWING CONTAINS INFORMATION THAT IS PROPRIETARY TO MOLEX ELECTRONIC TECHNOLOGIES, LLC AND SHOULD NOT BE USED WITHOUT WRITTEN PERMISSION															
DIMENSION UNITS		SCALE		CURRENT REV DESC: REMOVED OBSOLETE PART NUMBER AS PER PCN#512672.											
mm		8:1													
GENERAL TOLERANCES (UNLESS SPECIFIED)															
ANGULAR TOL ± 3.0°															
4 PLACES		± 0.2													
3 PLACES		± 0.2													
2 PLACES		± 0.2													
1 PLACE		± 0.25													
0 PLACES		± 0.3		EC NO: 724799 DRWN: SANTHN 2022/10/14 CHK'D: GGA 2022/11/03 APPR: GGA 2022/11/03 INITIAL REVISION: DRWN: AISHII 2012/09/05 APPR: KMORIKAWA 2013/03/15											
DRAFT WHERE APPLICABLE MUST REMAIN WITHIN DIMENSIONS				THIRD ANGLE PROJECTION		DRAWING		SERIES		MATERIAL NUMBER		CUSTOMER		SHEET NUMBER	
						A3-SIZE		52559		SEE CHART		GENERAL MARKET		1 OF 6	



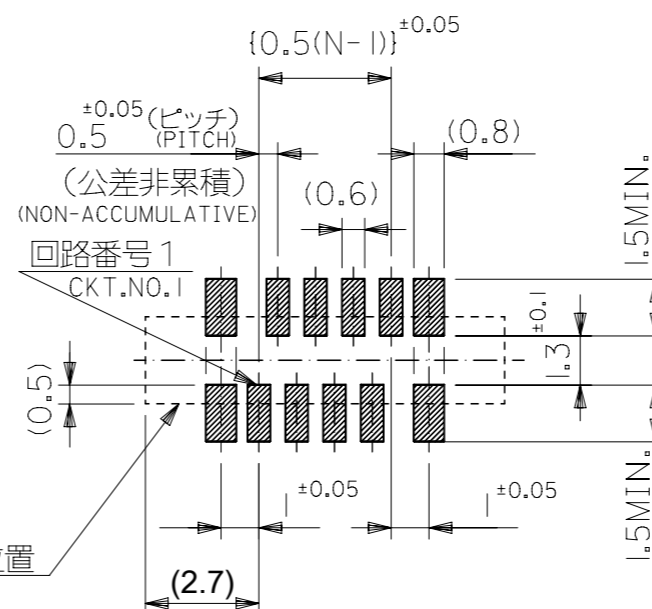
適合 FFC 推奨寸法
APPLICABLE FFC
RECOMMENDED DIMENSION.

(仕上がり厚さ: 0.3 ± 0.05)
(THICKNESS: 0.3 ± 0.05)



適合 FPC 推奨寸法
APPLICABLE FPC
RECOMMENDED DIMENSION.

(仕上がり厚さ: 0.3 ± 0.05)
(THICKNESS: 0.3 ± 0.05)

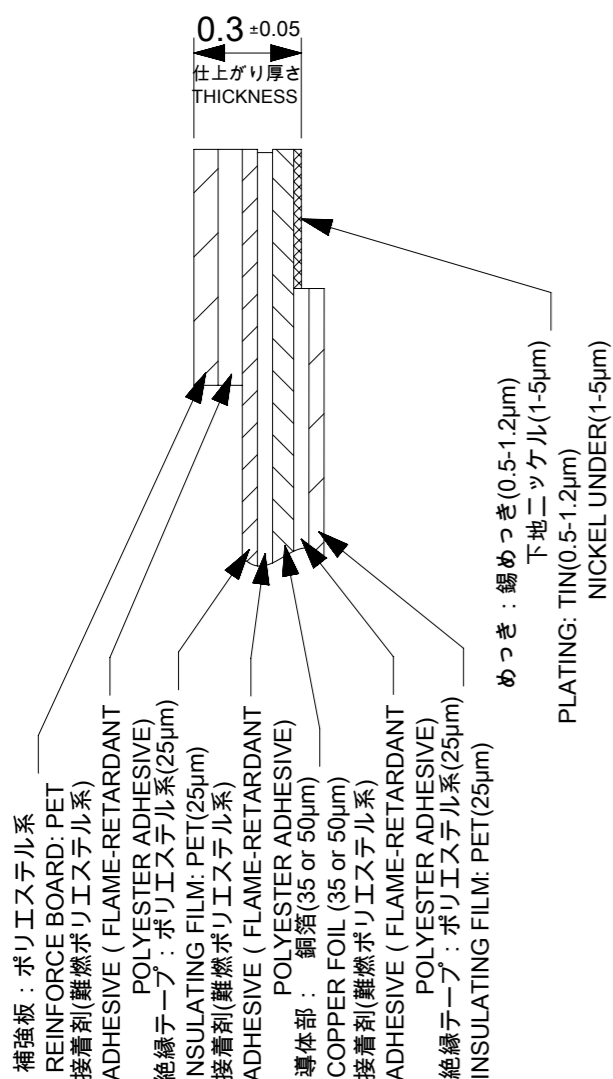


コネクタ位置
CONNECTOR
POSITION

推奨基板レイアウト
(マウンド面)

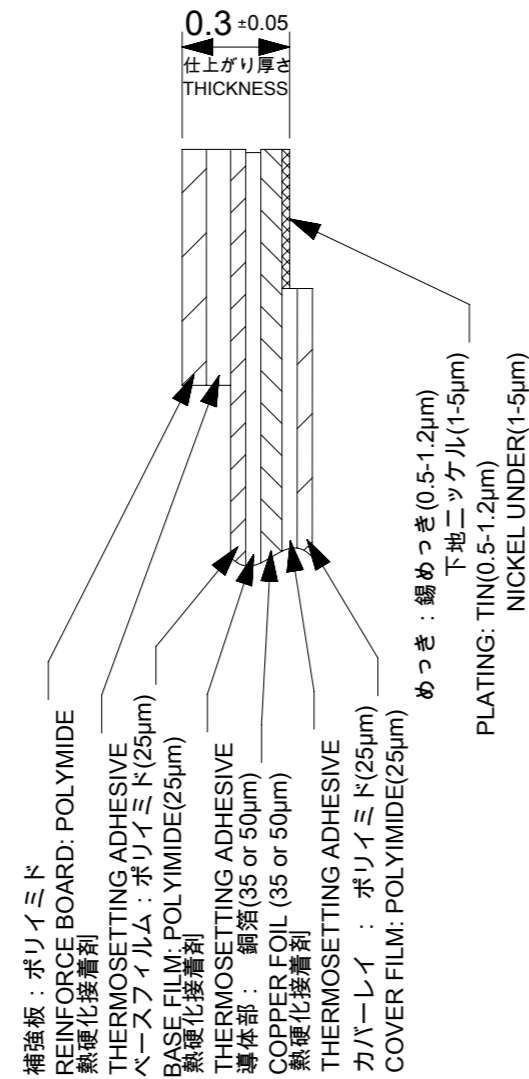
RECOMMENDED P.C. BOARD
PATTERN DIMENSION
(MOUNTING SIDE)

マスク厚 : 150µm
マスク開口率 : 100%
SCREEN THICKNESS : 150µm
SCREEN OPEN RATIO : 100%



FFC構成推奨仕様

RECOMMENDED STRUCTURE OF FFC



FPC構成推奨仕様

RECOMMENDED STRUCTURE OF FPC

FPC/FFCについて:

抜き方向は、導体側から補強板側を推奨致します。
尚、接着剤の接点部への付着は導通不良の原因になりますので、
染み出しが無い様お願い致します。

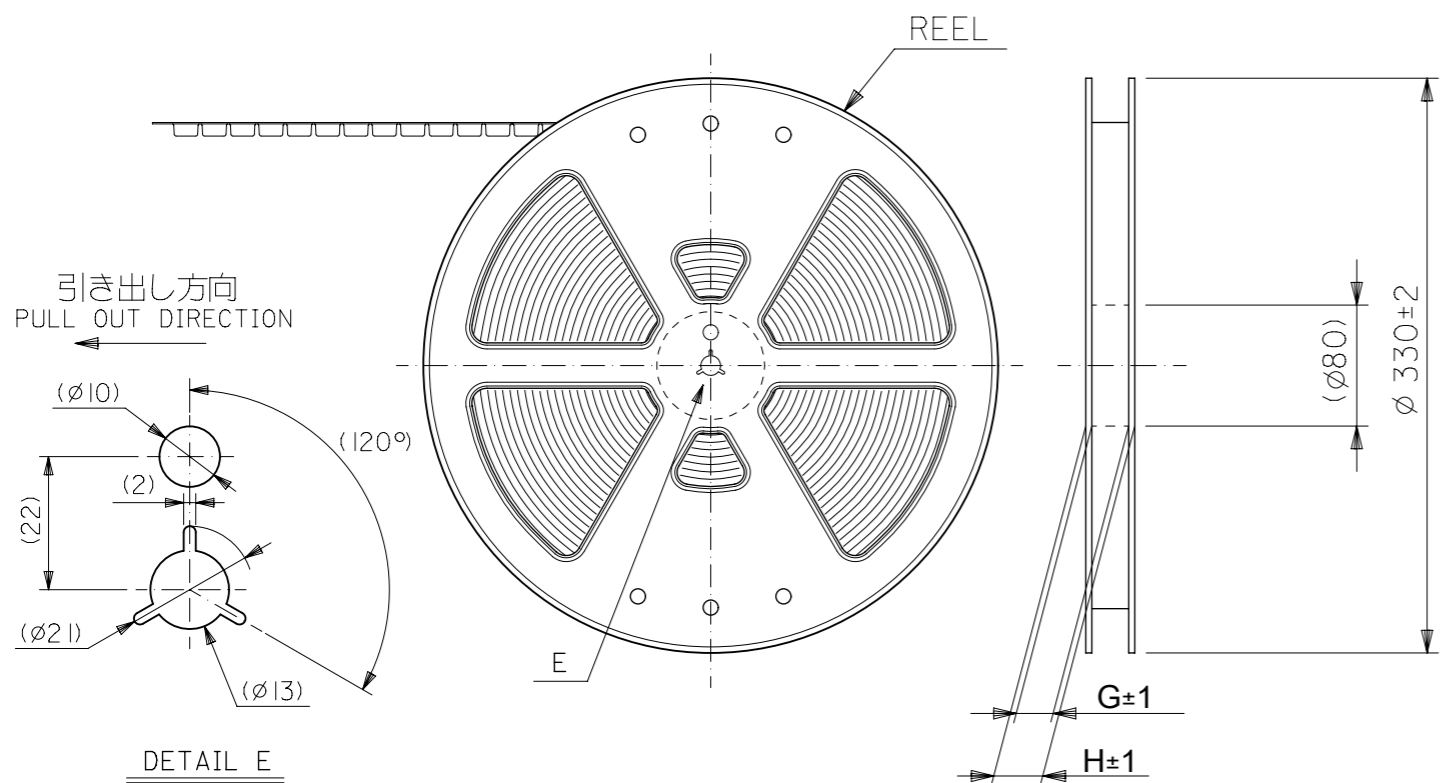
ABOUT FPC/FFC:

RECOMMENDED PUNCHER DIRECTION:
FROM CONDUCTOR SIDE TO STIFFNER SIDE
PLEASE PUT APPROPRIATE AMOUNT OF ADHESIVE ON ADHEREND
BECAUSE THERE IS A POSSIBILITY THAT THE EXTRA ADHESIVE
CAUSES THE DEFECT IN ELECTRICAL CONTINUITY.

25.7	24.9	20.65	19.5	52559-4033	40
23.7	22.9	18.65	17.5	52559-3633	36
21.7	20.9	16.65	15.5	52559-3233	32
20.7	19.9	15.65	14.5	52559-3033	30
19.7	18.9	14.65	13.5	52559-2833	28
18.7	17.9	13.65	12.5	52559-2633	26
17.7	16.9	12.65	11.5	52559-2433	24
16.2	15.4	11.15	10.0	52559-2133	21
15.7	14.9	10.65	9.5	52559-2033	20
14.2	13.4	9.15	8.0	52559-1733	17
13.7	12.9	8.65	7.5	52559-1633	16
13.2	12.4	8.15	7.0	52559-1533	15
12.7	11.9	7.65	6.5	52559-1433	14
11.7	10.9	6.65	5.5	52559-1233	12
10.7	9.90	5.65	4.5	52559-1033	10
10.2	9.40	5.15	4.0	52559-0933	9
8.70	7.90	3.65	2.5	52559-0633	6
D	C	B	(A)	ORDER NO.	CKT.

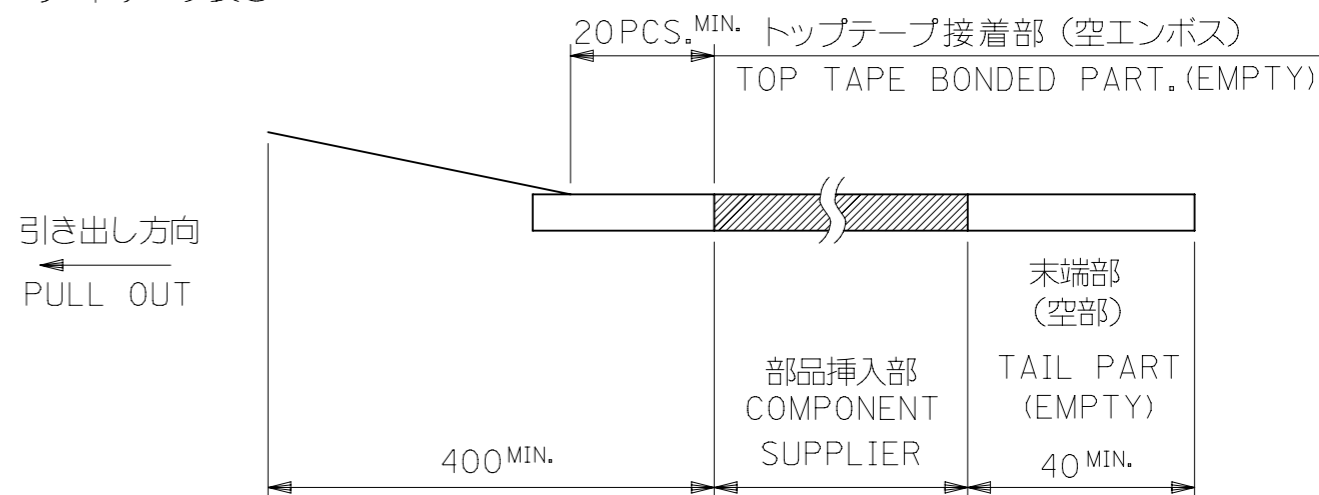
THIS DRAWING CONTAINS INFORMATION THAT IS PROPRIETARY TO MOLEX ELECTRONIC TECHNOLOGIES, LLC AND SHOULD NOT BE USED WITHOUT WRITTEN PERMISSION

DIMENSION UNITS mm	SCALE 5:1	CURRENT REV DESC: REMOVED OBSOLETE PART NUMBER AS PER PCN#512672.	molex		
GENERAL TOLERANCES (UNLESS SPECIFIED)		EC NO: 724799			
ANGULAR TOL ± 3.0°	4 PLACES ± 0.2	DRWN: SANTHN 2022/10/14	PRODUCT CUSTOMER DRAWING		
2 PLACES ± 0.2	1 PLACE ± 0.25	CHK'D: GGA 2022/11/03	DOCUMENT NUMBER		
0 PLACES ± 0.3	INITIAL REVISION:	APPR: GGA 2022/11/03	DOC TYPE DOC PART REVISION		
DRAFT WHERE APPLICABLE MUST REMAIN WITHIN DIMENSIONS	THIRD ANGLE PROJECTION	DRWN: AISHII 2012/09/05	SD-52559-058 PSD 001 C1		
	DRAWING	APPR: KMORIKAWA 2013/03/15	SHEET NUMBER		
	A3-SIZE	SERIES 52559	2 OF 6		
		MATERIAL NUMBER	CUSTOMER		
		SEE CHART	GENERAL MARKET		



注記 NOTES

- 梱包状態はアクチュエータがロックした状態とする。
IN THE PACKAGE, ACTUATOR SHOULD BE LOCKED.
- 梱包数量：1000個/リール
NUMBER OF CONNECTORS:1000PCS/REEL
- リードテープ長さ LEAD TAPE LENGTH



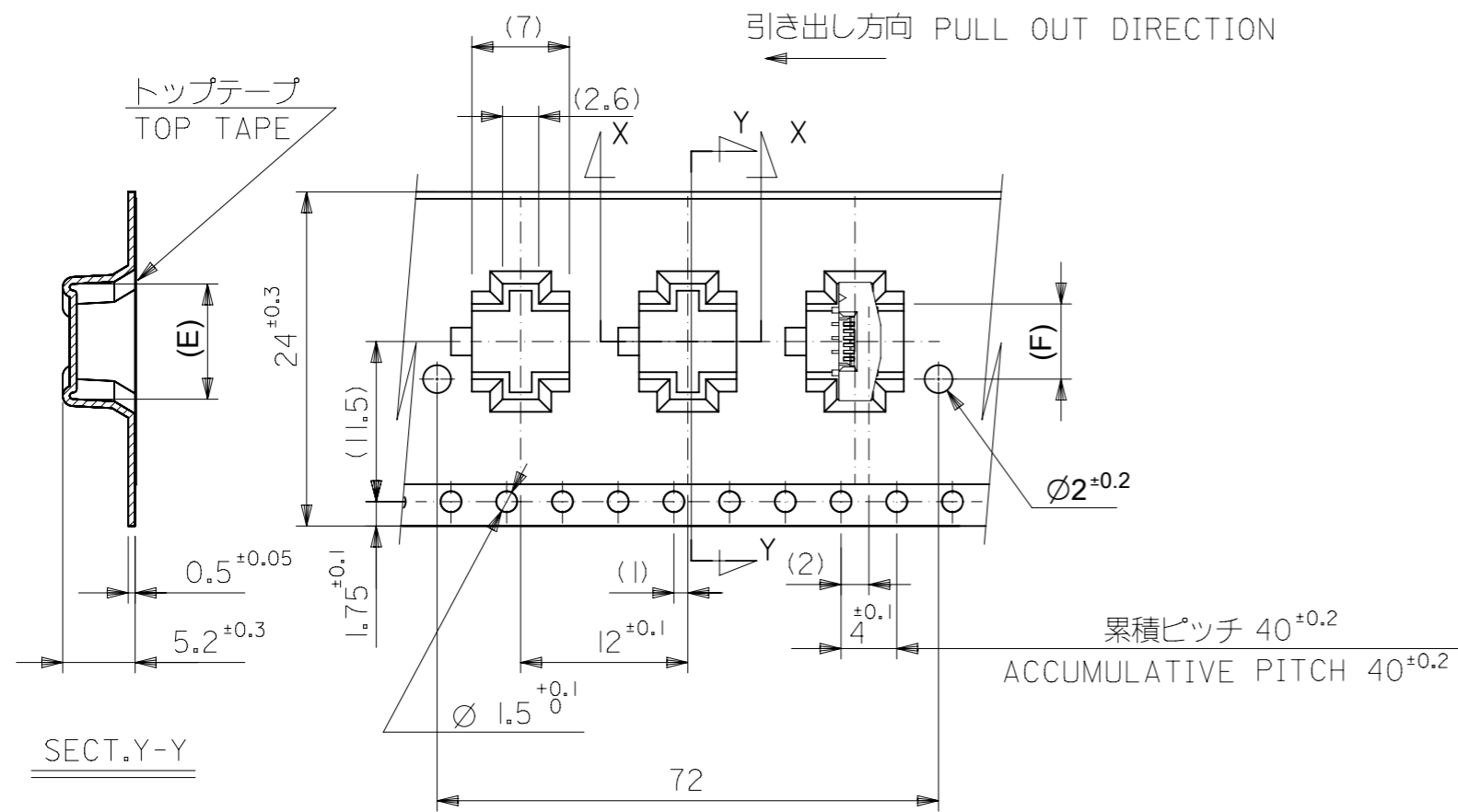
- カバーテープの剥離強度については、IEC60286-3に準拠
COVER TAPE PEEL FORCE IS DEFINED BY IEC 60286-3.

- 材料 キャリアテープ：ポリプロピレン (PP)
トップテープ：PET, PE, PEF
リール：ポリスチレン (PS) <リサイクル材を含む>

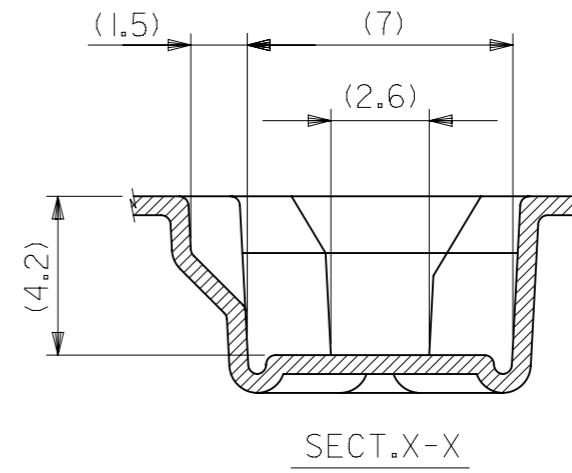
MATERIAL CARRIER TAPE:POLYPROPYLENE
TOP TAPE:PET,PE,PEF
REEL:POLYSTYRENE (PS)
<RECYCLE MATERIAL CONTAINED>

- ELV及びRoHS適合品
ELV AND RoHS COMPLIANT

THIS DRAWING CONTAINS INFORMATION THAT IS PROPRIETARY TO MOLEX ELECTRONIC TECHNOLOGIES, LLC AND SHOULD NOT BE USED WITHOUT WRITTEN PERMISSION										
DIMENSION UNITS	SCALE	CURRENT REV DESC: REMOVED OBSOLETE PART NUMBER AS PER PCN#512672.			molex					
mm	±±									
GENERAL TOLERANCES (UNLESS SPECIFIED)		EC NO: 724799			EMBOSS TAPE PACKAGED FOR 0.5MM FPC CONN ZIF S/T HOUSING ASSY					
ANGULAR TOL ± 3.0°		DRWN: SANTHN 2022/10/14			PRODUCT CUSTOMER DRAWING					
4 PLACES ± 0.2		CHK'D: GGA 2022/11/03			DOCUMENT NUMBER					
3 PLACES ± 0.2		APPR: GGA 2022/11/03			SD-52559-058			DOC TYPE	DOC PART	REVISION
2 PLACES ± 0.2		INITIAL REVISION:			PSD 001 C1					
1 PLACE ± 0.25		DRWN: AISHII 2012/09/05			MATERIAL NUMBER					
0 PLACES ± 0.3		APPR: KMORIKAWA 2013/03/15			CUSTOMER					
DRAFT WHERE APPLICABLE MUST REMAIN WITHIN DIMENSIONS		THIRD ANGLE PROJECTION	DRAWING	SERIES	SEE CHART		GENERAL MARKET		SHEET NUMBER	
			A3-SIZE	52559					3 OF 6	



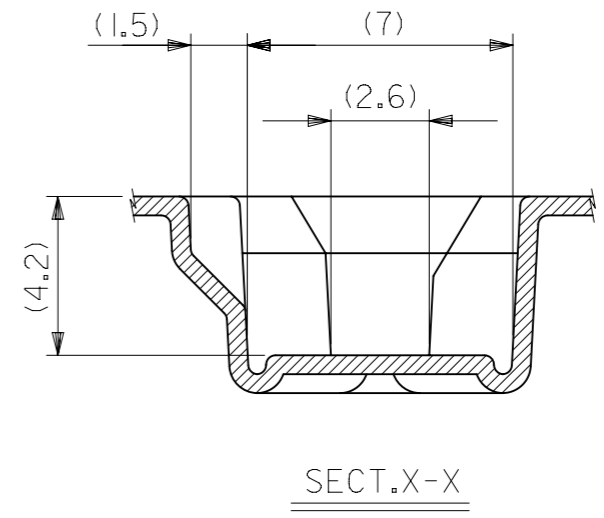
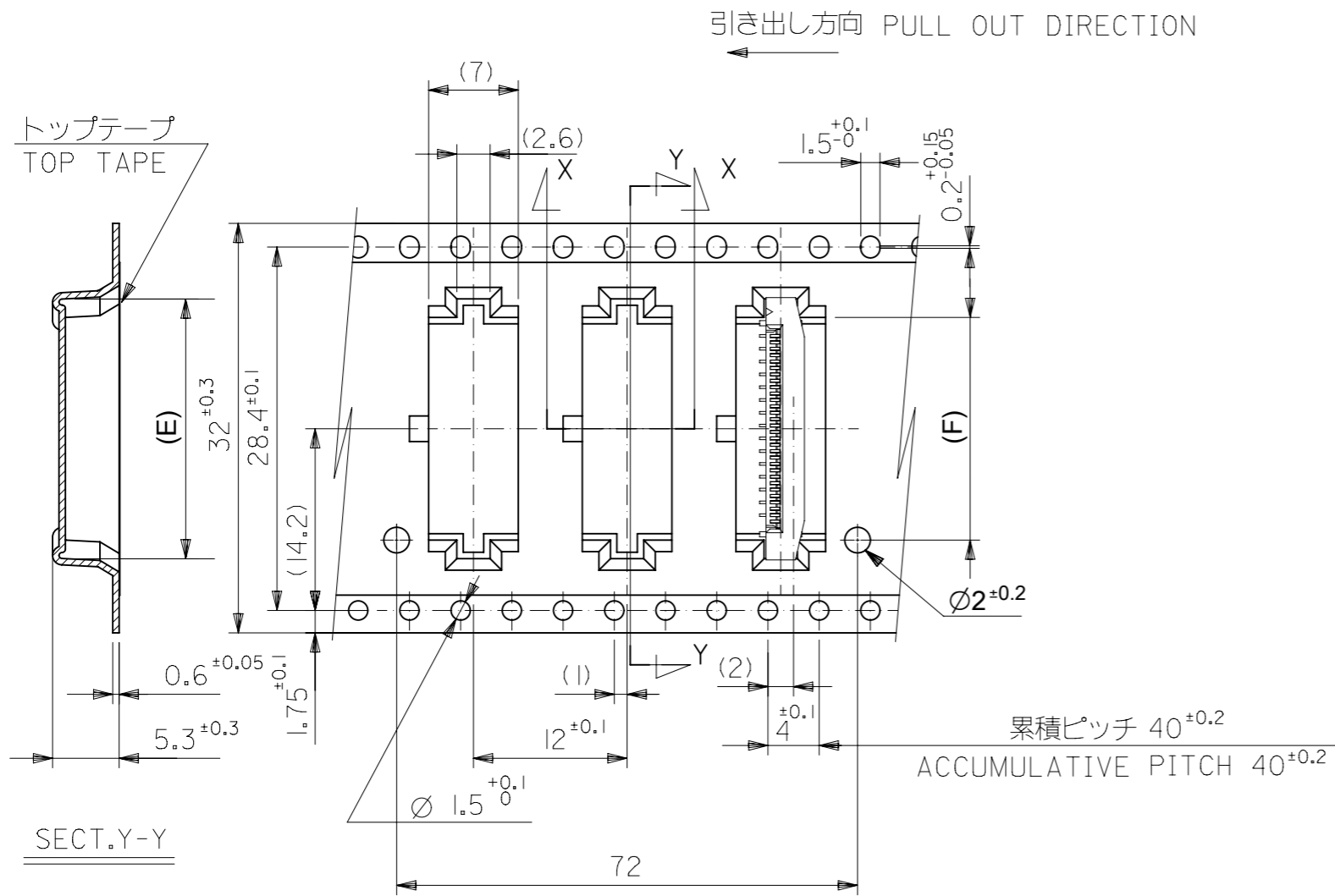
24mm幅キャリアテープ
24mm WIDTH CARRIER TAPE



24	29.4	25.4	14.4	17.3	52559-2433	24		
			12.9	15.8	52559-2133	21		
			12.4	15.3	52559-2033	20		
			10.9	13.8	52559-1733	17		
			10.4	13.3	52559-1633	16		
			9.9	12.8	52559-1533	15		
			9.4	12.3	52559-1433	14		
			8.4	11.3	52559-1233	12		
			7.4	10.3	52559-1033	10		
			6.9	9.8	52559-0933	9		
5.4	8.3	52559-0633	6					
CARRIER TAPE WIDTH			H	G	(F)	(E)	ORDER No.	CKT

THIS DRAWING CONTAINS INFORMATION THAT IS PROPRIETARY TO MOLEX ELECTRONIC TECHNOLOGIES, LLC AND SHOULD NOT BE USED WITHOUT WRITTEN PERMISSION

DIMENSION UNITS mm	SCALE ±±	CURRENT REV DESC: REMOVED OBSOLETE PART NUMBER AS PER PCN#512672.	molex		
GENERAL TOLERANCES (UNLESS SPECIFIED)		EC NO: 724799 DRWN: SANTHN CHK'D: GGA APPR: GGA			
ANGULAR TOL ± 3.0°	4 PLACES ± 0.2	2022/10/14	PRODUCT CUSTOMER DRAWING		
3 PLACES ± 0.2	2 PLACES ± 0.2	2022/11/03	DOCUMENT NUMBER		
2 PLACES ± 0.2	1 PLACE ± 0.25	2022/11/03	SD-52559-058		
1 PLACE ± 0.25	0 PLACES ± 0.3	2012/09/05	DOC TYPE	DOC PART	REVISION
DRAFT WHERE APPLICABLE MUST REMAIN WITHIN DIMENSIONS	THIRD ANGLE PROJECTION	2013/03/15	PSD	001	C1
	DRAWING	SERIES	MATERIAL NUMBER	CUSTOMER	SHEET NUMBER
	A3-SIZE	52559	SEE CHART	GENERAL MARKET	4 OF 6

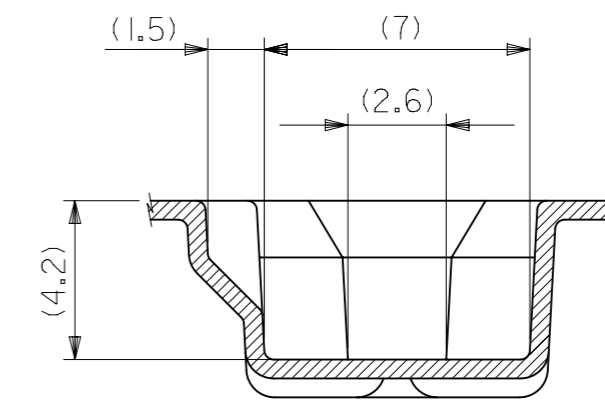
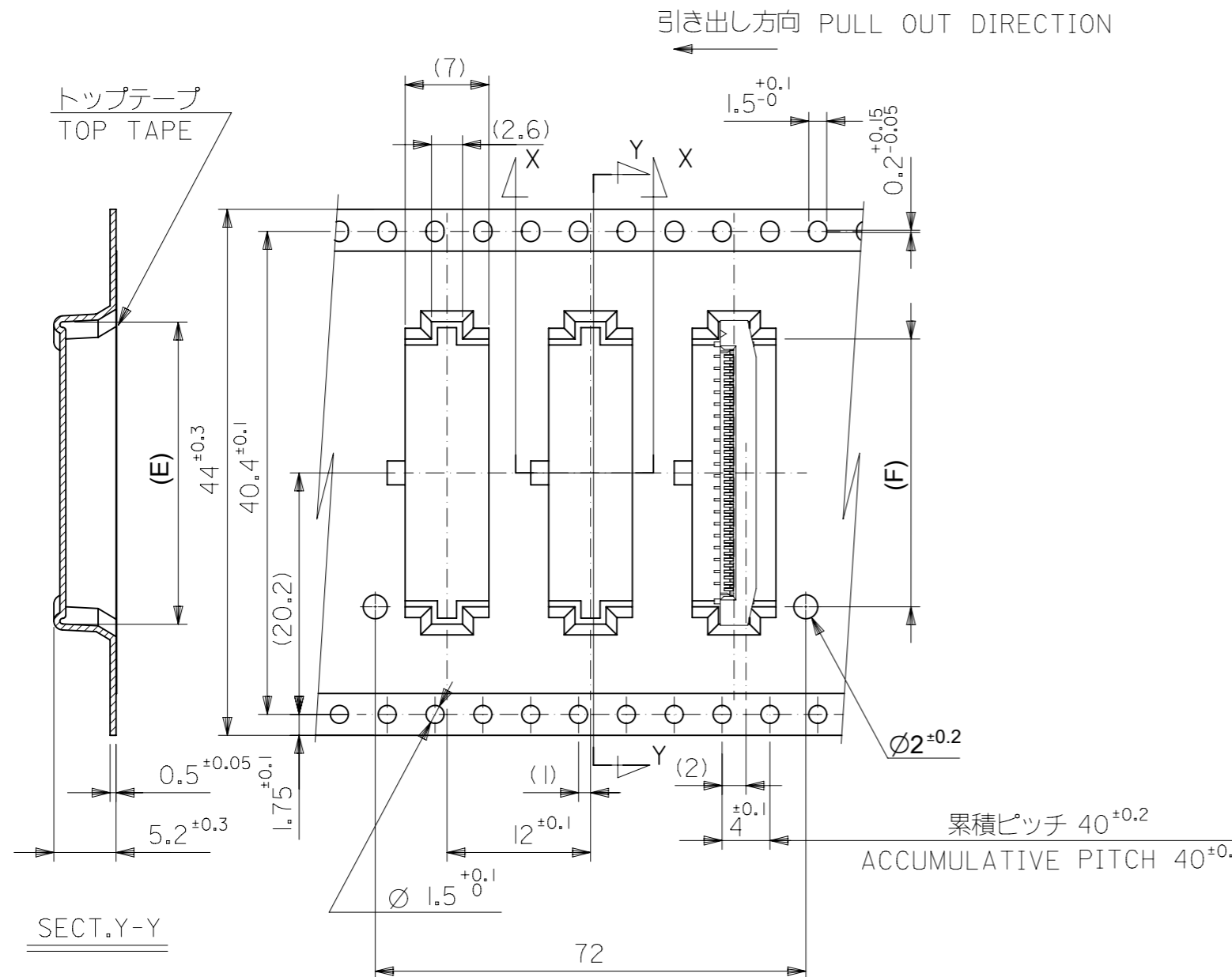


32mm幅キャリアテープ
32mm WIDTH CARRIER TAPE

32	37.4	33.4	18.4	21.3	52559-3233	32	
			17.4	20.3	52559-3033	30	
			16.4	19.3	52559-2833	28	
			15.4	18.3	52559-2633	26	
CARRIER TAPE WIDTH		H	G	(F)	(E)	ORDER No.	CKT.

THIS DRAWING CONTAINS INFORMATION THAT IS PROPRIETARY TO MOLEX ELECTRONIC TECHNOLOGIES, LLC AND SHOULD NOT BE USED WITHOUT WRITTEN PERMISSION

DIMENSION UNITS mm	SCALE ≠	CURRENT REV DESC: REMOVED OBSOLETE PART NUMBER AS PER PCN#512672.	molex			
GENERAL TOLERANCES (UNLESS SPECIFIED)						
ANGULAR TOL	± 3.0°		EMBOSS TAPE PACKAGED FOR 0.5MM FPC CONN ZIF S/T HOUSING ASSY			
4 PLACES	± 0.2	EC NO: 724799	PRODUCT CUSTOMER DRAWING			
3 PLACES	± 0.2	DRWN: SANTHN 2022/10/14	DOCUMENT NUMBER			
2 PLACES	± 0.2	CHK'D: GGA 2022/11/03	SD-52559-058			
1 PLACE	± 0.25	APPR: GGA 2022/11/03	DOC TYPE DOC PART REVISION			
0 PLACES	± 0.3	INITIAL REVISION:	PSD 001 C1			
DRAFT WHERE APPLICABLE MUST REMAIN WITHIN DIMENSIONS	THIRD ANGLE PROJECTION	DRW: AISHII 2012/09/05	MATERIAL NUMBER			
		APPR: KMORIKAWA 2013/03/15	CUSTOMER			
			SEE CHART GENERAL MARKET			
			SHEET NUMBER			
			5 OF 6			



44mm幅キャリアテープ
44mm WIDTH CARRIER TAPE

44	49.4	45.4	22.4	25.3	52559-4033	40
			20.4	23.3	52559-3633	36
CARRIER TAPE WIDTH	H	G	(F)	(E)	ORDER No.	CKT

THIS DRAWING CONTAINS INFORMATION THAT IS PROPRIETARY TO MOLEX ELECTRONIC TECHNOLOGIES, LLC AND SHOULD NOT BE USED WITHOUT WRITTEN PERMISSION

DIMENSION UNITS mm	SCALE ±±	CURRENT REV DESC: REMOVED OBSOLETE PART NUMBER AS PER PCN#512672.	molex		
GENERAL TOLERANCES (UNLESS SPECIFIED)					
ANGULAR TOL	± 3.0 °		EMBOSS TAPE PACKAGED FOR 0.5MM FPC CONN ZIF S/T HOUSING ASSY		
4 PLACES	± 0.2	EC NO: 724799	PRODUCT CUSTOMER DRAWING		
3 PLACES	± 0.2	DRWN: SANTHN	2022/10/14		
2 PLACES	± 0.2	CHK'D: GGA	2022/11/03		
1 PLACE	± 0.25	APPR: GGA	2022/11/03		
0 PLACES	± 0.3	INITIAL REVISION:	DOCUMENT NUMBER		
		DRWN: AISHII	2012/09/05	SD-52559-058	PSD
		APPR: KMORIKAWA	2013/03/15	001	C1
DRAFT WHERE APPLICABLE MUST REMAIN WITHIN DIMENSIONS	THIRD ANGLE PROJECTION	DRAWING	SERIES	MATERIAL NUMBER	CUSTOMER
	⊕	A3-SIZE	52559	SEE CHART	GENERAL MARKET
					SHEET NUMBER
					6 OF 6