

(E)

NOTES:

1. MATERIAL:
 - (A). SCREW: SEE LEGEND
 - (B). INSULATOR: PBT, UL94V-0
 - (C). TERMINAL: BRASS, TIN PLATED
2. NUMBER OF CIRCUIT POSITIONS AVAILABLE: 2 THROUGH 15
3. ELECTRICAL RATINGS:
 - (A). MAXIMUM VOLTAGE: 600V
 - (B). MAXIMUM CURRENT: 50A
 - (C). INSULATION RESISTANCE: 500MΩ PER MINUTE
 - (D). DIELECTRIC WITHSTAND VOLTAGE: 2200V AC
4. WIRE RANGE: 8 TO 20 AWG (SOLID OR STRANDED COPPER)
5. RECOMMENDED WIRE STRIP LENGTH: 0.32 IN. (8mm)
6. SCREW TORQUE: 16 LBF. IN. (1.8Nm)
7. OPERATING TEMPERATURE: -40°C TO +120°C

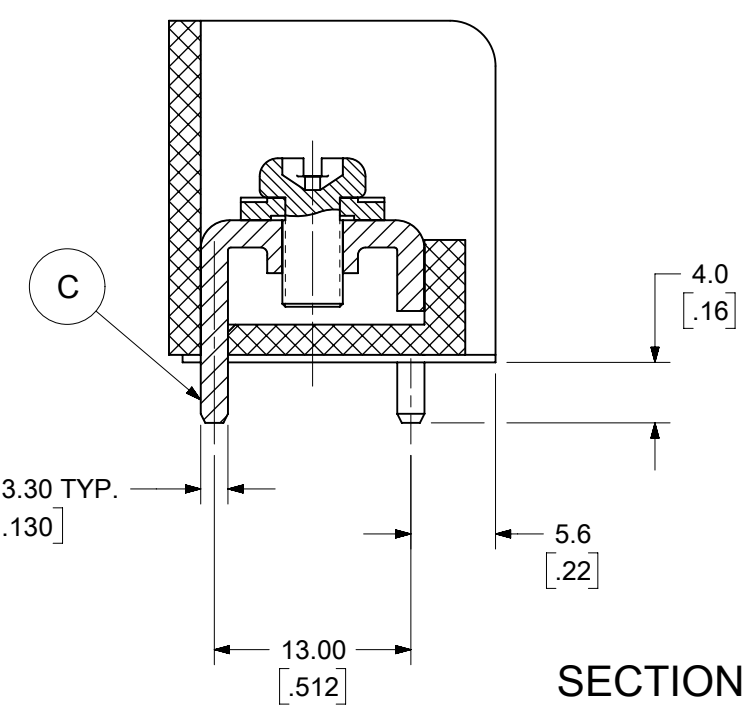
MATERIAL NUMBER LEGEND

389 XX X X XX

INSULATOR STYLE ——— NO. OF CIRCUITS
 69- NO MOUNTING ENDS (02 - 15)

TERMINAL STYLE ——— SCREW STYLE
 0 - PC TAILS 0 - M4 WITH SQUARE WASHER, STEEL, NICKEL PLATED

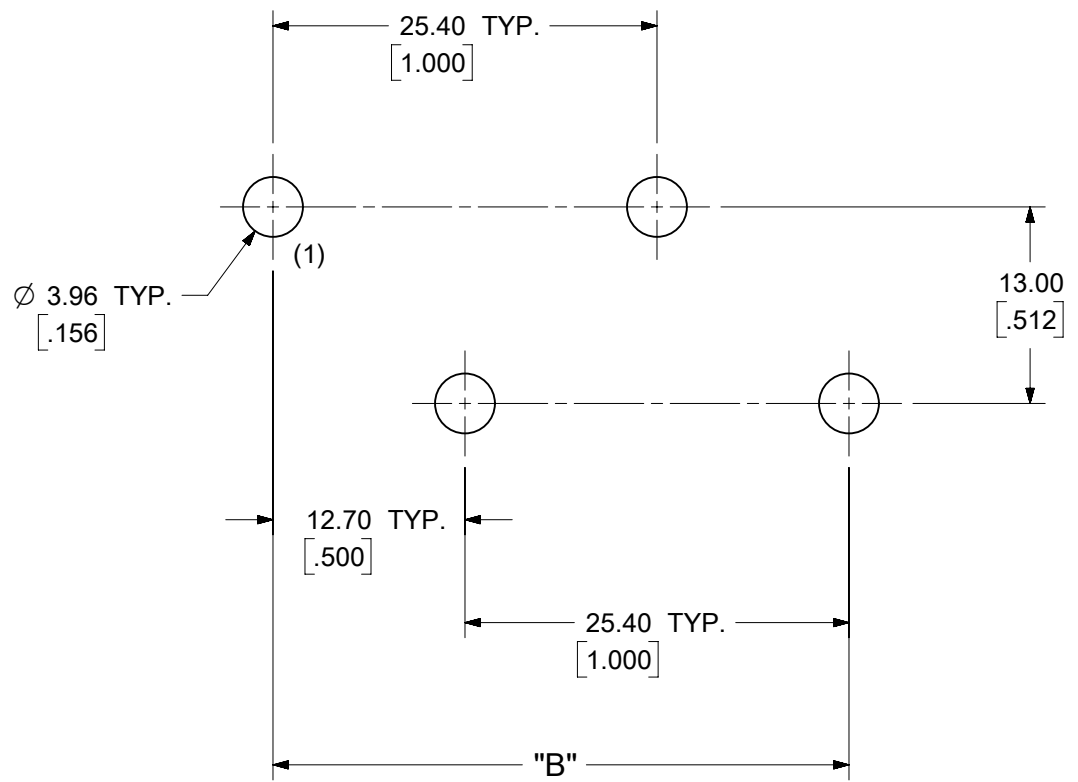
TERM. STYLE 0 - PC TAILS



SECTION A-A

THIS DRAWING CONTAINS INFORMATION THAT IS PROPRIETARY TO MOLEX ELECTRONIC TECHNOLOGIES, LLC AND SHOULD NOT BE USED WITHOUT WRITTEN PERMISSION									
SYMBOLS		DIMENSION UNITS		SCALE		CURRENT REV DESC: UPDATED NOTES SECTION			
▽ = 0		MM/INCH		2:1		EC NO: 632901			
▽ = 0		GENERAL TOLERANCES (UNLESS SPECIFIED)				DRWN: ABENJAMINLW 2020/01/14			
▽ = 0		4 PLACES ± --- ± ---		MM		INCH		CHK'D: DACHAMMER 2020/02/25	
▽ = 0		3 PLACES ± --- ± .005		MM		INCH		APPR: JFMURPHY 2020/03/09	
▽ = 0		2 PLACES ± 0.13 ± .01		MM		INCH		INITIAL REVISION:	
▽ = 0		1 PLACE ± 0.3 ± ---		MM		INCH		DRWN: CLYORK 2006/11/22	
▽ = 0		0 PLACES ± --- ± ---		MM		INCH		APPR: JMACNEIL 2006/12/01	
▽ = 0		ANGULAR TOL ± 2°		MM		INCH		DOCUMENT NUMBER	
▽ = 0		DRAFT WHERE APPLICABLE MUST REMAIN WITHIN DIMENSIONS		THIRD ANGLE PROJECTION		DRAWING		SERIES	
▽ = 0		THIRD ANGLE PROJECTION		DRAWING		SERIES		MATERIAL NUMBER	
▽ = 0		B-SIZE		38969		SEE LEGEND		CUSTOMER	
▽ = 0		B-SIZE		38969		SEE LEGEND		GENERAL MARKET	
▽ = 0		B-SIZE		38969		SEE LEGEND		SHEET NUMBER	
▽ = 0		B-SIZE		38969		SEE LEGEND		1 OF 2	

QUANTITY OF CIRCUITS	DIM. "A"		DIM. "B"	
	mm	IN	mm	IN
02	27.9	1.10	12.70	.500
03	40.6	1.60	25.40	1.000
04	53.3	2.10	38.10	1.500
05	66.0	2.60	50.80	2.000
06	78.7	3.10	63.50	2.500
07	91.4	3.60	76.20	3.000
08	104.1	4.10	88.90	3.500
09	116.8	4.60	101.60	4.000
10	129.5	5.10	114.30	4.500
11	142.2	5.60	127.00	5.000
12	154.9	6.10	139.70	5.500
13	167.6	6.60	152.40	6.000
14	180.3	7.10	165.10	6.500
15	193.0	7.60	177.80	7.000



RECOMMENDED PCB LAYOUT

THIS DRAWING CONTAINS INFORMATION THAT IS PROPRIETARY TO MOLEX ELECTRONIC TECHNOLOGIES, LLC AND SHOULD NOT BE USED WITHOUT WRITTEN PERMISSION										
SYMBOLS	DIMENSION UNITS	SCALE	CURRENT REV DESC: UPDATED NOTES SECTION							
	MM/INCH	2:1								
GENERAL TOLERANCES (UNLESS SPECIFIED)			EC NO: 632901							
	MM	INCH	DRWN: ABENJAMINLW 2020/01/14							
4 PLACES	± .01	± .005	CHK'D: DACHAMMER 2020/02/25							
3 PLACES	± .01	± .005	APPR: JFMURPHY 2020/03/09							
2 PLACES	± 0.13	± .01	INITIAL REVISION:							
1 PLACE	± 0.3	± .01	DRWN: CLYORK 2006/11/22							
0 PLACES	± .01	± .005	APPR: JMACNEIL 2006/12/01							
ANGULAR TOL	± 2°		DOCUMENT NUMBER							
DRAFT WHERE APPLICABLE MUST REMAIN WITHIN DIMENSIONS			THIRD ANGLE PROJECTION	DRAWING	SERIES	MATERIAL NUMBER	CUSTOMER	DOC TYPE	DOC PART	REVISION
				B-SIZE	38969	SEE LEGEND	GENERAL MARKET	PSD	001	E
								SHEET NUMBER		
								2 OF 2		