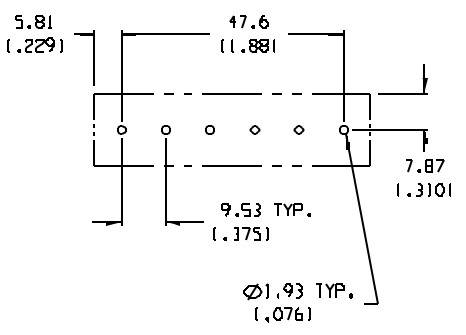
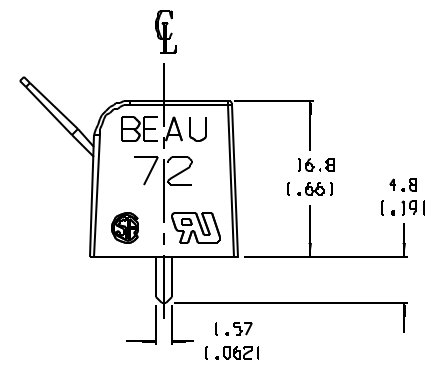
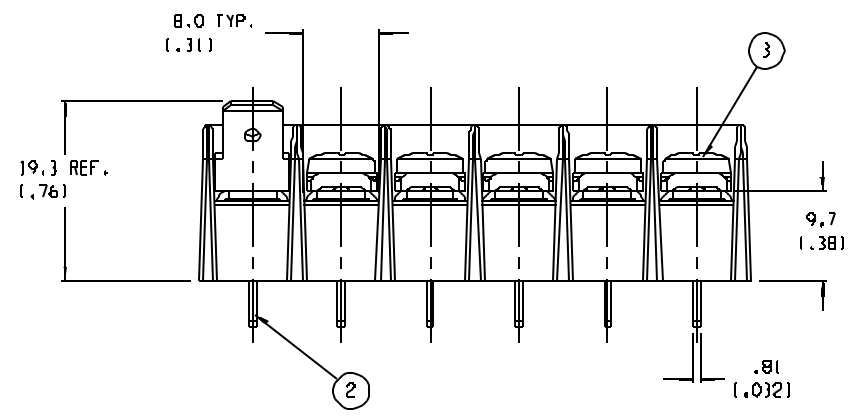


AUX. VIEW
SCALE 1:1



RECOMMENDED PLATED THRU HOLE PATTERN
SCALE 1:1



- NOTES:
1. MATERIAL: SEE TABLE
 2. FINISHES: SEE TABLE
 3. PRODUCT SPECIFICATION: NOT REQUIRED
 4. PACKAGING: NOT REQUIRED
 5. MATES WITH: NONE
 6. .1 INCH DIMS ARE SHOWN IN PARENTHESES (XXX)
 7. STANDARD SCREW (ITEM 4) AND FAST TAB TERMINAL (ITEM 5) ARE PLACED ON POS. 1 ONLY, AS SHOWN

ITEM	QTY.	DESCRIPTION	MATERIAL	FINISH
5	1	TERM, FAST TAB, .250 X .032	BRASS	TIN PLATED
4	1	SCREW, #6-32 X .250, PH-SL	STEEL	ZN, CLEAR CHROMATE
3	5	SCREW, #6-32 X .250, W/SO, WASHER, PH-SL	STEEL	ZN, CLEAR CHROMATE
2	6	TERMINAL, PC, STYLE 5	BRASS	TIN PLATED
1	1	BARRIER TERMINAL STRIP	THERMOPLASTIC	BLACK

REV	DESCRIPTION
A	RELEASED CLY

QUALITY SYMBOLS	
MAJOR	MINOR
CRITICAL	
SPECIAL	

GENERAL TOLERANCES UNLESS SPECIFIED	
mm	INCH
1 PLACES	±.0015
3 PLACES	±.008
2 PLACES	±.13
1 PLACE	±.3
ANGULAR: ±2°	
DRAFT WHERE APPLICABLE MUST REMAIN WITHIN DIMENSIONS	

SCALE: 2:1	DESIGN UNITS: <input type="checkbox"/> MM <input checked="" type="checkbox"/> INCH
THIRD ANGLE PROJECTION	
DRAWN BY & DATE: C. YORK 02-16-04	
CHECKED BY & DATE:	
APPROVED BY & DATE:	

PROJECT NO.:	-	-
DIMENSIONS:	MM	INCH
SHIT	REV	
REVISE ON CAD ONLY		
TITLE: SR BTS, PC, FAST TAB, CS 6 ASSY, NO MTG		
MOLEX INCORPORATED		
CAD FILENAME: 72F506-C1814HSP673	MATERIAL NO.: 387291514	DRAWING NO.: SD-38729-027
THIS DRAWING CONTAINS INFORMATION THAT IS PROPRIETARY TO MOLEX INCORPORATED AND SHOULD NOT BE USED WITHOUT WRITTEN PERMISSION.		SHEET NO.: 1 OF 1
		SIZE: B