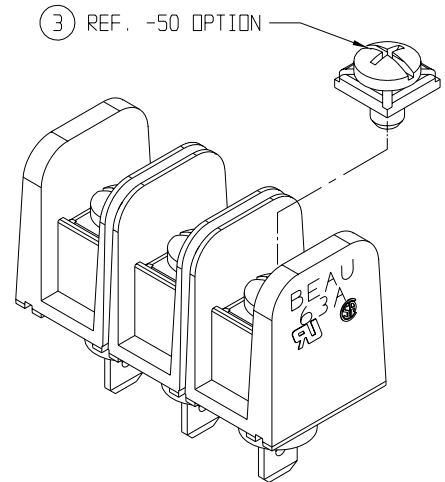
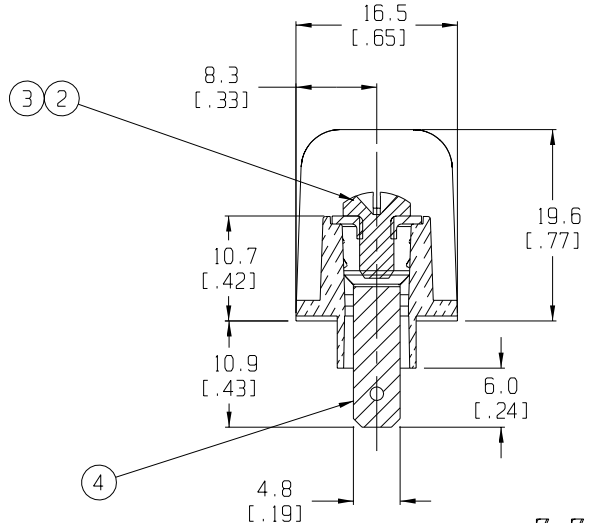
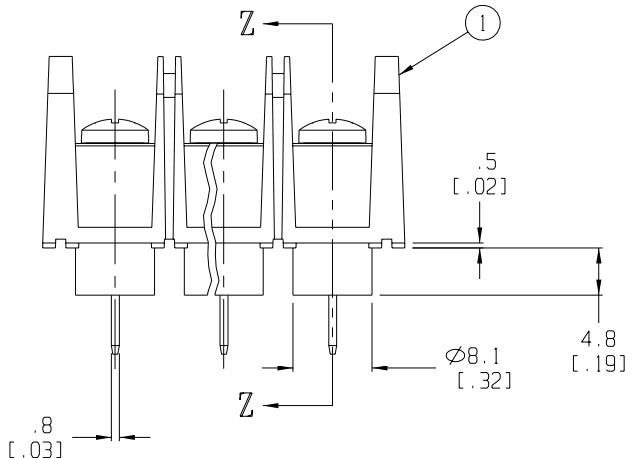


- NOTES:
1. MATERIAL: SEE TABLE
 2. FINISHES: SEE TABLE
 3. PRODUCT SPECIFICATION: NOT REQUIRED
 4. INCH DIMS ARE SHOWN IN PARENTHESIS (XXX)
 5. "XX" REFERS TO QTY. OF CIRCUITS

MATERIAL NUMBER (STD.)	MATERIAL NUMBER (-50)	NO. OF CIRCUITS	A	B
386316802	386317402	2	25.9 (1.02)	11.13 (.438)
386316803	386317403	3	37.1 (1.46)	22.22 (.875)
386316804	386317404	4	48.3 (1.90)	33.35 (1.313)
386316805	386317405	5	59.2 (2.33)	44.45 (1.750)
386316806	386317406	6	70.4 (2.77)	55.57 (2.188)
386316807	386317407	7	81.5 (3.21)	66.67 (2.625)
386316808	386317408	8	92.7 (3.65)	77.80 (3.063)
386316809	386317409	9	103.6 (4.08)	88.90 (3.500)
386316810	386317410	10	114.8 (4.52)	100.03 (3.938)
386316811	386317411	11	125.9 (4.96)	111.13 (4.375)
386316812	386317412	12	137.2 (5.40)	122.25 (4.813)
386316813	386317413	13	148.1 (5.83)	133.35 (5.250)
386316814	386317414	14	159.3 (6.27)	144.45 (5.687)
386316815	386317415	15	170.4 (6.71)	155.58 (6.125)
386316816	386317416	16	181.6 (7.15)	166.70 (6.563)



ITEM	QTY.	DESCRIPTION	MATERIAL	FINISH
4	XX	TERMINAL, FAST-TAB	BRASS	TIN PLATE
3	XX	PAN HD. SCREW & WASHER, 6-32	BRASS	BRT.ZINC PLATE
2	XX	BINDING HD. SCREW, 6-32	STEEL	BRT.ZINC PLATE
1	1	BARRIER TERMINAL STRIP	PVC	BLACK

ECD 11339 RELEASE R. STONE CH K: APPR:	QUALITY SYMBOLS MAJOR = CRITICAL C = SPC S =	GENERAL TOLERANCES: (UNLESS SPECIFIED) 4 PLACES ±.0015 3 PLACES ±.038 ±.005 2 PLACES ±.13 ±.01 1 PLACE ±.3 ANGULAR: ±2° DRAFT WHERE APPLICABLE MUST REMAIN WITHIN DIMENSIONS	SCALE 2:1 DESIGN UNITS <input type="checkbox"/> mm <input checked="" type="checkbox"/> INCH DRAWN BY & DATE R. STONE 3-25-03 CHECKED BY & DATE APPROVED BY & DATE	THIRD ANGLE PROJECTION TITLE: 63A SERIES BTS, 600V, FAST-TAB SHORT STD. INSULATOR TURRET, NO MTG ENDS MOLEX INCORPORATED	PROJECT NO. E-656 DIMENSIONS: <input checked="" type="checkbox"/> mm <input type="checkbox"/> INCH <input type="checkbox"/> mm ONLY SHT 1 REV - REVISE ON CAD ONLY	
	REV A		CAD FILENAME 63A9XX-C-001	MATERIAL NO. SEE CHART	DRAWING NO. SD-38631-006	
					SHEET NO. 1 OF 1	SIZE B
	THIS DRAWING CONTAINS INFORMATION THAT IS PROPRIETARY TO MOLEX INCORPORATED AND SHOULD NOT BE USED WITHOUT WRITTEN PERMISSION.					