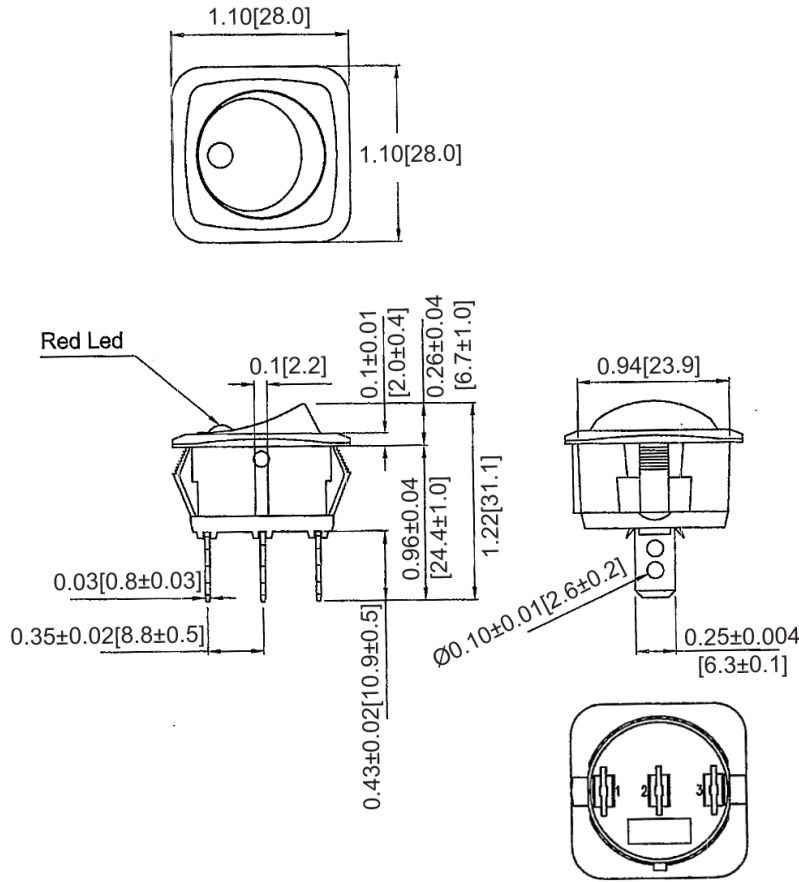
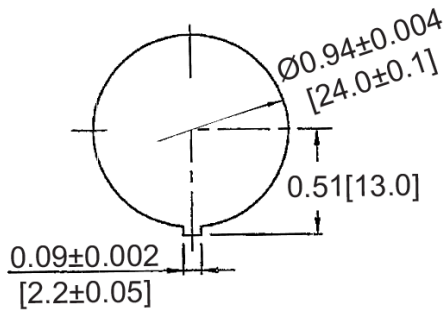


Mechanical Dimensions: Inches [mm]

Tolerances ± 0.012 [0.3] Unless Otherwise Specified



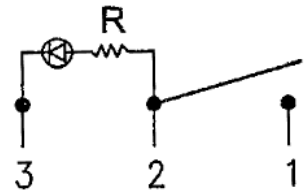
Mounting Hole



Thickness: 0.04~0.16 [1.0~4.0]

Circuit Diagram

3P SPST OFF-ON (LED-D)



Electrical Specifications

| | |
|-----------------------|----------------------|
| Rating | 25A 12V DC |
| Contact Resistance | 50m ohm Max |
| Insulation Resistance | DC 500V 100M ohm Min |
| Dielectric Strength | AC 1500V 1 minute |
| Operation Temperature | -20°C~65°C |

Material Specifications

| | |
|----------|-----------------------|
| Frame | Black, Nylon 66 |
| Actuator | Black, Nylon#66+33%GF |
| LED | Green (Dependent) |

| Rev | Date of issue | Revision Notes | Designed | Approved |
|-----|---------------|-----------------|----------|----------|
| B | 07-13-2021 | Initial Drawing | RC | OF |