

TERMSERIES TOP 48VUC 48VDC0.1A

Weidmüller Interface GmbH & Co. KG
 Klingenbergstraße 26
 D-32758 Detmold
 Germany
 Fon: +49 5231 14-0
 Fax: +49 5231 14-292083
 www.weidmueller.com

Product image



Similar to illustration

TERMSERIES complete solid-state relay modules 3 to 48 V DC 0.1 A output versions consisting of a solid-state relay and a base with AC/DC/UC input; available in different designs:

- With screw and tension-clamp connection
- In 6.4 mm width
- Optionally with multiple-voltage input: 24 to 230 V UC
- With various protective circuits in the input (free-wheel diode, RC element)
- Illuminated ejection lever

General ordering data

Type	TOP 48VUC 48VDC0.1A
Order No.	2618710000
Version	TERMSERIES, solid-state relays, 1 NO contact (Bipolar transistor), Rated control voltage: 48 V UC $\pm 10\%$, Rated switching voltage: 0...48 V DC, Continuous current: 100 mA, PUSH IN
GTIN (EAN)	4050118670127
Qty.	10 pc(s).

Creation date May 5, 2020 10:37:50 PM CEST

TERMSERIES
TOP 48VUC 48VDC0.1A

Weidmüller Interface GmbH & Co. KG
 Klingenbergstraße 26
 D-32758 Detmold
 Germany
 Fon: +49 5231 14-0
 Fax: +49 5231 14-292083
 www.weidmueller.com

Technical data
Dimensions and weights

Width	6.4 mm	Width (inches)	0.252 inch
Height	89.4 mm	Height (inches)	3.52 inch
Depth	87.8 mm	Depth (inches)	3.457 inch
Net weight	29 g		

Temperatures

Humidity	5-95% relative humidity, T _u = 40°C, without condensation	Operating temperature, max.	60 °C
Operating temperature, min.	-20 °C	Storage temperature, max.	70 °C
Storage temperature, min.	-40 °C	Operating temperature	-20 °C...60 °C
Storage temperature	-40 °C...70 °C		

Probability of failure

MTTF	1,670 Years
------	-------------

Rated data UL

Ambient temperature (operational), max. 60 °C		Connection cross-section AWG, min.	AWG 26
Connection cross-section AWG, max.	AWG 14	Type of conductor	rigid copper conductor, flexible copper conductor
Pollution severity level	2		

Control side

Rated control voltage	48 V UC ± 10 %	Nominal control current	8 mA AC (±20 %), 7 mA DC (±20 %)
Power rating	290 mVA / 192 mW	Cut-in / dropout voltage	36 V / 19 V AC 36 V / 19 V DC
Status indicator	Green LED	Protective circuit	Rectifier
Coil voltage of the replacement relay deviating from the rated control voltage	Yes	Coil voltage of the replacement relay	24 V DC

Load side

Rated switching voltage	0...48 V DC	Continuous current	100 mA
Switch-on delay	< 55 µs	Switch-off delay	< 4 ms
Voltage drop at max. load	≤ 1 V	Leakage current	< 10 µA
Min. switching current	500 µA	Short-circuit-proof	No
Protective circuit, load side	Free-wheeling diode	max. switching frequency (AC control voltage)	3 Hz
max. switching frequency (DC control voltage)	100 Hz		

Contact data

Contact type	1 NO contact (Bipolar transistor)
--------------	--------------------------------------

General data

Rail	TS 35	Colour	black
UL 94 flammability rating	V-0		

Creation date May 5, 2020 10:37:50 PM CEST

TERMSERIES
TOP 48VUC 48VDC0.1A

Weidmüller Interface GmbH & Co. KG
 Klingenbergstraße 26
 D-32758 Detmold
 Germany
 Fon: +49 5231 14-0
 Fax: +49 5231 14-292083
 www.weidmueller.com

Technical data**Insulation coordination**

Rated voltage	300 V	Pollution severity	2
Surge voltage category	III	Clearance and creepage distances for control side - load side	≥ 5.5 mm
Dielectric strength for control side - load side	2.5 kV _{eff}	Dielectric strength to mounting rail	4 kV _{eff} / 1 Min.
Impulse withstand voltage	6 kV (1.2/50 μs)	Protection degree	IP20

Further details of approvals / standards

Standards	DIN EN 50178	Certificate No. (DNVGL)	TAA00001E5
Certificate no. (cULus)	E141197		

Connection data

Wire connection method	PUSH IN	Stripping length, rated connection	8 mm
Clamping range, rated connection	1.5 mm ²	Clamping range, min.	0.14 mm ²
Clamping range, max.	2.5 mm ²	Wire connection cross section AWG, min.	AWG 26
Wire connection cross section AWG, max.	AWG 14	Wire cross-section, solid, min.	0.14 mm ²
Wire cross-section, solid, max.	2.5 mm ²	Wire connection cross-section, finely stranded, min.	0.14 mm ²
Wire connection cross section, finely stranded, max.	2.5 mm ²	Wire cross-section, finely stranded, min. (AWG)	AWG 26
Wire cross-section, finely stranded, max. (AWG)	AWG 14	Wire connection cross-section, finely stranded with wire-end ferrules DIN 46228/4, min.	0.15 mm ²
Wire connection cross-section, finely stranded with wire-end ferrules DIN 46228/4, max.	1.5 mm ²	Conductor cross-section, flexible, AEH (DIN 46228-1), min.	0.15 mm ²
Conductor cross-section, flexible, AEH (DIN 46228-1), max.	1.5 mm ²	Twin wire-end ferrules, min.	0.5 mm ²
Twin wire-end ferrules, max.	1 mm ²	Blade size	0.4 x 2.0 mm

Classifications

ETIM 6.0	EC001504	ETIM 7.0	EC001504
eClass 9.0	27-37-16-04	eClass 9.1	27-37-16-04
eClass 10.0	27-37-16-04		

Approvals

Approvals

**Downloads**

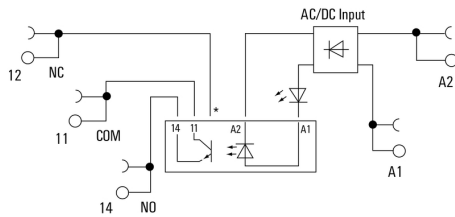
Approval/Certificate/Document of Conformity	EU Konformitätserklärung / EU Declaration of Conformity
Engineering Data	STEP
User Documentation	Beipackzettel / Package Insert – multilingual

Creation date May 5, 2020 10:37:50 PM CEST

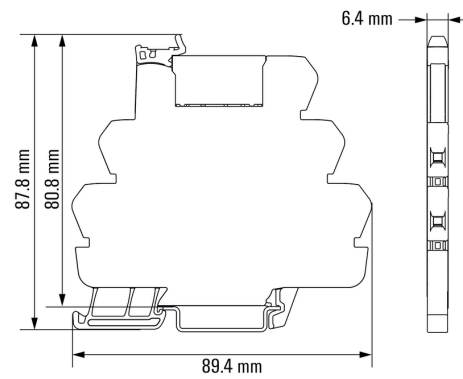
Catalogue status 01.05.2020 / We reserve the right to make technical changes.

**TERMSERIES
TOP 48VUC 48VDC0.1A**

Weidmüller Interface GmbH & Co. KG
Klingenbergstraße 26
D-32758 Detmold
Germany
Fon: +49 5231 14-0
Fax: +49 5231 14-292083
www.weidmueller.com

Drawings**Wiring diagram**

*Contact is assembled in socket but not used with solid-state relays

Dimensional drawing

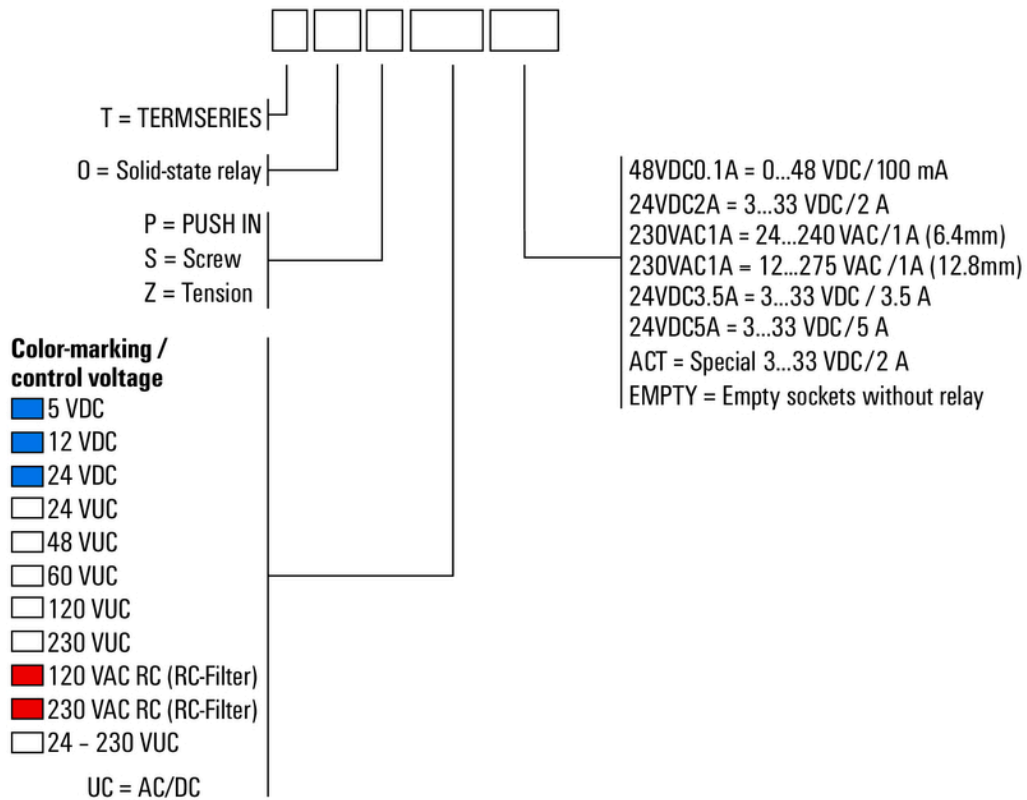
**TERMSERIES
TOP 48VUC 48VDC0.1A**

Weidmüller Interface GmbH & Co. KG
 Klingenbergstraße 26
 D-32758 Detmold
 Germany
 Fon: +49 5231 14-0
 Fax: +49 5231 14-292083
 www.weidmueller.com

Drawings

Miscellaneous

Type code TERMSERIES solid-state relay versions



Type codes