

SUMMARY

Wires

| | |
|------------------|-----------------------------------|
| Coax | 1 |
| Series | 00 |
| Termination type | Male solder |
| IP rating | 50 |
| AWG wire size | 0.00 - 0.00 |
| Cable Ø | 2.80 - 3.10 mm |
| Status | Obsolete |
| Alternative part | PCA.00.250.CTAC31 |



Image is for illustrative purpose only

Download

[Request a quote](#)

[Catalog](#)

TECHNICAL DETAILS

Mechanics

| | |
|-------------------|---|
| Shell Style/Model | PCA*: Free receptacle with cable collet |
| Keying | Circular, male |
| Housing Material | Brass (chrome plated [SAE AMS 2460]) shell and collet nut, nickel plated [SAE AMS QQ N 290] brass latch sleeve and mid pieces |
| Weight | 3.51 g |

Performance

| | |
|---------------|--------------------------|
| Configuration | 00.250 : 1 Coax (50 Ohm) |
| Insulator | T: PTFE |
| Rated Current | 4 Amps |

Specifications

Contact Type: Coaxial 50 Ohm (Solder)
Contact Dia.: 0.7 mm (0.028in)
Bucket Dia.: 0.6 mm (0.024in)
Test voltage: 2.1 kV (rms)
R (max): 6.1 mOhm
Vtest: 2100 V (AC), 3000 V (DC)
□
Impedance: 50 Ohm

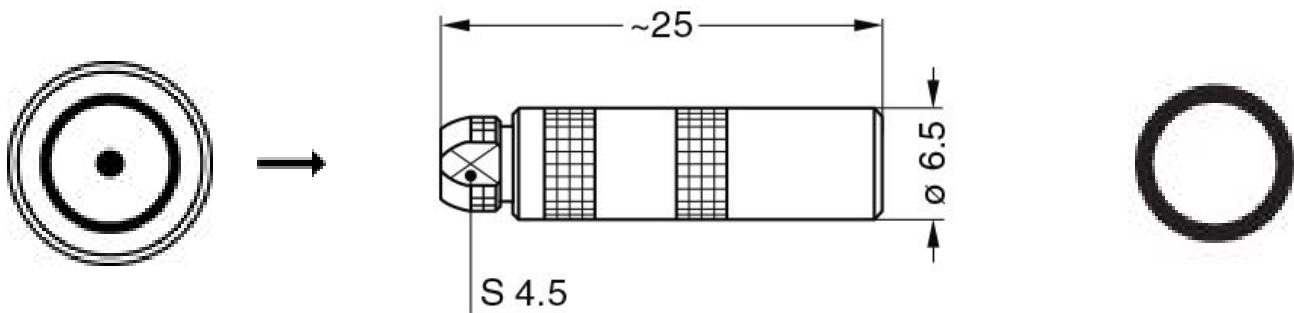
LEMO products and services are provided "as is". LEMO makes no warranties or representations with regard to LEMO product & services or use of them, express, implied or statutory, including for accuracy, completeness, or security. The user is fully responsible for his products and applications using LEMO components.

VSWR: $1.09 + 0.11 * f/\text{GHz}$
Cable type: RG 316 /U

Others

Endurance (Shell): 5000 mating cycles
F ret (min): 100 N
Salt Spray Corrosion: >1000 hr

DRAWINGS



Dimensions

| | A | L | S2 |
|-----|------|------|------|
| mm. | 6.5 | 25 | 4.5 |
| in. | 0,26 | 0,98 | 0,18 |



RECOMMENDED BY LEMO

Tools

Spanner wrench: [DCD.00.ZZZ.PA045](#)

Cables

LEMO products and services are provided "as is". LEMO makes no warranties or representations with regard to LEMO product & services or use of them, express, implied or statutory, including for accuracy, completeness, or security. The user is fully responsible for his products and applications using LEMO components.

| | | | |
|--------------------|------|-------|--|
| 17420 | PVC | Black |  |
| 31600 | PTFE | Brown | |
| CCX.50.RG1.74AU28N | PVC | Black | |
| CCX.50.RG1.74AU28N | PVC | Black |  |
| CCX.50.RG3.16U28M | PTFE | Brown | |

LEMO products and services are provided "as is". LEMO makes no warranties or representations with regard to LEMO product & services or use of them, express, implied or statutory, including for accuracy, completeness, or security. The user is fully responsible for his products and applications using LEMO components.