

MATERIAL:

BODY BRASS
PLATED NICKEL

CENTER CONTACT PHOSPOR BRONZE
PLATED GOLD

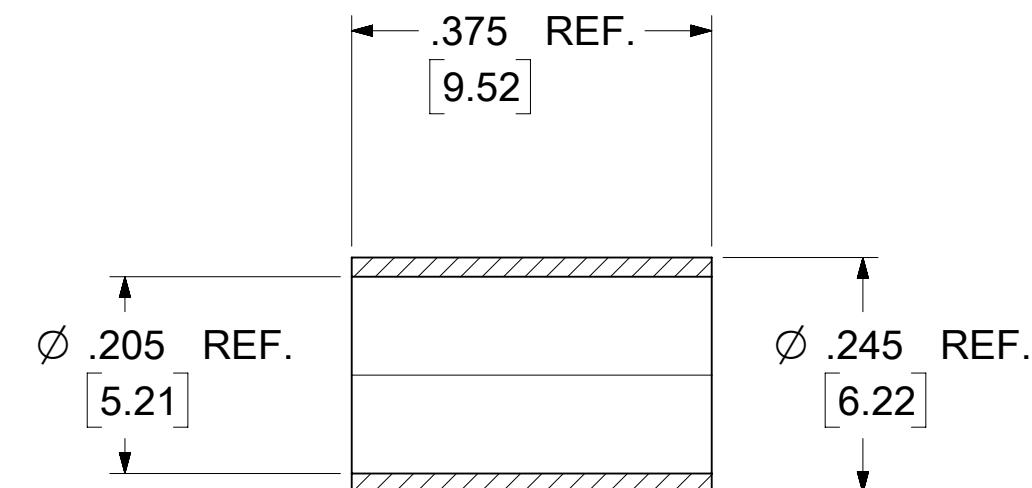
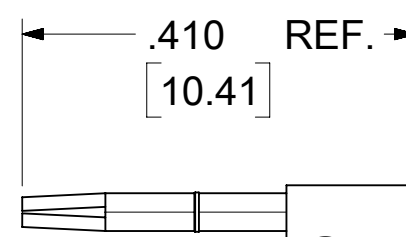
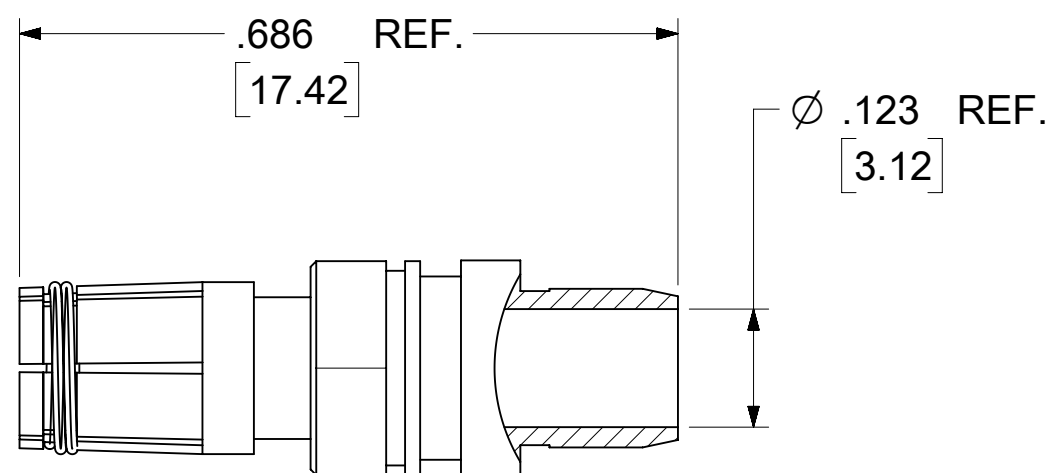
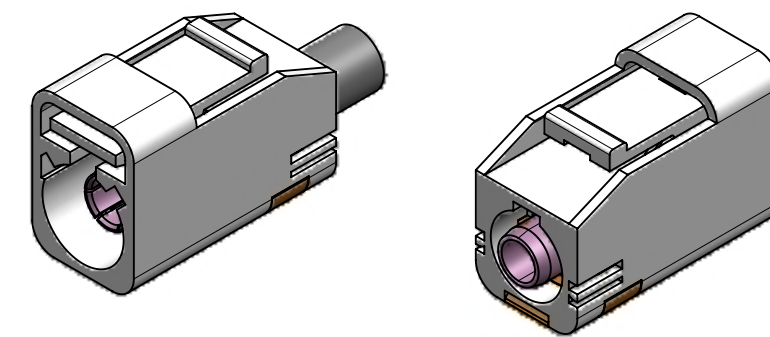
CEIMP TUBE BRASS
PLATED NICKEL

OUTER CASTING NYLON 66 OR EQUIVALENT
KEYING SEE TABLE
COLOR SEE TABLE

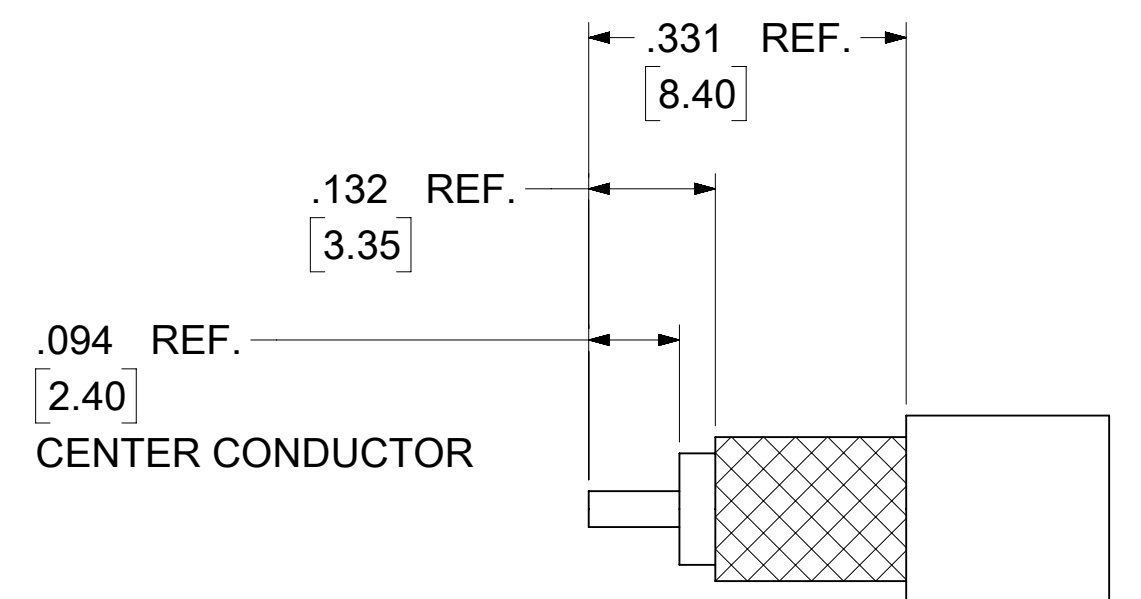
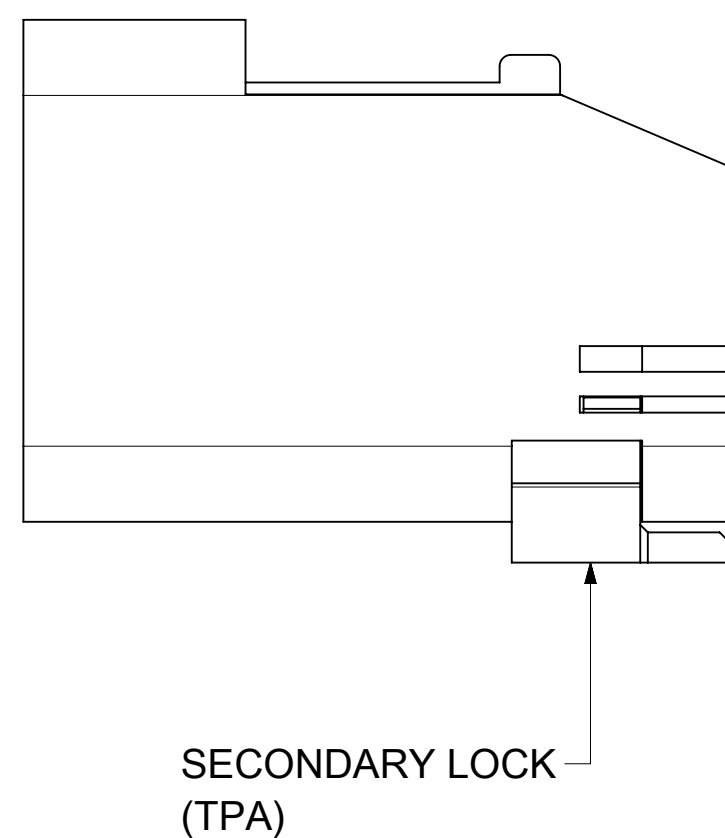
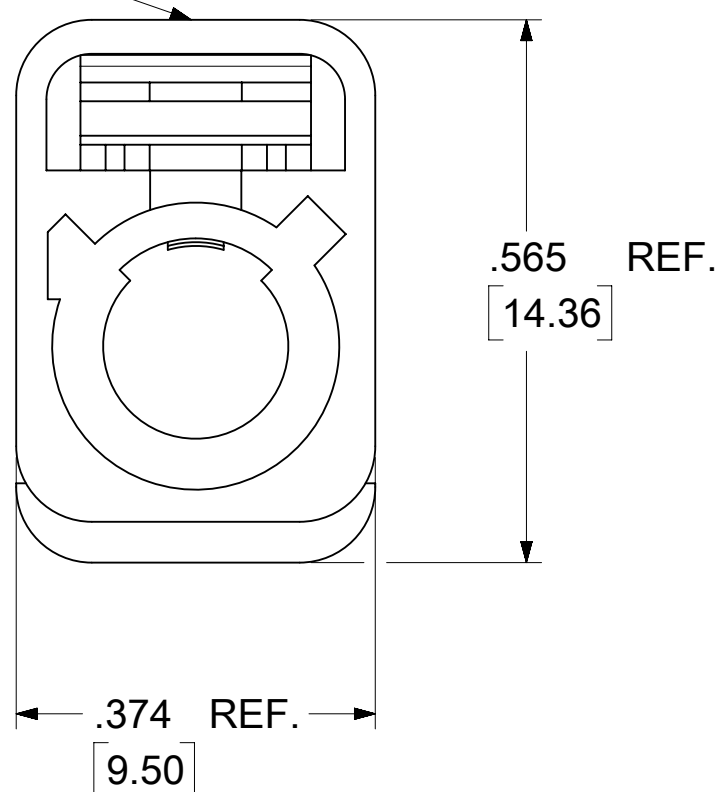
INSULATOR PP

NOTES:

1. 250 PCS (89618-37XX) PER ZIPLOCK BAG.
NOTICE: THE BAG MUST BE COMPLETELY SEALED.
2. STROAGE -10°C TO 40°C HUMIDITY <75%



FAKRA
CONNECTOR
KEYING
CODE B SHOWN



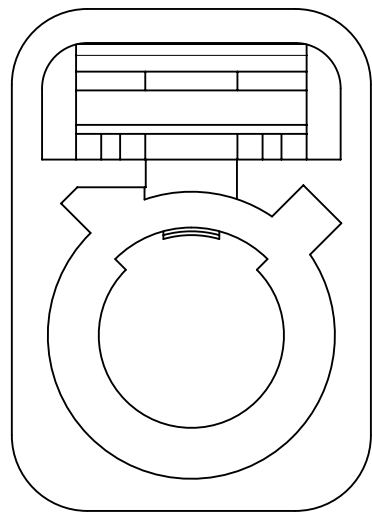
RECOMMENDED STRIPPING DIMENSION

PART # SEE SHEET 2

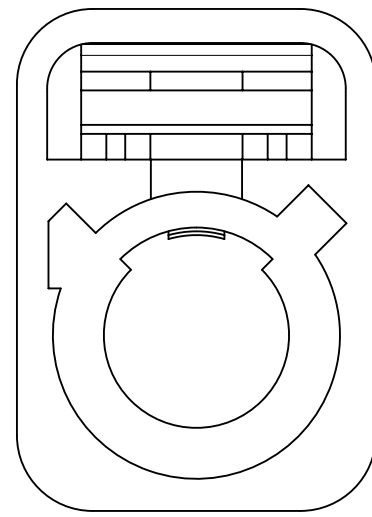
AS-73597-060	ASSEMBLY INSTRUCTION
PS-89675-331	PRODUCT SPECIFICATION
DIN 72594-1	INTERFACE SPECIFICATION
SPECIFICATION	DESCRIPTION

A1	2020/03/20	ADDED AS PER EWR # 13659-A
A	2016/01/12	RTM PER RF16-E001
REV.	DATE	DESCRIPTION

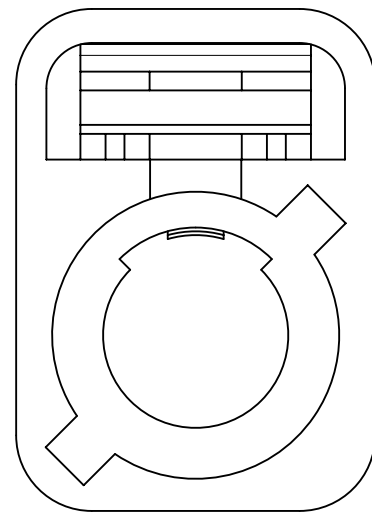
FUNCTIONAL SYMBOLS $\frac{F}{A} = 0$ $\frac{E}{C} = 0$ $\frac{E}{P} = 0$	THIS DRAWING CONTAINS INFORMATION THAT IS PROPRIETARY TO MOLEX ELECTRONIC TECHNOLOGIES, LLC AND SHOULD NOT BE USED WITHOUT WRITTEN PERMISSION		CURRENT REV DESC:		
	DIMENSION UNITS	SCALE	EC NO: 634402		
	HYBRID NTS		DRWN: ELIN 2020/03/13		
	GENERAL TOLERANCES (UNLESS SPECIFIED)		CHK'D: YCHENG 2020/03/25		
ANGULAR TOL ± 2.0°		APPR: YCHENG 2020/03/25		PRODUCT CUSTOMER DRAWING	
DIVISIONAL SYMBOLS		INITIAL REVISION:		DOCUMENT NUMBER	DOC TYPE DOC PART REVISION
4 PLACES ±		DRWN: ELIN 2016/01/12		SD-73403-723	PSD 001 A1
3 PLACES ±		APPR: YCHENG 2016/02/04		MATERIAL NUMBER	CUSTOMER
2 PLACES ±		DRAFT WHERE APPLICABLE MUST REMAIN WITHIN DIMENSIONS		SEE TABLE	GENERAL MARKET
1 PLACE ±		THIRD ANGLE PROJECTION	DRAWING	SHEET NUMBER	
0 PLACES ±			C-SIZE	73403	1 OF 2



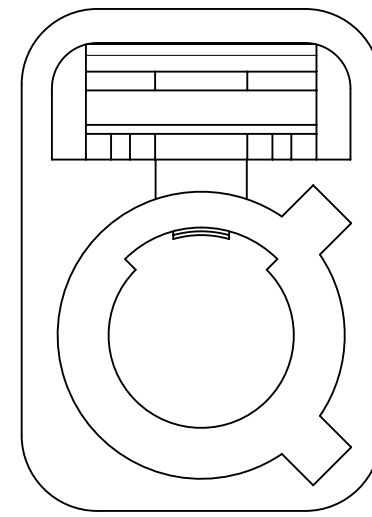
CODE A



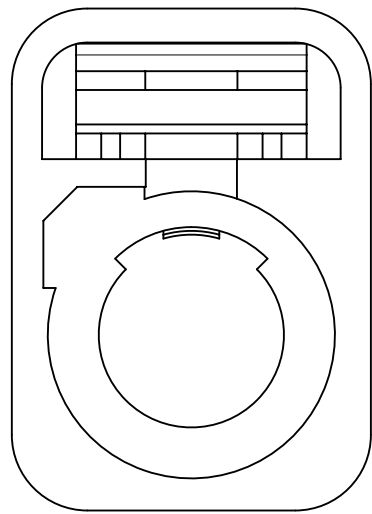
CODE B



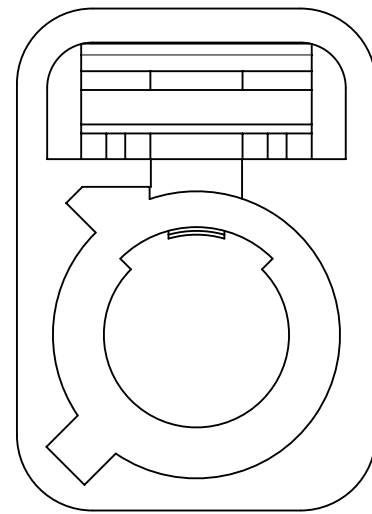
CODE C



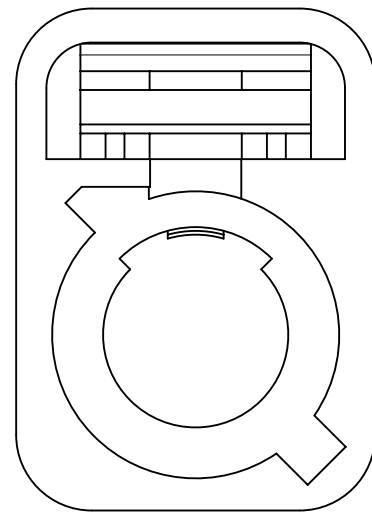
CODE D



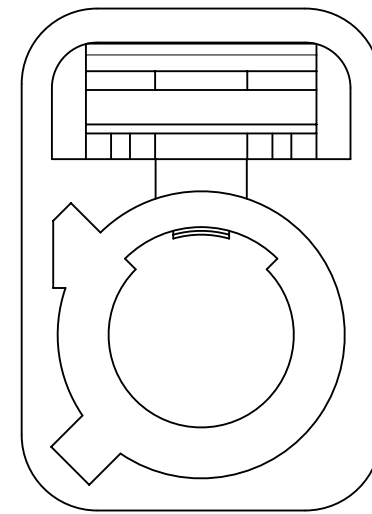
CODE E



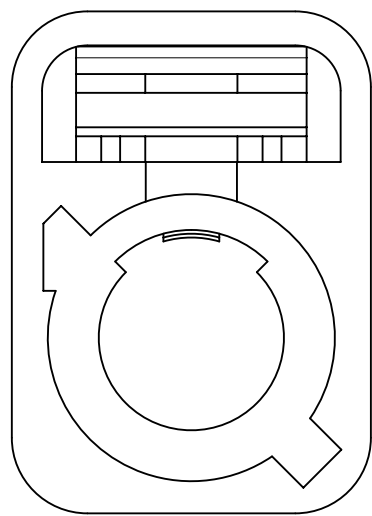
CODE F



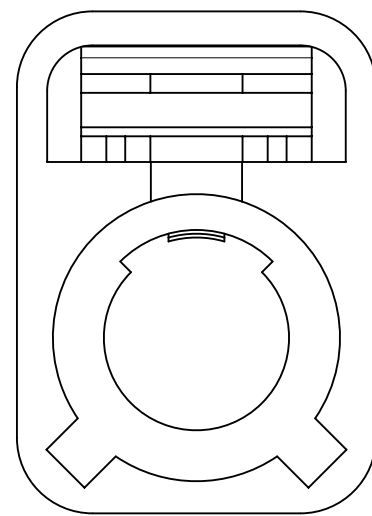
CODE G



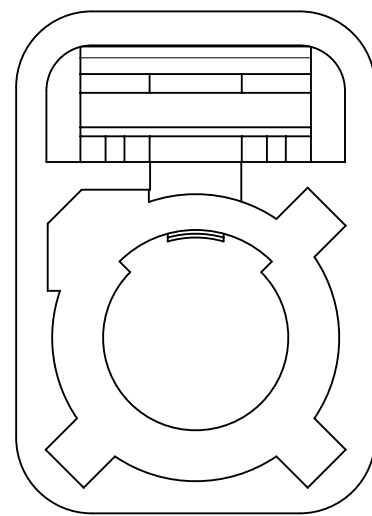
CODE H



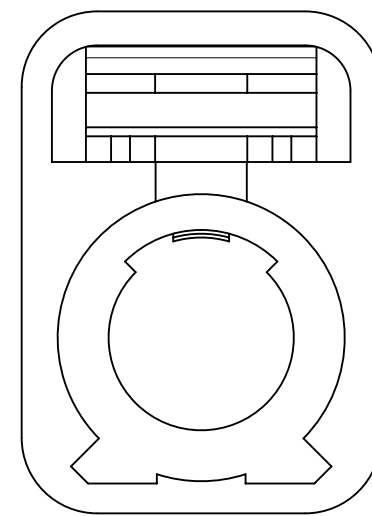
CODE I



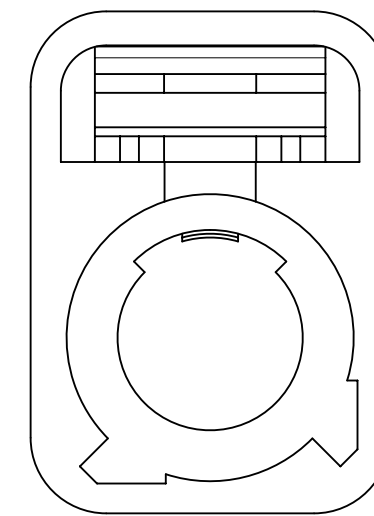
CODE K



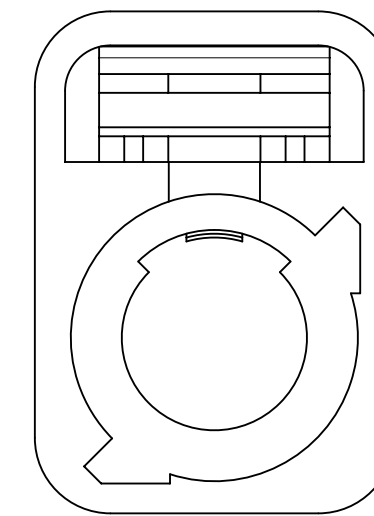
CODE Z



CODE L



CODE M



CODE N

N	PASTEL GREEN	73403-7243
M	PASTEL ORANGE	73403-7242
L	CARMINE RED	73403-7241
Z	WATER BLUE	73403-7240
K	CURRY YELLOW	73403-7239
I	BEIGN	73403-7238
H	VIOLET	73403-7237
G	GRAY	73403-7236
F	BROWN	73403-7235
E	GREEN	73403-7234
D	BORDEAUXVIOLET	73403-7233
C	BLUE	73403-7232
B	SINGLE WHITE	73403-7231
A	BLACK	73403-7230
KEYING CODE	COLOR	PART NO.

FUNCTIONAL SYMBOLS	THIS DRAWING CONTAINS INFORMATION THAT IS PROPRIETARY TO MOLEX ELECTRONIC TECHNOLOGIES, LLC AND SHOULD NOT BE USED WITHOUT WRITTEN PERMISSION		
	DIMENSION UNITS	SCALE	CURRENT REV DESC:
$\frac{E}{A} = 0$	HYBRID	NTS	EC NO: 634402 DRWN: ELIN 2020/03/13 CHK'D: YCHENG 2020/03/25 APPR: YCHENG 2020/03/25
$\frac{E}{C} = 0$	GENERAL TOLERANCES (UNLESS SPECIFIED)		
$\frac{E}{P} = 0$	ANGULAR TOL $\pm 2.0^\circ$		
DIVISIONAL SYMBOLS	4 PLACES	\pm	
	3 PLACES	\pm	INITIAL REVISION:
	2 PLACES	\pm	DRWN: ELIN 2016/01/12
	1 PLACE	\pm	APPR: YCHENG 2016/02/04
	0 PLACES	\pm	
DRAFT WHERE APPLICABLE MUST REMAIN WITHIN DIMENSIONS		THIRD ANGLE PROJECTION	DRAWING C-SIZE
			SERIES 73403
DOCUMENT STATUS P1		RELEASE DATE 2020/03/25 03:19:18	DOCUMENT NUMBER SD-73403-723
			DOC TYPE PSD
			DOC PART 001
			REVISION A1
			MATERIAL NUMBER SEE TABLE
			CUSTOMER GENERAL MARKET
			SHEET NUMBER 2 OF 2