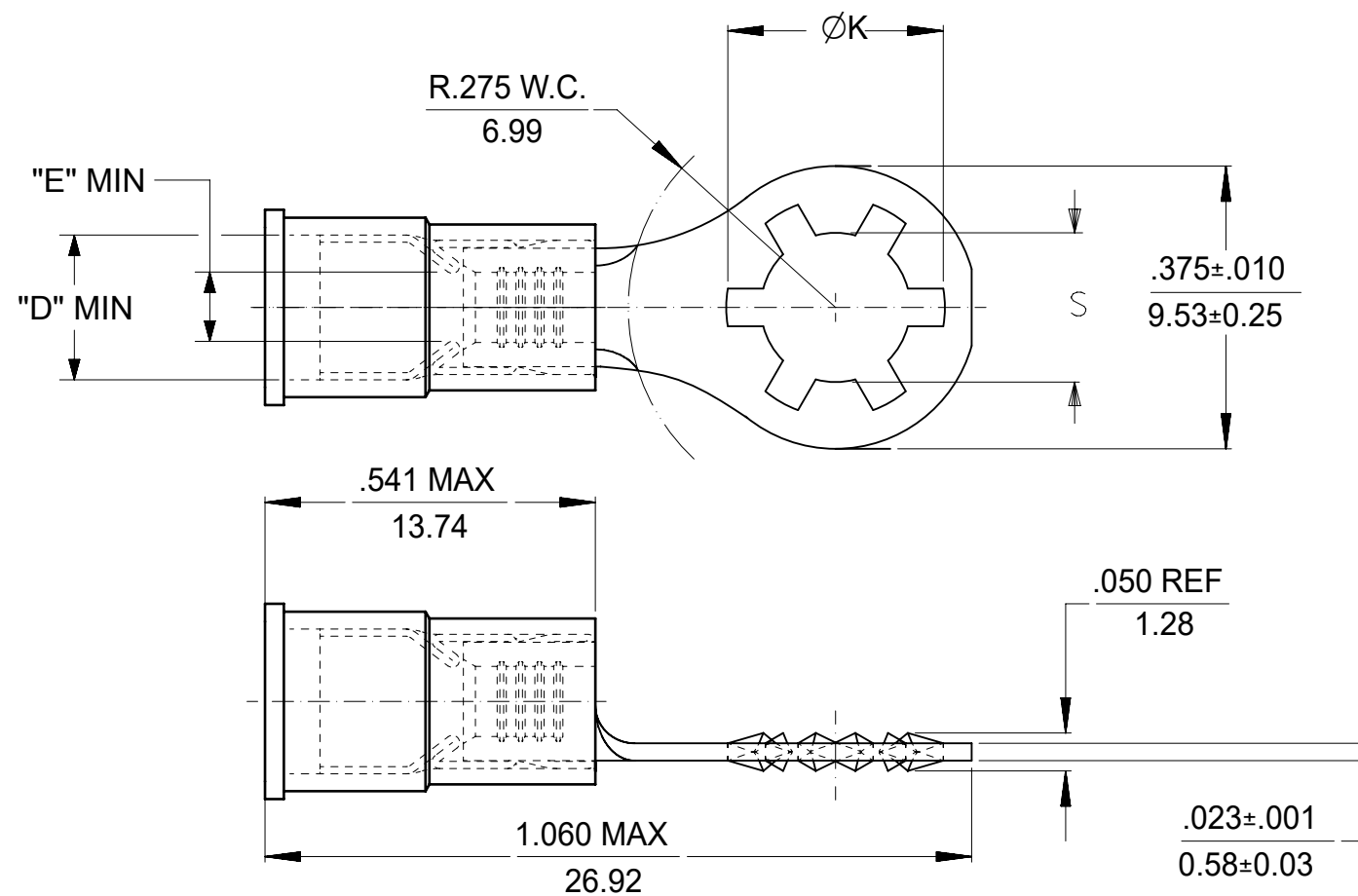


MATERIAL NO.	ENG NO.	HOUSING COLOR WIRE AWG	TERMINAL MAT'L	S ±.007/.178	K REF	"D" MIN	"E" MIN
190760001	SRA-529-06	RED	BRASS	.146/3.71	.236/5.99	.140 (3.56)	.054 (1.37)
190760003	SRA-529-08	22-18 AWG		.173/4.40	.263/6.68		
190760005	SRA-529-10	(0.38-0.96MM ²)		.198/5.03	.288/7.32		
190760013	SRB-529-06	BLUE		.146/3.71	.236/5.99	.170 (4.32)	.084 (2.13)
190760015	SRB-529-08	16-14 AWG		.173/4.40	.263/6.68		
190760017	SRB-529-10	(1.23-1.94MM ²)		.198/5.03	.288/7.32		
190760007	SRA-S-529-06	RED	STEEL	.146/3.71	.236/5.99	.140 (3.56)	.054 (1.37)
190760009	SRA-S-529-08	22-18 AWG		.173/4.40	.263/6.68		
190760011	SRA-S-529-10	(0.38-0.96MM ²)		.198/5.03	.288/7.32		
190760019	SRB-S-529-06	BLUE		.146/3.71	.236/5.99	.170 (4.32)	.084 (2.13)
190760021	SRB-S-529-08	16-14 AWG		.173/4.40	.263/6.68		
190760023	SRB-S-529-10	(1.23-1.94MM ²)		.198/5.03	.288/7.32		



A1

NOTE(S):
 1. FINISH:
 TERMINAL: TIN-PLATED (BRASS OR STEEL)
 FERRULE: TIN-PLATED BRASS
 2. MWID: MAXIMUM WIRE INSULATION DIAMETER.
 3. ASSEMBLY IS RoHS COMPLIANT.

ORIGINAL DRAWING WAS SD-19076-001

THIS DRAWING CONTAINS INFORMATION THAT IS PROPRIETARY TO MOLEX ELECTRONIC TECHNOLOGIES, LLC AND SHOULD NOT BE USED WITHOUT WRITTEN PERMISSION																																																										
FUNCTIONAL SYMBOLS	DIMENSION UNITS	SCALE	CURRENT REV DESC: WAS DWG: SD-19076-001. UPDATE DWG & RMV BOM.																																																							
	INCH/MM	4:1	<table border="0"> <tr> <td colspan="3">GENERAL TOLERANCES (UNLESS SPECIFIED)</td> <td colspan="4">EC NO: 672118</td> </tr> <tr> <td>4 PLACES</td> <td>±</td> <td>±</td> <td>DRWN: DMYRICK</td> <td>2021/07/30</td> <td colspan="2" rowspan="3"> <table border="1"> <tr> <td colspan="3">PRODUCT CUSTOMER DRAWING</td> </tr> <tr> <td>DOCUMENT NUMBER</td> <td>DOC TYPE</td> <td>DOC PART</td> <td>REVISION</td> </tr> <tr> <td>190760001</td> <td>PSD</td> <td>000</td> <td>A1</td> </tr> </table> </td> </tr> <tr> <td>3 PLACES</td> <td>±</td> <td>±</td> <td>CHK'D: JMACNEIL</td> <td>2021/08/02</td> </tr> <tr> <td>2 PLACES</td> <td>±</td> <td>±</td> <td>APPR: JMACNEIL</td> <td>2021/08/02</td> </tr> <tr> <td>1 PLACE</td> <td>±</td> <td>±</td> <td colspan="2">INITIAL REVISION:</td> </tr> <tr> <td>0 PLACES</td> <td>±</td> <td>±</td> <td colspan="2">DRWN:</td> </tr> <tr> <td colspan="2">ANGULAR TOL</td> <td>± °</td> <td colspan="2">APPR:</td> </tr> </table>							GENERAL TOLERANCES (UNLESS SPECIFIED)			EC NO: 672118				4 PLACES	±	±	DRWN: DMYRICK	2021/07/30	<table border="1"> <tr> <td colspan="3">PRODUCT CUSTOMER DRAWING</td> </tr> <tr> <td>DOCUMENT NUMBER</td> <td>DOC TYPE</td> <td>DOC PART</td> <td>REVISION</td> </tr> <tr> <td>190760001</td> <td>PSD</td> <td>000</td> <td>A1</td> </tr> </table>		PRODUCT CUSTOMER DRAWING			DOCUMENT NUMBER	DOC TYPE	DOC PART	REVISION	190760001	PSD	000	A1	3 PLACES	±	±	CHK'D: JMACNEIL	2021/08/02	2 PLACES	±	±	APPR: JMACNEIL	2021/08/02	1 PLACE	±	±	INITIAL REVISION:		0 PLACES	±	±	DRWN:		ANGULAR TOL		± °	APPR:
GENERAL TOLERANCES (UNLESS SPECIFIED)										EC NO: 672118																																																
4 PLACES	±	±								DRWN: DMYRICK	2021/07/30	<table border="1"> <tr> <td colspan="3">PRODUCT CUSTOMER DRAWING</td> </tr> <tr> <td>DOCUMENT NUMBER</td> <td>DOC TYPE</td> <td>DOC PART</td> <td>REVISION</td> </tr> <tr> <td>190760001</td> <td>PSD</td> <td>000</td> <td>A1</td> </tr> </table>		PRODUCT CUSTOMER DRAWING			DOCUMENT NUMBER	DOC TYPE	DOC PART	REVISION	190760001			PSD	000	A1																																
PRODUCT CUSTOMER DRAWING																																																										
DOCUMENT NUMBER	DOC TYPE	DOC PART								REVISION																																																
190760001	PSD	000	A1																																																							
3 PLACES	±	±	CHK'D: JMACNEIL	2021/08/02																																																						
2 PLACES	±	±	APPR: JMACNEIL	2021/08/02																																																						
1 PLACE	±	±	INITIAL REVISION:																																																							
0 PLACES	±	±	DRWN:																																																							
ANGULAR TOL		± °	APPR:																																																							
DIVISIONAL SYMBOLS	DRAFT WHERE APPLICABLE MUST REMAIN WITHIN DIMENSIONS		THIRD ANGLE PROJECTION	DRAWING	SERIES	MATERIAL NUMBER	CUSTOMER	SHEET NUMBER																																																		
				B-SIZE	19076	SEE CHART		1 OF 1																																																		