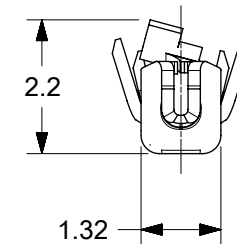
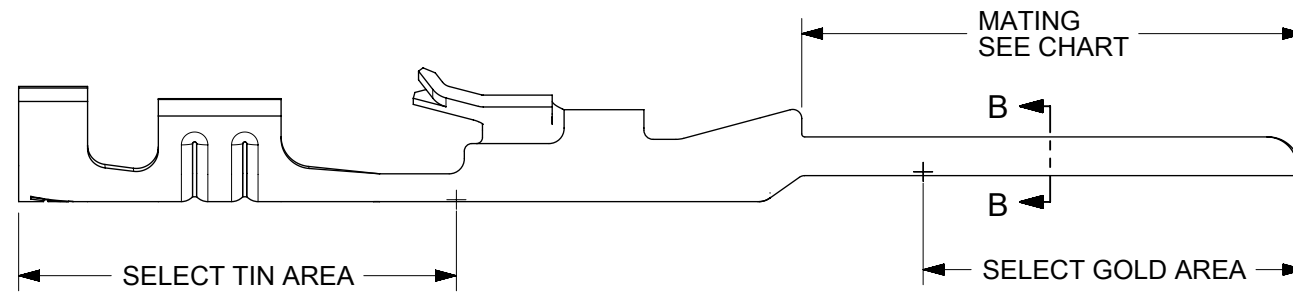
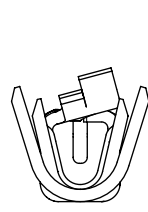


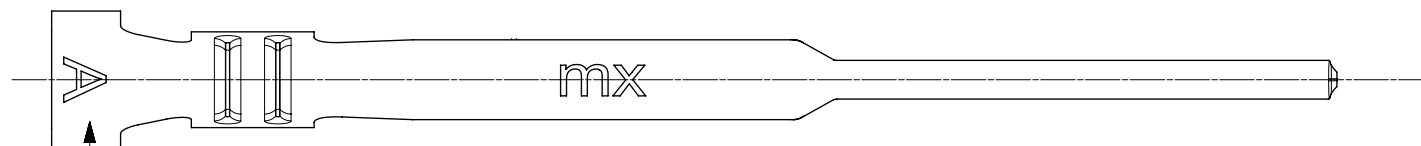
NOTES:

1. MATERIAL: 0.20 THICK PHOS BRONZE
2. FINISH:
 OVERALL TIN: 3.8 MICROMETERS MIN OVER NICKEL
 207 = SELECT GOLD IN AREA SHOWN: 0.38 MICROMETERS MIN
 SELECT TIN IN AREA SHOWN: 2.0 MICROMETERS MIN BOTH OVER NICKEL
 206 = SELECT GOLD IN AREA SHOWN: 0.75 MICROMETERS MIN
 SELECT TIN IN AREA SHOWN: 2.0 MICROMETERS MIN BOTH OVER NICKEL
3. PRODUCT SPECIFICATION: PS-70021
4. TERMINALS FOR USE WITH HOUSING SERIES: 70066 AND 70107

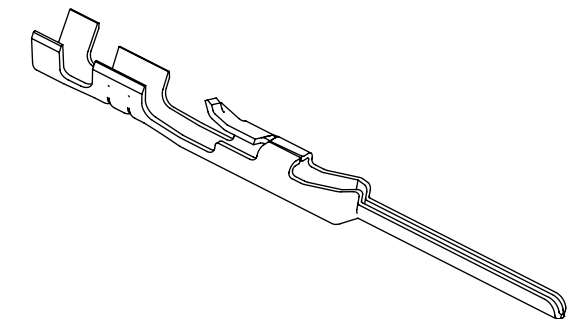


PLATING NOT REQUIRED ON INSIDE AREA

SECTION B-B
BACKGROUND OMITTED



WIRE SIZE IDENTIFICATION LETTER IS STAMPED INTO PART IN THIS AREA:
 A = 24-30 AWG WIRE WITH 1.52 MAX INSULATION DIA
 B = 32-36 AWG WIRE WITH 0.64 MAX INSULATION DIA
 C = 22-24 AWG WIRE WITH 1.63 MAX INSULATION DIA
 SEE CHART



SYMBOLS	THIS DRAWING CONTAINS INFORMATION THAT IS PROPRIETARY TO MOLEX ELECTRONIC TECHNOLOGIES, LLC AND SHOULD NOT BE USED WITHOUT WRITTEN PERMISSION												
	DIMENSION UNITS		SCALE		CURRENT REV DESC: ADD PK SPEC					molex			
	mm		5:1										
	GENERAL TOLERANCES (UNLESS SPECIFIED)		EC NO: 615128					SL MALE CRIMP TERMINAL					
	ANGULAR TOL ± °		DRWN: GJEEVANSURES 2018/12/05										
	4 PLACES ±		CHK'D: SCS02 2019/04/05										
	3 PLACES ±		APPR: ISHWARG 2019/04/05										
	2 PLACES ± 0.25		INITIAL REVISION:					PRODUCT CUSTOMER DRAWING					
	1 PLACE ± 0.35		DRWN: KSAMIEC 2017/09/01					DOCUMENT NUMBER					
	0 PLACES ± 0.0		APPR: FSMITH 2017/09/12					700210000-SD					
DRAFT WHERE APPLICABLE MUST REMAIN WITHIN DIMENSIONS		THIRD ANGLE PROJECTION		DRAWING		SERIES		MATERIAL NUMBER		CUSTOMER		REVISION	
		B-SIZE		70021						PSD 000		A5	
												SHEET NUMBER	
												1 OF 2	

TERMINAL STAMPED WITH LETTER "A" FOR USE WITH 24-30 AWG WIRE

MATERIAL NO	ENGINEERING NO	PACKING	PLATING	LENGTH	MATING	STAMPED LETTER	WIRE SIZE	MAX INS. DIA
16020105	70021-0004	REEL	OVERALL TIN	21.39	8.43	A	24-30 AWG	1.52
16020108	70021-0204	LOOSE						
16020077	70021-0006	REEL	207 = 0.38 GOLD					
16020109	70021-0206	LOOSE						
16020078	70021-0008	REEL	206 = 0.75 GOLD					
16020110	70021-0208	LOOSE						

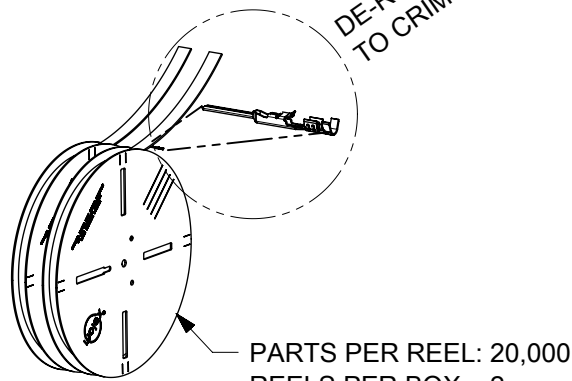
TERMINAL STAMPED WITH LETTER "B" FOR USE WITH 32-36 AWG WIRE

MATERIAL NO	ENGINEERING NO	PACKING	PLATING	LENGTH	MATING	STAMPED LETTER	WIRE SIZE	MAX INS. DIA
16020106	70021-0013	REEL	OVERALL TIN	21.39	8.43	B	32-36 AWG	0.64
16020111	70021-0213	LOOSE						
16020079	70021-0015	REEL	207 = 0.38 GOLD					
16020112	70021-0215	LOOSE						
16020080	70021-0017	REEL	206 = 0.75 GOLD					
16020113	70021-0217	LOOSE						

TERMINAL STAMPED WITH LETTER "C" FOR USE WITH 22-24 AWG WIRE

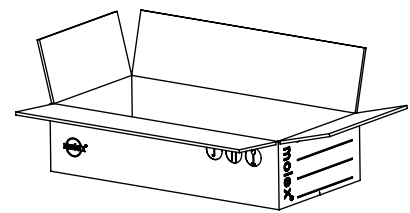
MATERIAL NO	ENGINEERING NO	PACKING	PLATING	LENGTH	MATING	STAMPED LETTER	WIRE SIZE	MAX INS. DIA
16020107	70021-0021	REEL	OVERALL TIN	21.39	8.43	C	22-24 AWG	1.63
16020114	70021-0221	LOOSE						
16020081	70021-0023	REEL	207 = 0.38 GOLD					
16020115	70021-0223	LOOSE						
16020116	70021-0025	REEL	206 = 0.75 GOLD					
16020117	70021-0225	LOOSE						
700210117	70021-0117							
700210081	NA	NA	207 = 0.38 GOLD	19.61	6.65			
700211021	NA	NA	OVERALL TIN					
700211023	NA	REEL	206 = 0.75 GOLD					

REELED PART PACKAGING



PARTS PER REEL: 20,000
REELS PER BOX: 2
PARTS PER BOX: 40,000

PARTS PER BAG: 6,000
BAGS PER BOX: 2
PARTS PER BOX: 12,000



LOOSE PART PACKAGING

SYMBOLS	THIS DRAWING CONTAINS INFORMATION THAT IS PROPRIETARY TO MOLEX ELECTRONIC TECHNOLOGIES, LLC AND SHOULD NOT BE USED WITHOUT WRITTEN PERMISSION		CURRENT REV DESC: ADD PK SPEC				
	DIMENSION UNITS	SCALE					
	mm	1:10	PRODUCT CUSTOMER DRAWING				
	GENERAL TOLERANCES (UNLESS SPECIFIED)	EC NO: 615128		DOCUMENT NUMBER	DOC TYPE	DOC PART	REVISION
	ANGULAR TOL ± °	DRWN: GJEEVANSURES 2018/12/05		700210000-SD	PSD	000	A5
	4 PLACES ±	CHK'D: SCS02 2019/04/05					
	3 PLACES ±	APPR: ISHWARG 2019/04/05		MATERIAL NUMBER		CUSTOMER	
	2 PLACES ± 0.25	INITIAL REVISION:		SERIES		SHEET NUMBER	
	1 PLACE ± 0.35	DRWN: KSAMIEC 2017/09/01		70021		2 OF 2	
	0 PLACES ± 0.0	APPR: FSMITH 2017/09/12					
DRAFT WHERE APPLICABLE MUST REMAIN WITHIN DIMENSIONS	THIRD ANGLE PROJECTION	DRAWING					
		B-SIZE					