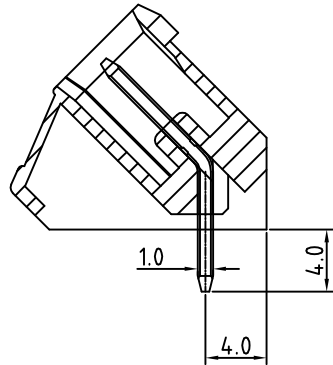
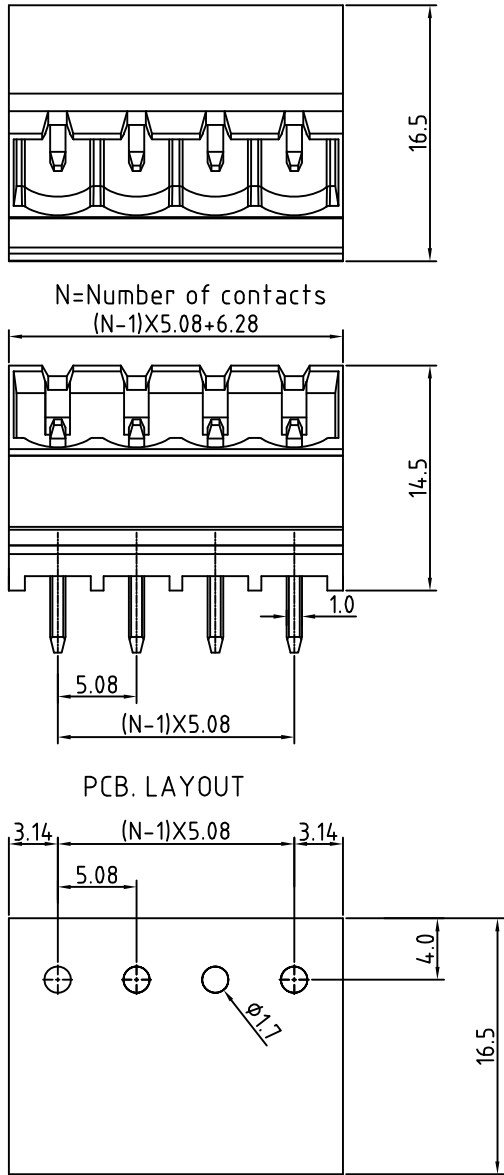


Transfer or duplication of this document as well as the utilisation or communication of its content are not permitted unless express consent is granted. Violations give rise to claims for damages. All rights reserved in case of patent, utility model or design patent registrations.



Technical Data:  
 Electrical  
 Pitch: 5.08mm  
 Voltage rating: 300V  
 Current rating: 16 Amps  
 Withstanding Voltage: 2500VAC(1min)  
 Mechanical:  
 Operating temperature: -40°C to +105°C  
 Soldering temperature  
 Temperature= 250°C±10°C /5 seconds max  
 Safety approval: .  
 RoHS Compliance

Part No.:

**OSTVKXX5150**

No. of Poles	COLOR
02 2 Poles	0: Black
03 3 Poles	2: Red
... ..	3: Orange
24 24 Poles	4: Yellow
	5: Green (Standard)
	6: Blue
	8: Grey

Nonstandard colors  
 Mins could apply

2	Pin	Copper Alloy	Tin plated	1xN
1	Body	PA66-30%GF UL94V		1
ITEM	NAME OF PART	MATERIAL	NOTES	Q"TY
DWG.	DATE	UNITS:	MM	SHEET: 1 OF 1
CHK.	DATE	SCALE:	NONE 3:1 (:)	REV.: A
APP.	DATE	TITLE:	OSTVK SERIES 5.08MM	X. ±0.50
			45° CLOSED	X.XX ±0.30
		PART NO.	OSTVKXX5150	X* ±1°
		DWG NO.	OSTVKXX5150.DWG	

REV		SIGN	DESCRIPTION	CHK.	DATE
-----	--	------	-------------	------	------



ON-SHORE TECHNOLOGY, INC.