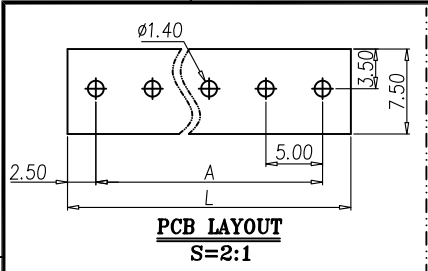


Transfer or duplication of this document as well as the utilisation or communication of its content are not permitted unless express consent is granted. Violations give rise to claims for damages. All rights reserved in case of patent, utility model or design patent registrations.



Technical Data:

Electrical

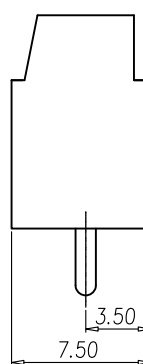
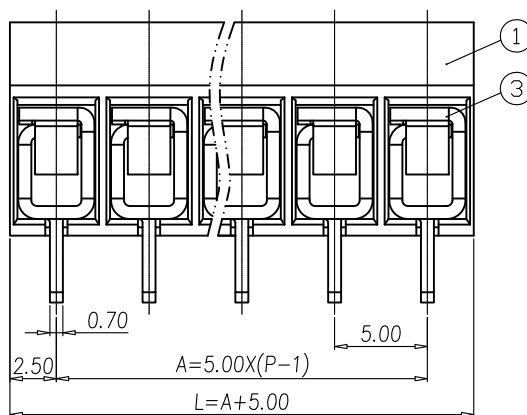
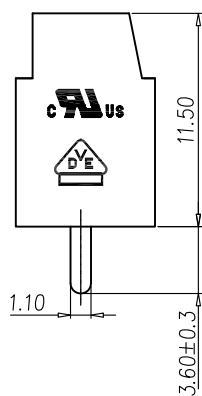
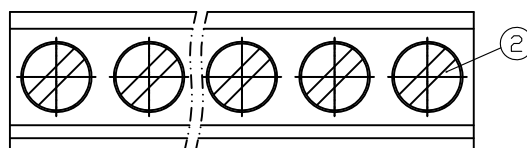
- Pitch: 5.0mm
- Voltage rating: 300V
- Current rating: 16 Amps
- Contact resistance: 5mΩ(max)
- Withstanding Voltage: 2200VAC(1min) Test time=60sec/1pcs
- Wire range: 14-30AWG
- Wire strip length: 6mm

Mechanical:

- Torque: 0.4Nxm/M2.5
- Operating temperature: -40°C to +115°C

Safety approval:

RoHS Compliance



Part No.:

OSTT3XX0451

- No. of Poles**
- 02 2 Poles
 - 03 3 Poles
 -
 - 24 24 Poles

- COLOR**
- 0: Black
 - 2: Red
 - 3: Orange
 - 4: Yellow
 - 5: Green (Standard)
 - 6: Blue
 - 8: Grey

Nonstandard colors
Mins could apply

3	Solder Pin	Copper Alloy	Tin plated	1xN
2	Screw	Steel	M2.5/Zn Plated	1xN
1	Body	PA66 UL94V-0		1
ITEM	NAME OF PART	MATERIAL	NOTES	Q'TY
DWG:	DATE	UNITS:	MM	SHEET: 1 OF 1
CHK:	DATE	SCALE:	NONE 4:1 (:)	REV.: A
APP:	DATE	TITLE:	OSTT3 SERIES 5.0MM	X. ±0.50
		PART NO.	OSTT3XX0451	X.XX ±0.30
		DWG NO.	OSTT3XX0451.DWG	X° ±1°

REV	△	SIGN	DESCRIPTION	CHK.	DATE



ON-SHORE TECHNOLOGY, INC.