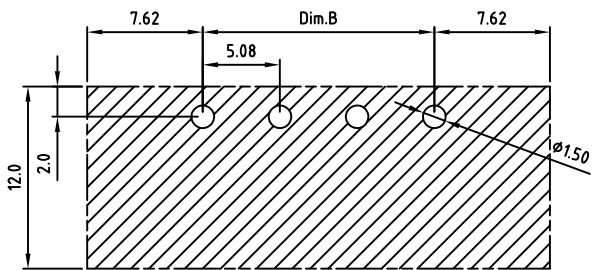
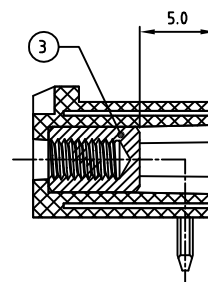
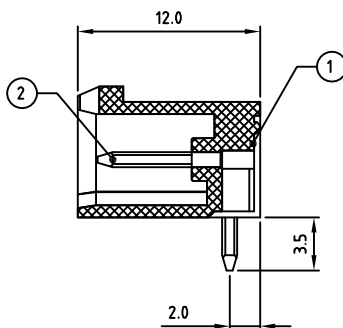
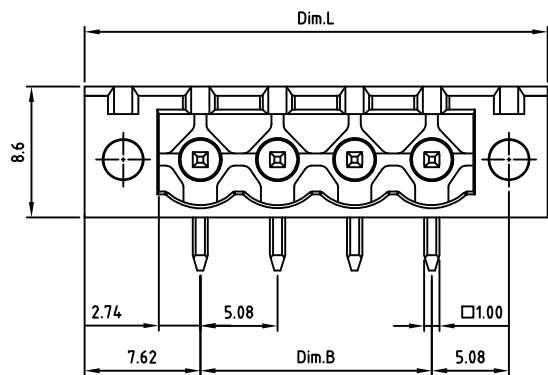
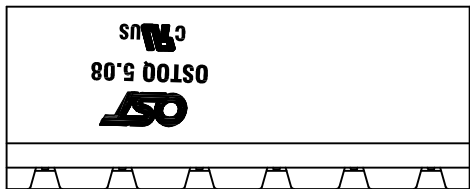


Transfer or duplication of this document as well as the utilisation or communication of its content are not permitted unless express consent is granted. Violations give rise to claims for damages. All rights reserved in case of patent, utility model or design patent registrations.



PCB LAYOUT

Technical data

- 1.Nominal voltage: 300V/15A  
PITCH:5.08mm
- 2.Insulation Withstanding Voltage:  
AC 1600V/MIN
- 3.Insulation Resistance:  
1000M $\Omega$  or more at DC500V
- 4.Operating temperature range:-40°C -115°C
- 5.Soldering temperature range:250°C $\pm$ 10°C/5sec
- 6.Safety approval:
- 7.RoHS Compliance
- 8.Undimensioned Tolerances:

Dim.L=(P+2)x5.08		
Dim.B=(P-1)x5.08		
P= number of poles		
0-30mm	Dim B	Dim L
over 30mm-60mm	$\pm 0.15$	$\pm 0.20$
over 60mm-90mm	$\pm 0.20$	$\pm 0.25$
over 90mm	$\pm 0.25$	$\pm 0.30$
	$\pm 0.30$	$\pm 0.40$

Part No.:

**OSTOQXX5551**

No. of Poles	COLOR
02 2 Poles	0: Black
03 3 Poles	2: Red
...	3: Orange
24 24 Poles	4: Yellow
	5: Green (Standard)
	6: Blue
	8: Grey

Nonstandard colors  
Mins could apply

3	FLANGE NUT	BRASS			2
2	PIN	BRASS		TIN PLATED	P
1	BODY	PA66 UL94V-0			1
ITEM	NAME OF PART	MATERIAL	NOTES		Q"TY
DWG.	Marvin Zhang	DATE	2014.10.14	UNITS: MM	SHEET: 1 OF 1
CHK.	Marvin Zhang	DATE	2016.05.21	SCALE: NONE 3:1 ( : )	REV.: A
APP.		DATE		TITLE: OSTOQ 5.08 Series	X. $\pm 0.50$
				W/Flange type Right-Angle (90D)	X.X $\pm 0.30$
				PART NO. OSTOQXX5551	X.XX $\pm 0.10$
				DWG NO. OSTOQXX5551.dwg	X* $\pm 1^*$

SIGN	DESCRIPTION	CHK.	DATE	



ON-SHORE TECHNOLOGY, INC.