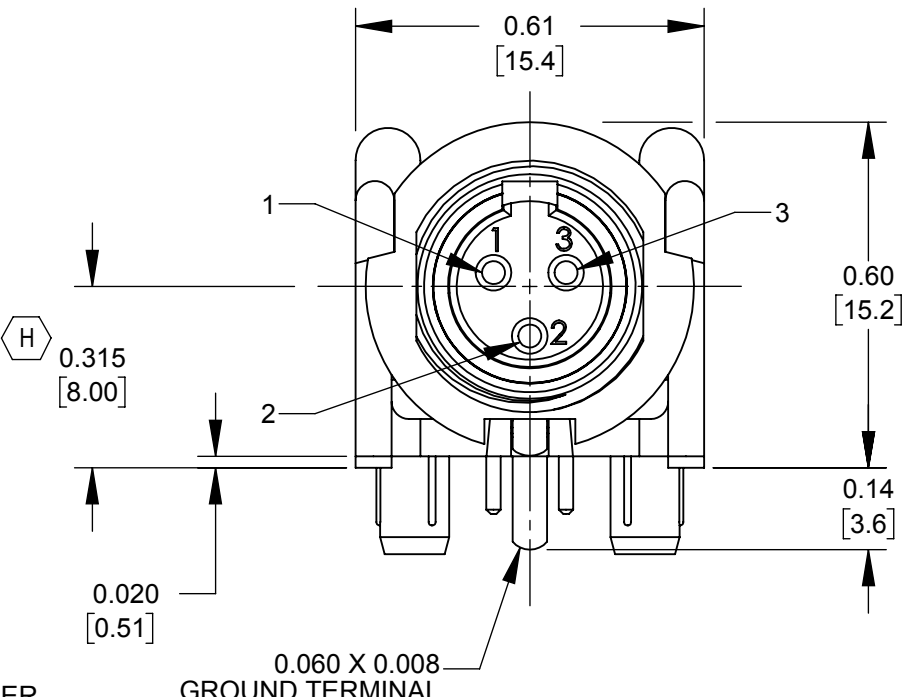
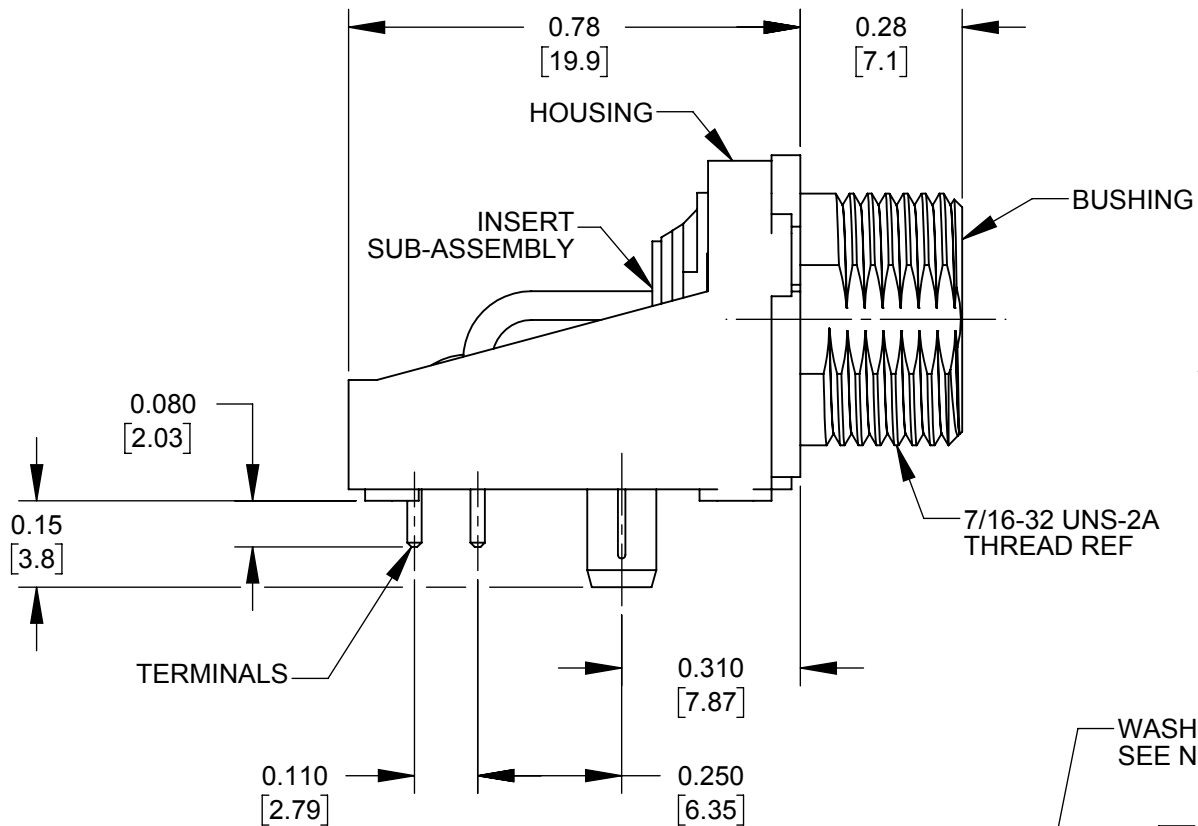
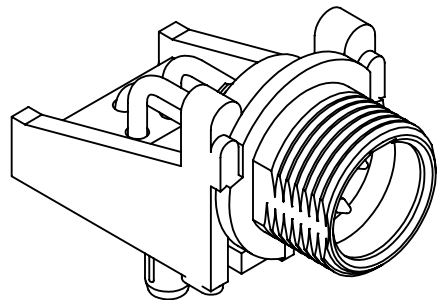


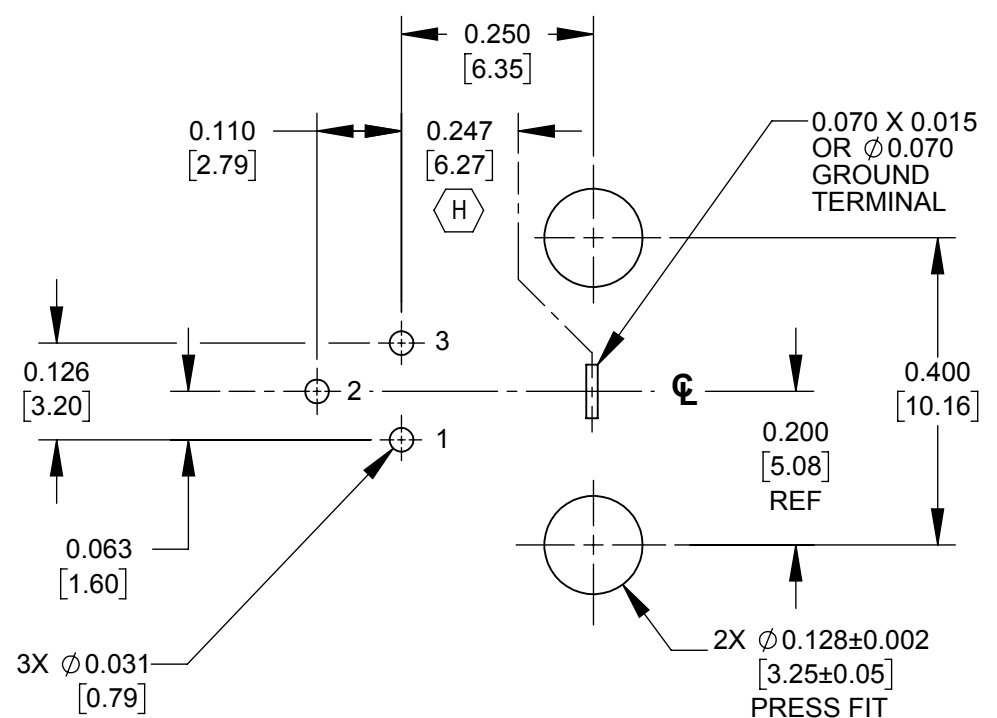
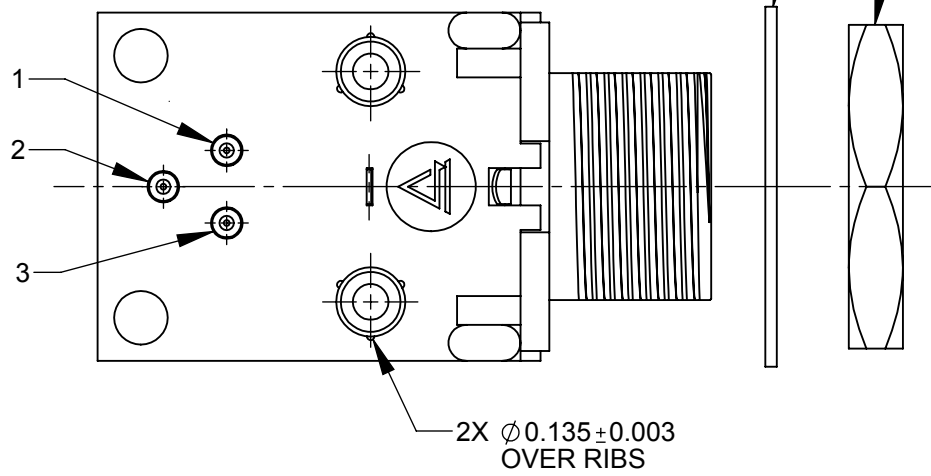
3X  $\phi 0.025$   
PC TERMINALS



WASHER  
SEE NOTE 3

HEX NUT  
SEE NOTE 3

- NOTES:
- MATERIALS:  
 BUSHING - ZINC ALLOY, NICKEL PLATED  
 HOUSING - THERMOPLASTIC, BLACK  
 CONTACTS - COPPER ALLOY, TIN PLATED - TRA3M  
 GOLD PLATED - TRA3MAU  
 GROUND TERMINAL - SPECIAL COPPER ALLOY, TIN PLATED  
 HARDWARE - COPPER ALLOY, NICKEL PLATED
  - ELECTRICAL SPECIFICATIONS:  
 CURRENT RATING - 5A  
 CONTACT RESISTANCE - 0.010 OHM MAX  
 INSULATION RESISTANCE - 100 MEGA OHMS MIN  
 DIELECTRIC WITHSTANDING VOLTAGE - 250 VAC  
 MECHANICAL LIFE - 2000 CYCLES
  - HARDWARE SHIPPED UNASSEMBLED.
  - THIS PRODUCT IS RoHS COMPLIANT.



**RECOMMENDED PC BOARD LAYOUT**  
COMPONENT SIDE

**CUSTOMER DRAWING**

REV	ECO NUMBER	DATE	BY	APVD
H	27650 REDRAWN	2-1-16	TO	TJK
REVISIONS				

UNLESS OTHERWISE SPECIFIED

1. ALL DIMENSIONS IN INCHES

- TWO PLACE DECIMALS  $\pm 0.02$

- THREE PLACE DECIMALS  $\pm 0.005$

**DO NOT SCALE DRAWING**

THIS DRAWING DESCRIBES A DESIGN CONSIDERED PROPRIETARY IN NATURE, DEVELOPED AND MANUFACTURED BY SWITCHCRAFT INC. AND IS RELEASED ON A CONFIDENTIAL BASIS FOR IDENTIFICATION PURPOSES ONLY.									
SIZE	WIDTH	MULT	LBS/M	TEMPER					
FINISH SPEC No.					MATERIAL SPEC No.				
FIRST USED ON			SCALE 3:1		<b>Switchcraft</b> <sup>®</sup>				
DATE DRAWN	BY	CHKD	APVD						
7-6-92	MW	MW	GHJ		SHEET 1 OF 1				
NAME TINI Q-G MALE CONNECTOR R.A.P.C. 3 PIN MALE, RoHS					PART No. TRA3M SERIES		REV H		