

Features

- Dual Band Frequency
- Customizable cable type and cable length
- Rigid PCB Type
- RoHS compliant

Applications

- Routers
- Gateways
- Meters
- Commercial / Handheld Electronics

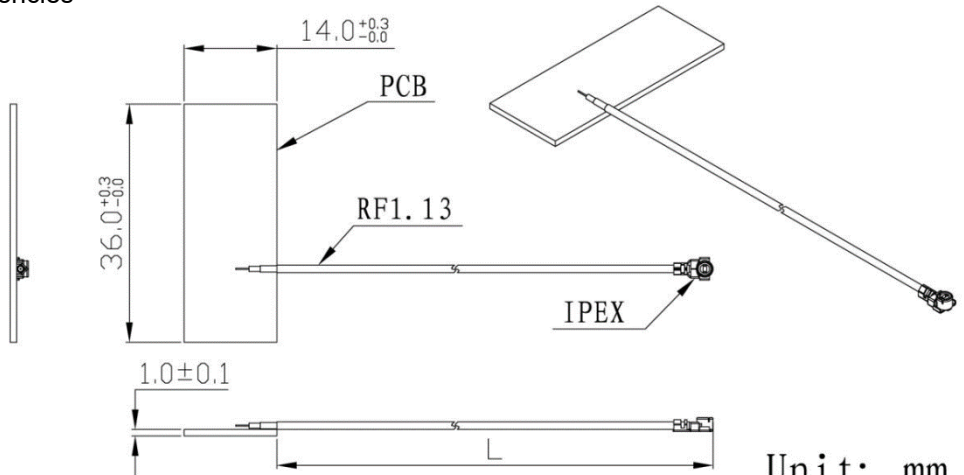


RoHS Compliant
 includes all homogeneous materials
 (see part numbering system for details)

Specification

Electrical	
Frequency Range	2400~2483.5MHz 4900~5825MHz
Polarization	Linear
Gain	2dBi
V.S.W.R	<2.5 (min)
Impedance	50Ω
Dimensions (mm):	
Body Length	36.0 ± 0.30
Width	14 ± 0.3
Thickness	1.0 ± 0.1
Cable Length	100
Cable Type	RF1.13
Connector Type	IPEX
Mounting Method	Adhesive

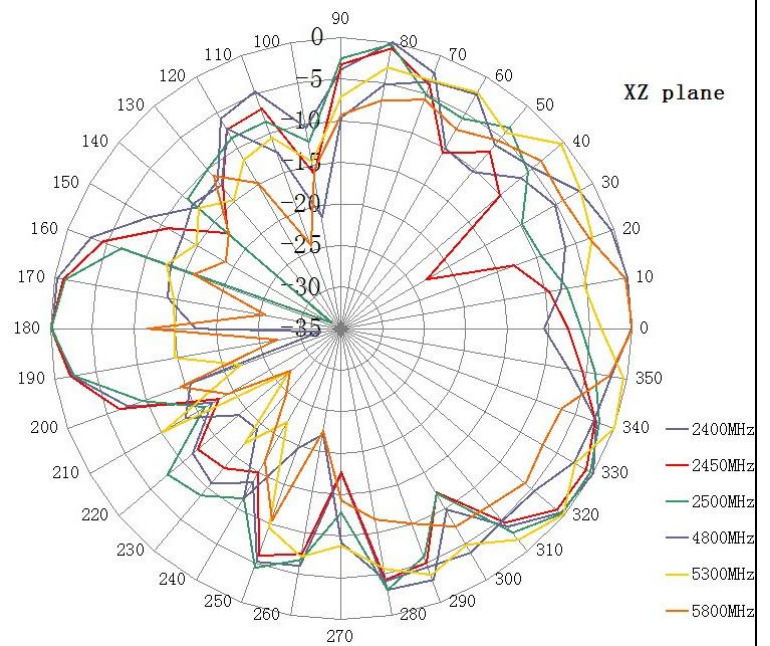
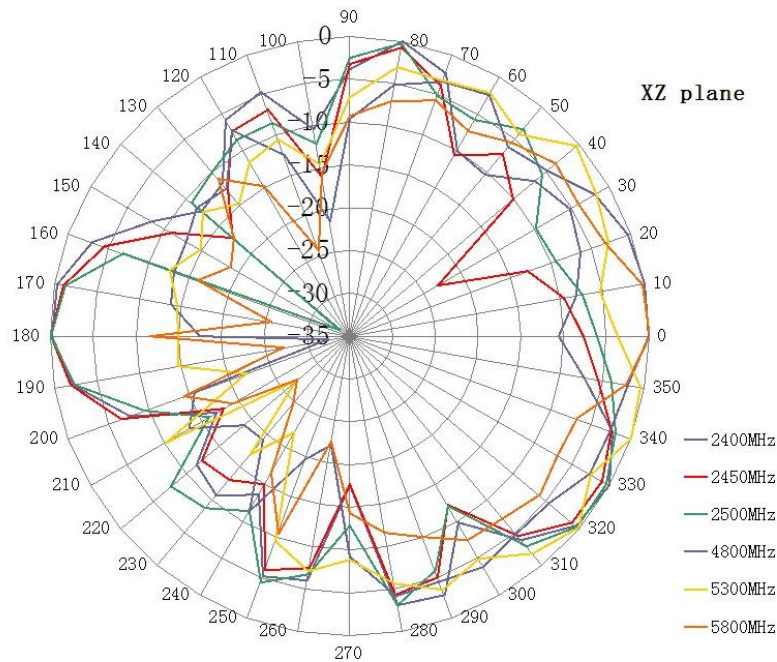
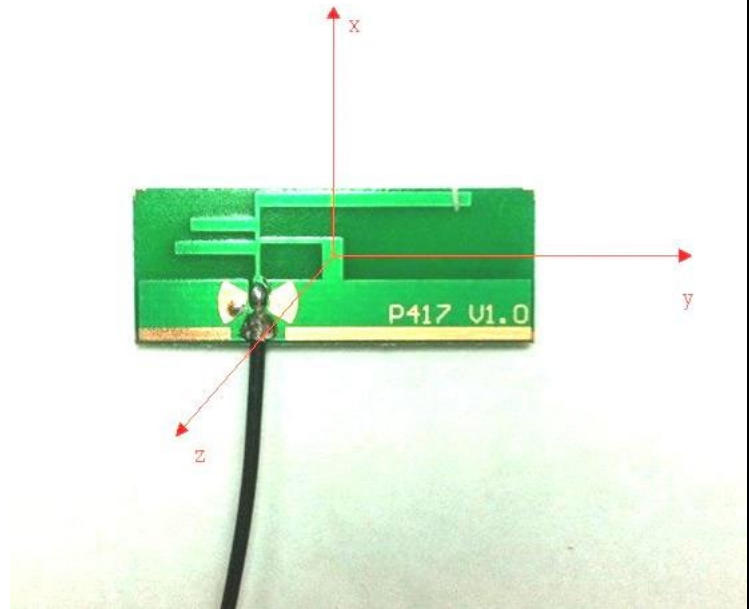
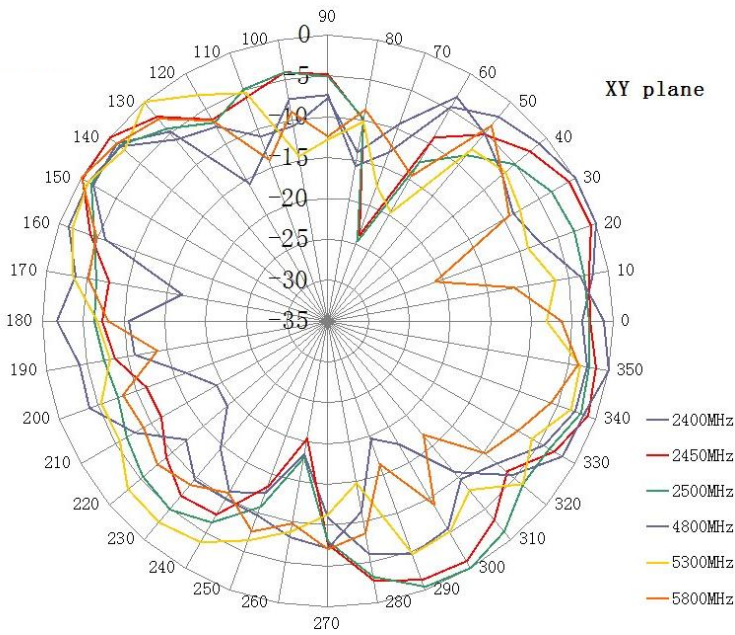
NAN-P 2450-5400 DB B X 100 A F
 F = RoHS compliant
 A = RF1.13 Cable
 100 = Cable length in mm
 X = IPEX Connector
 B = Version Code (See Page 3)
 DB = Dual Band
 2450-5400 = Center Frequencies
 NAN-P = Series



Unit: mm

Environmental	
Operating Temperature	-40°C~+85°C
Vibration	10 ~ 55Hz 1.5mm Amplitude 2 Hours
RoHS Compliant	Yes

Radiation/Antenna Patterns



Version History and Status

Version	Date Issued	Details	Status
A	Nov 4 th , 2020	Initial Release Size = 45mm x 7mm x 0.25mm Cable = RF1.37	Supported
B	Nov 4 th , 2020	New Release Size = 36mm x 14mm x 1.0mm Cable = RF1.13	Supported

Please reach out to NIC for any customization requests and other inquiries:

- NIC Technical Support: tpmg@niccomp.com
- Compliance Support: rohs@niccomp.com