



SIGN	DATE	DESCRIPTION	APPROVER
△	02/07/06	Part No. changed	Tony
△	2010.03.23	Add the 2p mark	Jacke
△	2010.06.23	The drawing is revised.	Jacke

*THIS IS CAD DRAWING, DO NOT REVISE MANUALLY!!!*

**Material**

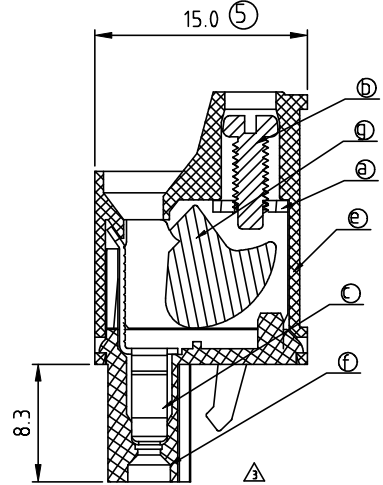
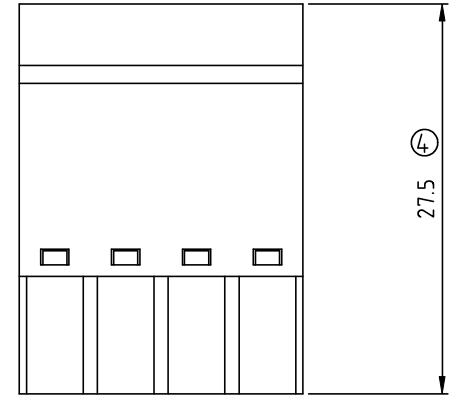
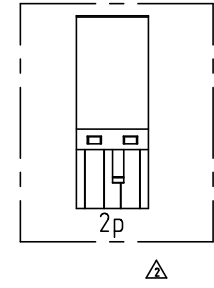
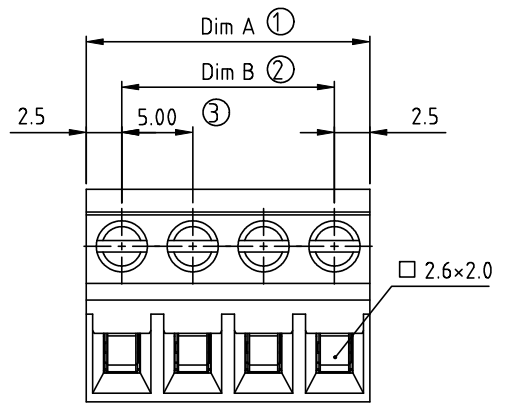
- Item a Clamp: Steel zinc plated.
- Item b Terminal screw: Steel Zinc plating "-" slot type
- Item c Female contact: PhBz Tin plated
- Item d Terminal (Up body): Thermoplastic (UL94V-0)
- Item e Terminal (Down body): Thermoplastic (UL94V-0)
- Item f Clampage: Steel Zinc plated

**Electrical cULus/TUV**

- Voltage rating: 300VAC/300VAC
- Current rating: 20A/20A
- Wire range: 0.34-2.5mm<sup>2</sup>
- Solid wire(AWG): 12-22
- Stranded wire(AWG): 12-22
- Torque: 3.5Lb-In / 0.4Nm
- Screw: M2.5
- Wire strip length: 8-9mm
- Withstanding Voltage: 1.6KV/2.5KV
- Operating temperature: -40°C to +115°C
- Safety approval:  

**VM xx 7 5 x 0 xxxx G**

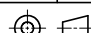
- |         |                     |  |
|---------|---------------------|--|
| POLES   | Color               | G: Pb<40000ppm                           |
| 02 pole | 0 Black (RAL9005)   | 0000: Standard                           |
| ... ..  | 2 Red (RAL3001/D)   | (Steel screw plating Cr <sup>III</sup> ) |
| 24 pole | 3 Orange(RAL2011/P) | 000A: "ANYTEK" Mark                      |
|         | 4 Yellow(RAL1018/A) | Any special item by                      |
|         | 5 Green(RAL6018/T)  | customer request.                        |
|         | 6 Blue (RAL5015/A)  | please contact sales                     |
|         | 8 Grey(RAL7035/D)   | department.                              |



POLE	2	3	4	5	6	7	8	9	10	11	12	
A	10.00	15.00	20.00	25.00	30.00	35.00	40.00	45.00	50.00	55.00	60.00	
B	5.00	10.00	15.00	20.00	25.00	30.00	35.00	40.00	45.00	50.00	55.00	
Tol.	±0.20						±0.25					

POLE	13	14	15	16	17	18	19	20	21	22	23	24
A	65.00	70.00	75.00	80.00	85.00	90.00	95.00	100.00	105.00	110.00	115.00	120.00
B	60.00	65.00	70.00	75.00	80.00	85.00	90.00	95.00	100.00	105.00	110.00	115.00
Tol.	±0.30						±0.40					

<b>ANYTEK</b>				<b>CUSTOMER COPY</b>			
ALL RIGHTS RESERVED. REPRODUCTION OR ISSUE TO THIRD PARTIES IN ANY FORM WHATSOEVER IS NOT PERMITTED WITHOUT WRITTEN AUTHORITY FROM THE PROPRIETOR. PROPERTY OF ANYTEK TECHNOLOGY CO., LTD							
TITLE		VM 5.0mm W/O Flange Series					
PART NO.		VMxx75x0xxxxG			DWG NO.		BVM0001
APPROVED		CHECKED		DESIGNED		DRAWN	
		Jacke		Jacke		CUST NO.	
		2010.06.23		2010.06.23		Tolerance	
						UNIT: mm	
						X.X ±0.30	
						SCALE: NONE	
						X.XX ±0.10	
						X° ±1°	
SHEET: 01/01				REV.: F			