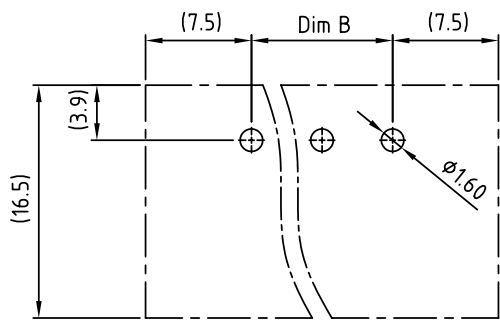
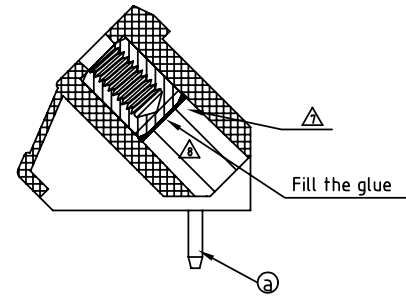
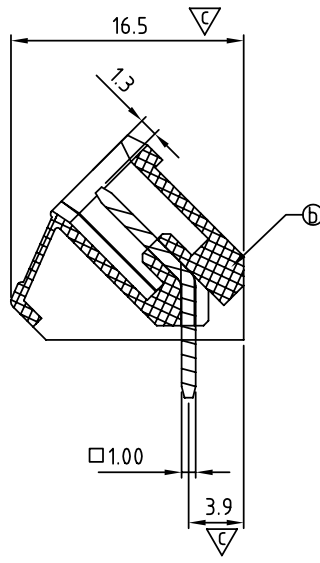
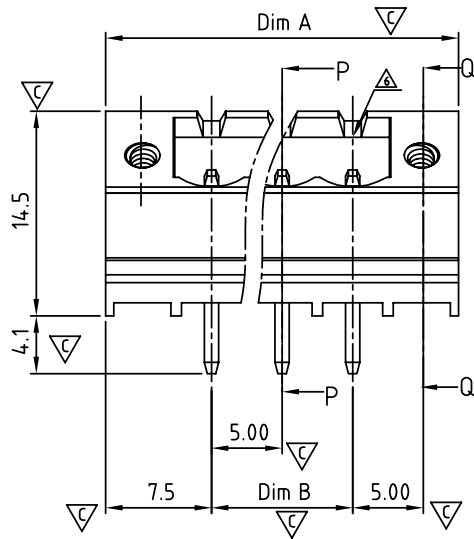


DimA=(N+2)×5.0
 DimB=(N-1)×5.0
 N=NUMBER OF POLES

| POLES | TOL |
|---------|-------------|
| 2p-6p | +0.15/-0.15 |
| 7p-12p | +0.20/-0.20 |
| 13p-18p | +0.30/-0.30 |
| 19p-24p | +0.40/-0.40 |



RECOMMENDED PCB LAYOUT

| SIGN | DATE | DESCRIPTION | APPROVER |
|------|----------|---|----------------|
| △ | 8/07'06 | Added VDE and TUV standard | Liang ren song |
| △ | 1/27'07 | Soldering temperature changed from 245° to 250° | Tony |
| △ | 6/19'08 | Operating temperature is changed | Marvin |
| △ | 6/19'08 | With flange is changed | Marvin |
| △ | 10/27'09 | The material is changed from Brass to Copper | Jacke |
| △ | 10/11'10 | The design is changed | Jacke |
| △ | 10/11'10 | The design is changed from the round hole to hexagonal hole | Jacke |
| △ | 04/28'12 | Flange Nut is changed | Guoxue |

THIS IS CAD DRAWING, DO NOT REVISE MANUALLY!!!

Material:

- Item ③ Male contact pin: Copper Tin plated
- Item ④ Terminal(housing): Thermoplastic (UL94V-0)
- Item ⑤ With flange nut: Brass ,M2.5

- △ Electrical: cULus /VDE/TUV
 - Voltage rating: 300V/300V/300V
 - Current rating: 15A/17A/20A
 - Withstanding Voltage: 1.6 KV/2.5KV/2.5KV
 - Operating temperature: -40°C to +115°C
 - Soldering temperature: 250°C±10°C/5 Sec
 - Safety Approval: cULus VDE TUV
 - Critical dimension: ∇

VK xx 7 2 x 0 xxxx G

No. OF POLES
 02: 2 POLES
 :
 24: 24 POLES

COLOR

- 0 Black (RAL9005)
- 2 Red (RAL3001/D)
- 3 Orange(RAL2011/P)
- 4 Yellow(RAL1018/A)
- 5 Green(RAL6018/T)
- 6 Blue (RAL5015/A)
- 8 Grey(RAL7035/D)

G RoHS compliant
 (lead<4%)
 In copper Alloy

0000: "@ " Logo
 000A: "ANYTEK" Logo
 Any special item by
 customer request.
 please contact sales
 department.

ANYTEK

CUSTOMER COPY

ALL RIGHTS RESERVED. REPRODUCTION OR ISSUE TO THIRD PARTIES IN ANY FORM WHATSOEVER IS NOT PERMITTED WITHOUT WRITTEN AUTHORITY FROM THE PROPRIETOR. PROPERTY OF ANYTEK TECHNOLOGY CO., LTD

| | | | | | |
|----------|---------------|--------------------------------|----------------------|--------------|------------|
| TITLE | | VK-5.0 Series With flange type | | | |
| PART NO. | VKxx72x0xxxxG | DWG NO. | 8VK0203 | | |
| APPROVED | CHECKED | DESIGNED | DRAWN | CUST NO. | Tolerance |
| | | Guoxue 2012.04.28 | Guoxue 2012.04.28 | | X. ±0.50 |
| | | | | | X.X ±0.30 |
| | | | | UNIT: mm | X.XX ±0.10 |
| | | | | SCALE: NONE | X° ±1° |
| | | | | SHEET: 01/01 | REV: I |