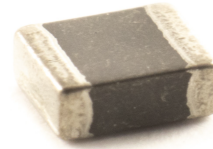
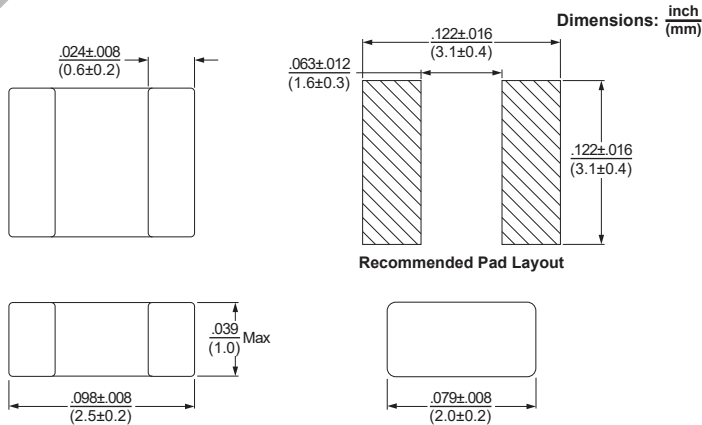




Multilayer Power Chip Inductor

MLPC15



Allied Part Number	Inductance (μH)	Tolerance (%)	Test Freq. MHz, 200mV	DCR (m Ω) $\pm 30\%$	Isat (mA) Max	Irms (mA) Max
MLPC15-R47M-RC	0.47	20	3	40	1500	1800
MLPC15-1R0M-RC	1.0	20	3	60	900	1500
MLPC15-1R5M-RC	1.5	20	3	70	800	1400
MLPC15-2R2M-RC	2.2	20	3	100	500	1200
MLPC15-3R3M-RC	3.3	20	3	120	400	1100
MLPC15-4R7M-RC	4.7	20	3	140	300	1000

All specifications subject to change without notice.

Features

- 1008 EIA Size
- High Current Capacity
- Low DCR
- Multilayer Ferrite Construction
- Excellent Solderability Characteristics

Electrical

Inductance Range: 0.47 μH ~ 4.7 μH

Tolerance: 20% across entire range
Also available in 30%

Test Frequency: 3MHz, 200mV

Operating Temp: -55°C to +125°C

Isat Current: Based on a 30% Inductance drop from its original value without current.

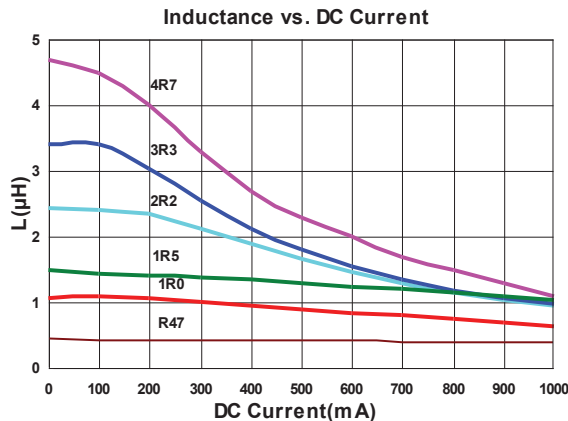
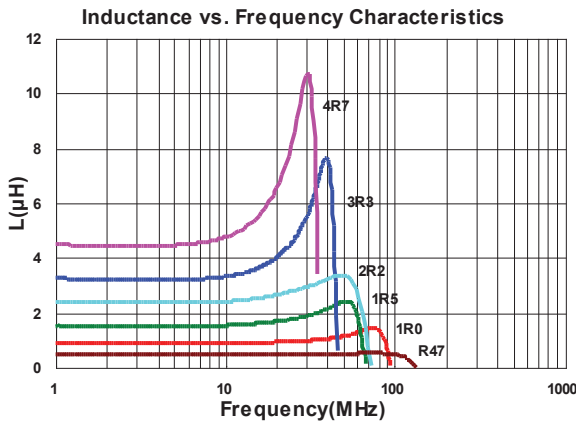
Irms Current: Based on a 40°C temperature rise from 25°C ambient without current.

Test Equipment

(L): Agilent HP4287A + 16197A
DCR: HP 4338B, or equivalent

Physical

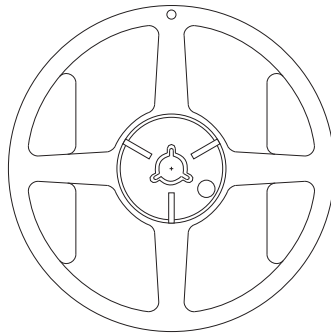
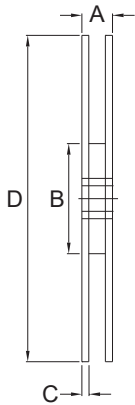
Packaging: 3000 pieces per 7 inch reel
Marking: None





Packaging Information

Reel Dimensions



Type	A(mm)	B(mm)	C(mm)	D(mm)
178x12mm	12	60	1.5	178

Tape Dimensions

