

# Wirewound Resistors, Industrial High Power, Vitreous Tubular



“CS” Type 1 Collars

## FEATURES

- 95 W to 800 W at 25 °C
- NF C 93-214
- RB 25 x 168, RB 30 x 250
- Rugged construction for use in severe environmental conditions
- Material categorization: for definitions of compliance please see [www.vishay.com/doc?99912](http://www.vishay.com/doc?99912)

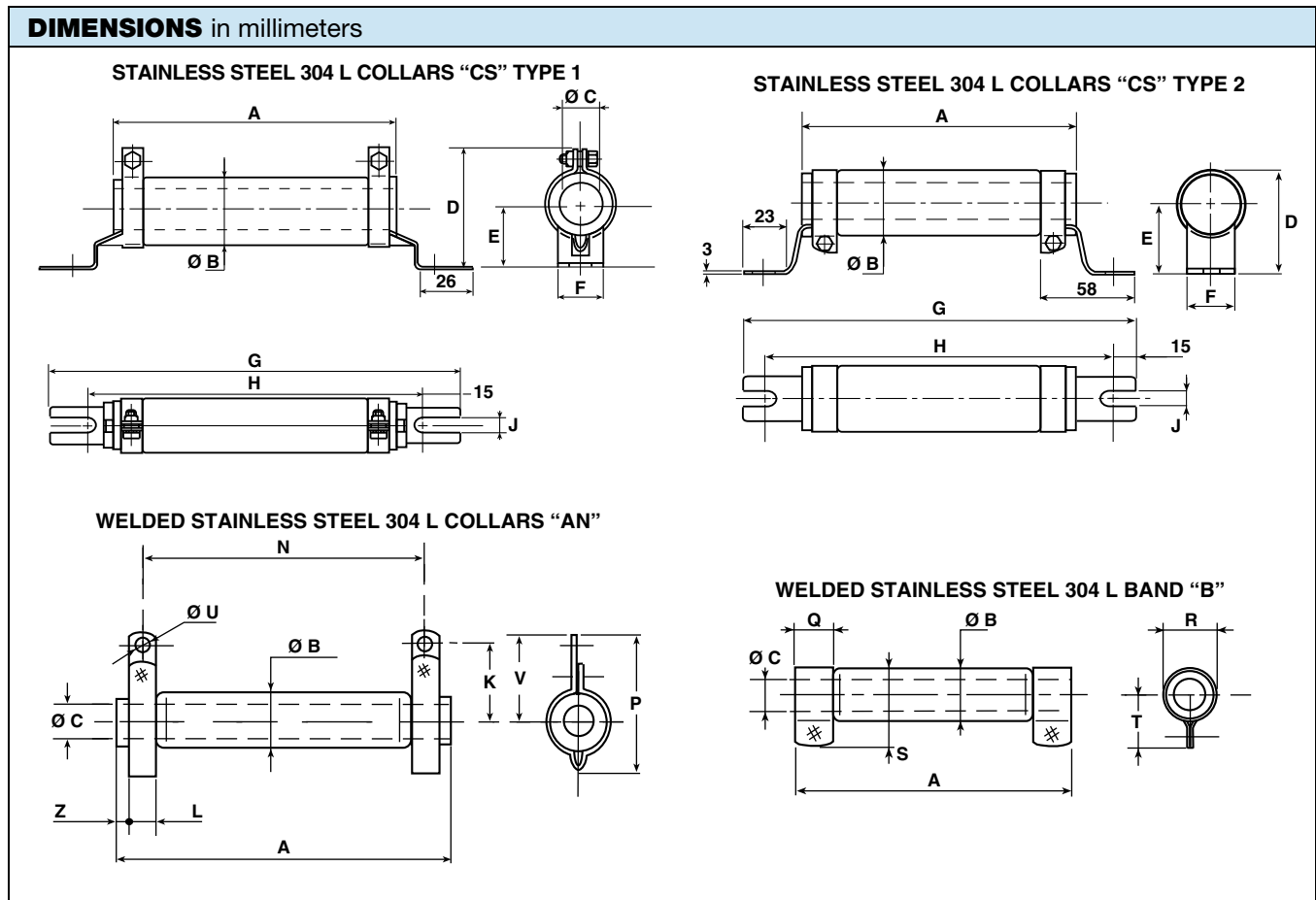


**RoHS**  
COMPLIANT

The RWST vitreous wirewound high power resistors are known for their excellent reliability which has developed out of the Vishay Sfernice experience over several decades in the field of high current applications.

Extremely severe conditions of use are encountered in electrical traction including repeated overloads. To withstand such conditions the new RWST model is extremely rugged and is manufactured to a very carefully monitored process using the best materials.

NF F 16101, 10/1988 and 16102, 04/1992: Not applicable (our parts are made of metallic and refractory materials).  
NF C 93-214. Performances according to NF C 93-214.





DIMENSIONS in millimeters												
SERIES	CONNECTIONS	A ± 2	Ø B MAX.	Ø C MIN.	D	E	F ± 0.5	G -4 +0	H -4 +0	J ± 0.5	K	L +0.5 +0
RWST 25 x 138	AN-B CS type 1	138	28	12	50 ± 1.5	27 ± 1	24	199	169	6.5	28.5 ± 1	9
RWST 25 x 168	AN-B CS type 1	168	28	12	50 ± 1.5	27 ± 1	24	229	199	6.5	28.5 ± 1	9
RWST 30 x 250	AN-B CS type 1	250	33	17	60 ± 1.5	30 ± 1	25	317	287	9	31 ± 1	13
RWST 40 x 370	AN CS type 2	370	45	22	69 max.	45 ± 1.5	30	432	405	9	45 ± 1.5	18
RWST 50 x 373	AN CS type 2	373	53	27.1	80 max.	51 ± 1.5	30	432	405	9	51 ± 1.5	18
SERIES	CONNECTIONS	N ± 2	P	Q -0 +5	R -0.3 +0.9	S MAX.	T ± 1	Ø U	V	Z	AVERAGE UNIT WEIGHT IN g (CS collars)	
RWST 25 x 138	AN-B CS type 1	117 ± 2	51.5 ± 1.5	15	26	38.5	23.5	5.7	33.5 ± 1	6	225	
RWST 25 x 168	AN-B CS type 1	147 ± 2	50 ± 1.5	15	26	38.5	23.5	5.7	33.5 ± 1	6	250	
RWST 30 x 250	AN-B CS type 1	227 ± 2	55 ± 1.5	18	31	43.5	26	5.7	36 ± 1	5	445	
RWST 40 x 370	AN CS type 2	332 ± 3	81.5 max.	-	-	-	-	9.2	57 ± 1.5	10	1400	
RWST 50 x 373	AN CS type 2	332 ± 3	92.5 max.	-	-	-	-	9.2	63 ± 1.5	11.5	2200	

STANDARD ELECTRICAL SPECIFICATIONS				
MODEL	SIZE	RESISTANCE RANGE Ω	RATED POWER P <sub>25 °C</sub> W	TOLERANCE ± %
RWST 25 x 138	25138	2.7 to 82K	95	5
RWST 25 x 168	25168	2.7 to 100K	160	5
RWST 30 x 250	30250	4.7 to 220K	280	5
RWST 40 x 370	40370	8.2 to 360K	500	5
RWST 50 x 373	50373	12 to 390K	700	5

MECHANICAL SPECIFICATIONS	
Mechanical Protection	Vitreous enamel
Resistive Element	Ni-Cr wire
Connections	CS supporting collars
AN Collar or B	on request
Average Unit Weight	225 g to 2200 g

TECHNICAL SPECIFICATIONS	
Resistance Range	2.7 Ω to 430 kΩ (E12, E24 preferred series values)
Resistance Tolerance Standard	± 5 %
Power Rating	95 W to 800 W at 25 °C
Temperature Coefficient	75 ppm/°C (typical)
Shelf Life	0.1 % year (typical)

ENVIRONMENTAL SPECIFICATIONS	
Temperature Range	-55 °C +450 °C
Climatic Category	-55 °C / +200 °C / 56 days

PERFORMANCE			
TESTS	CONDITIONS	REQUIREMENTS	TYPICAL VALUES AND DRIFTS
Short Time Overload	10 P <sub>r</sub> during 5 s Voltage limited at < 5000 V	2 % or 0.05 Ω	0.5 %
Climatic Sequence	-55 °C, +200 °C	2 % or 0.05 Ω Insulation resistance 100 MΩ	0.5 %
Humidity (Steady State)	56 days 95 % relative humidity	3 % or 0.05 Ω Insulation resistance 100 MΩ	0.5 %
Thermal Shock	Load at 100 % P <sub>r</sub> followed by cold temperature exposure at -55 °C / 15'	2 % or 0.05 Ω	0.5 %
Shock	Severity 50 A 9 shocks/each side	1 % or 0.05 Ω	0.25 %
Vibration	Severity 55B	1 % or 0.05 Ω	0.25 %
Terminal Strength	AN B Traction 40 Ncm Torque 60 Ncm	1 % or 0.05 Ω	0.5 %
Load Life	90' / 30' cycle 1000 h at P <sub>r</sub> 25 °C	5 %	1000 h 1 %
			5000 h 2 %



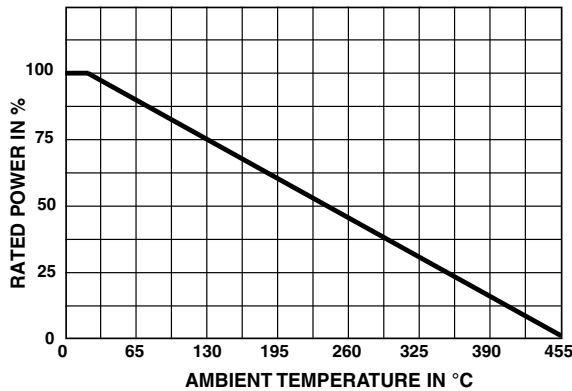
<b>SPECIAL FEATURES</b>					
<b>RWST STYLE</b>	<b>25 x 138</b>	<b>25 x 168</b>	<b>30 x 250</b>	<b>40 x 370</b>	<b>50 x 373</b>
Designation NF C 93-214	-	RB 25 x 168	RB 30 x 250	-	-
Maximum Power Rating at 25 °C	110 W	180 W	320 W	600 W	800 W
Ohmic Range (E12, E24 series)	2.7 Ω to 82 kΩ	2.7 Ω to 100 kΩ	4.7 Ω to 220 kΩ	8.2 Ω to 360 kΩ	12 Ω to 430 kΩ
Limiting Element Voltage	1400 V	1900 V	3000 V	4500 V	5000 V
Critical Resistance	18 kΩ	20 kΩ	30 kΩ	36 kΩ	30 kΩ

**NON INDUCTIVE WINDING**

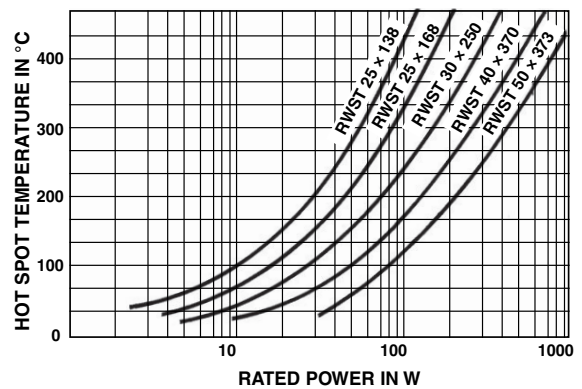
For high frequencies, low self induction resistors are available with special windings. RWSTNI designation.

<b>MODEL AND STYLE</b>	<b>RWSTNI 25 x 138</b>	<b>RWSTNI 25 x 168</b>	<b>RWSTNI 30 x 250</b>	<b>RWSTNI 40 x 370</b>	<b>RWSTNI 50 x 373</b>
Ohmic Range (E12 series)	22 Ω 2.5 kΩ	22 Ω 4 kΩ	120 Ω 6.8 kΩ	120 Ω 8.2 kΩ	150 Ω 8.2 kΩ

**POWER RATING**



**TEMPERATURE RISE**



**MARKING**

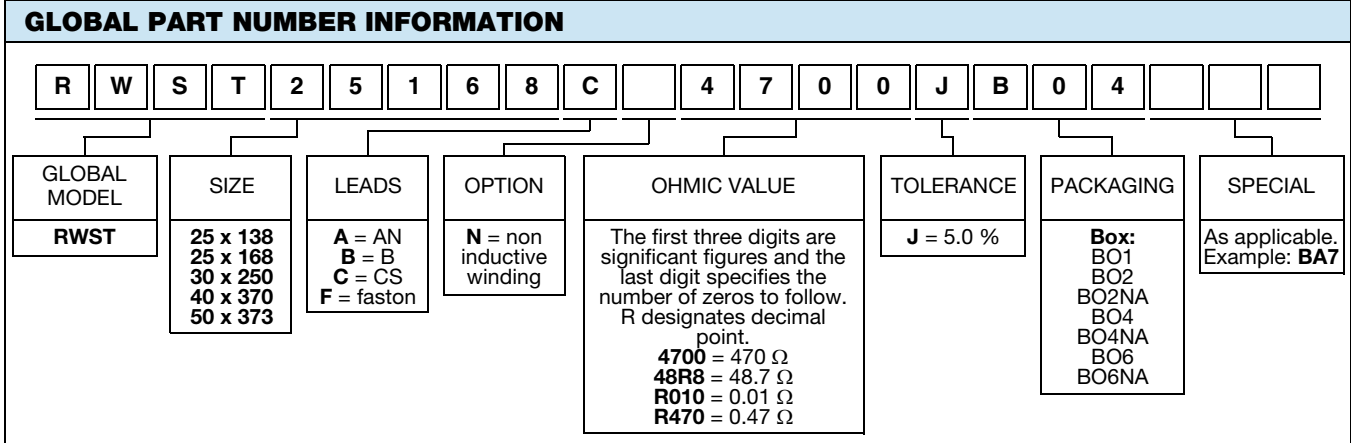
Vishay Sfernice trademark, model, style, nominal resistance (in Ω), tolerance (in %), manufacturing date.

**PACKAGING**

Box: Fixed quantity depending on size and connections

<b>ORDERING INFORMATION</b>								
<b>RWST</b>	<b>25 x 138</b>			<b>B</b>	<b>56U</b>	<b>± 5 %</b>	<b>B06</b>	<b>e</b>
MODEL	STYLE	NON-INDUCTIVE WINDING	SPECIAL DESIGN	CONNECTIONS	OHMIC VALUE	TOLERANCE	PACKAGING	LEAD (Pb)-FREE
		Optional	Optional					

Custom items are subject to extra-charge and min. order. Please see price list.



<b>RELATED DOCUMENTS</b>	
<b>APPLICATION NOTES</b>	
Packaging Information	<a href="http://www.vishay.com/doc?50033">www.vishay.com/doc?50033</a>



## Disclaimer

ALL PRODUCT, PRODUCT SPECIFICATIONS AND DATA ARE SUBJECT TO CHANGE WITHOUT NOTICE TO IMPROVE RELIABILITY, FUNCTION OR DESIGN OR OTHERWISE.

Vishay Intertechnology, Inc., its affiliates, agents, and employees, and all persons acting on its or their behalf (collectively, "Vishay"), disclaim any and all liability for any errors, inaccuracies or incompleteness contained in any datasheet or in any other disclosure relating to any product.

Vishay makes no warranty, representation or guarantee regarding the suitability of the products for any particular purpose or the continuing production of any product. To the maximum extent permitted by applicable law, Vishay disclaims (i) any and all liability arising out of the application or use of any product, (ii) any and all liability, including without limitation special, consequential or incidental damages, and (iii) any and all implied warranties, including warranties of fitness for particular purpose, non-infringement and merchantability.

Statements regarding the suitability of products for certain types of applications are based on Vishay's knowledge of typical requirements that are often placed on Vishay products in generic applications. Such statements are not binding statements about the suitability of products for a particular application. It is the customer's responsibility to validate that a particular product with the properties described in the product specification is suitable for use in a particular application. Parameters provided in datasheets and / or specifications may vary in different applications and performance may vary over time. All operating parameters, including typical parameters, must be validated for each customer application by the customer's technical experts. Product specifications do not expand or otherwise modify Vishay's terms and conditions of purchase, including but not limited to the warranty expressed therein.

Hyperlinks included in this datasheet may direct users to third-party websites. These links are provided as a convenience and for informational purposes only. Inclusion of these hyperlinks does not constitute an endorsement or an approval by Vishay of any of the products, services or opinions of the corporation, organization or individual associated with the third-party website. Vishay disclaims any and all liability and bears no responsibility for the accuracy, legality or content of the third-party website or for that of subsequent links.

Except as expressly indicated in writing, Vishay products are not designed for use in medical, life-saving, or life-sustaining applications or for any other application in which the failure of the Vishay product could result in personal injury or death. Customers using or selling Vishay products not expressly indicated for use in such applications do so at their own risk. Please contact authorized Vishay personnel to obtain written terms and conditions regarding products designed for such applications.

No license, express or implied, by estoppel or otherwise, to any intellectual property rights is granted by this document or by any conduct of Vishay. Product names and markings noted herein may be trademarks of their respective owners.