

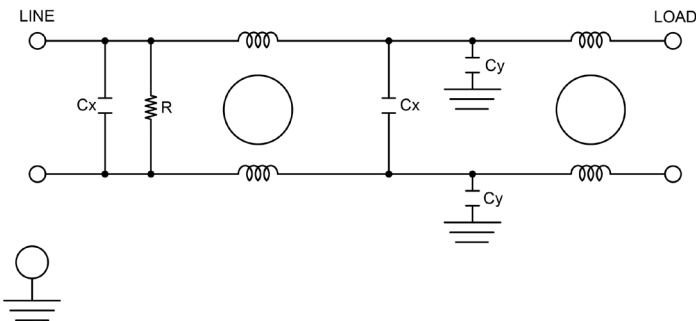
RP220

HIGH PERFORMANCE DUAL STAGE POWER LINE FILTER

FEATURES

- » Rated currents include **6A, 10A, 12A, 16A and 20A**
- » Dual Stage Line Filter
- » Available with **QD** tabs, **W** (wire), and **S** (studs) option
- » High Performance
- » Agency Approved to UL1283 / 60929, CSA C22.2, EN 60939
- » Y-cap value can be adjusted to fit specifications

ELECTRICAL SCHEMATIC



SPECIFICATIONS

OPERATING FREQUENCY	50/60Hz
USABLE FREQUENCY	DC - 400 Hz
MAX. OPERATING VOLTAGE*	250V +10%
AMBIENT TEMPERATURE	-25 TO 40°C
CLIMATIC CATEGORY	25/100/21
TERMINALS (-T)	QD: 0.25 TABS WIRE LEADS STUDS (M4)

TYP. WEIGHT, LBS (KG) 0.8 (0.4)

LEAKAGE CURRENT

@ 250 VAC 50 Hz	0 - 1.80 mA Max.
@ 120 VAC 60 Hz	0 - 0.90 mA Max.

HIPOT RATINGS

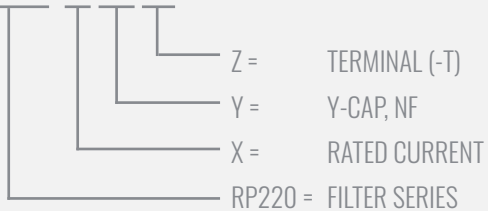
LINE TO GROUND 2700 VDC

TYPICAL APPLICATIONS

- ✓ Household Appliances
- ✓ Automation Equipment
- ✓ Medical Devices
- ✓ Office Electronics
- ✓ Electronic Devices
- ✓ Noisy Applications
- ✓ Industrial Machinery

HOW TO ORDER

RP220-X-Y-Z



NOTE: USE ANY COMBINATION OF -X (AMPS) WITH ANY -Y RATINGS

E.G. **RP220-6-2.2-QD** (6AMPS WITH 2.2 NF YCAP)

For **X**, **Y** and **Z** options see product specification table.

RP220

HIGH PERFORMANCE DUAL STAGE POWER LINE FILTER

MODEL NO.	RATED CURRENT, A @ 40° C	Y-CAP, nF	LEAKAGE CURRENT, mA @ 250V AC, 50 Hz / @ 120V AC, 60 Hz		TERMINAL OPTIONS			MAX. DIMENSIONS" (MM)		
					(QD) INPUT/ OUTPUT	(W) INPUT/ OUTPUT	(S) INPUT/ OUTPUT	WIDTH	(LENGTH)	HEIGHT
RP220-6-0-QD	6	0	-	-	✓			2.28" (58)	4.56" (115.72)	1.81" (46)
RP220-6-0-S	6	0	-	-			✓	2.28" (58)	5.00" (127)	1.81" (46)
RP220-6-0-W	6	0	-	-		✓		2.28" (58)	4.53" (115)	1.81" (46)
RP220-6-.47-QD	6	0.47	0.07	0.04	✓			2.28" (58)	4.56" (115.72)	1.81" (46)
RP220-6-.47-S	6	0.47	0.07	0.04			✓	2.28" (58)	5.00" (127)	1.81" (46)
RP220-6-.47-W	6	0.47	0.07	0.04		✓		2.28" (58)	4.53" (115)	1.81" (46)
RP220-6-1-QD	6	1	0.15	0.09	✓			2.28" (58)	4.56" (115.72)	1.81" (46)
RP220-6-1-S	6	1	0.15	0.09			✓	2.28" (58)	5.00" (127)	1.81" (46)
RP220-6-1-W	6	1	0.15	0.09		✓		2.28" (58)	4.53" (115)	1.81" (46)
RP220-6-2.2-QD	6	2.2	0.34	0.19	✓			2.28" (58)	4.56" (115.72)	1.81" (46)
RP220-6-2.2-W	6	2.2	0.34	0.19		✓		2.28" (58)	4.53" (115)	1.81" (46)
RP220-6-4.7-QD	6	4.7	0.73	0.42	✓			2.28" (58)	4.56" (115.72)	1.81" (46)
RP220-6-4.7-S	6	4.7	0.73	0.42			✓	2.28" (58)	5.00" (127)	1.81" (46)
RP220-6-4.7-W	6	4.7	0.73	0.42		✓		2.28" (58)	4.53" (115)	1.81" (46)
RP220-6-10-QD	6	10	1.57	0.90	✓			2.28" (58)	4.56" (115.72)	1.81" (46)
RP220-6-10-S	6	10	1.57	0.90			✓	2.28" (58)	5.00" (127)	1.81" (46)
RP220-6-10-W	6	10	1.57	0.90		✓		2.28" (58)	4.53" (115)	1.81" (46)
RP220-10-0-QD	10	0	-	-	✓			2.28" (58)	4.56" (115.72)	1.81" (46)
RP220-10-0-S	10	0	-	-			✓	2.28" (58)	5.00" (127)	1.81" (46)
RP220-10-0-W	10	0	-	-		✓		2.28" (58)	4.53" (115)	1.81" (46)
RP220-10-.47-QD	10	0.47	0.07	0.04	✓			2.28" (58)	4.56" (115.72)	1.81" (46)
RP220-10-.47-S	10	0.47	0.07	0.04			✓	2.28" (58)	5.00" (127)	1.81" (46)
RP220-10-.47-W	10	0.47	0.07	0.04		✓		2.28" (58)	4.53" (115)	1.81" (46)
RP220-10-1-QD	10	1	0.15	0.09	✓			2.28" (58)	4.56" (115.72)	1.81" (46)
RP220-10-1-W	10	1	0.15	0.09		✓		2.28" (58)	5.00" (127)	1.81" (46)
RP220-10-1-S	10	1	0.15	0.09			✓	2.28" (58)	4.53" (115)	1.81" (46)
RP220-10-2.2-QD	10	2.2	0.34	0.19	✓			2.28" (58)	4.56" (115.72)	1.81" (46)
RP220-10-2.2-S	10	2.2	0.34	0.19			✓	2.28" (58)	5.00" (127)	1.81" (46)
RP220-10-2.2-W	10	2.2	0.34	0.19		✓		2.28" (58)	4.53" (115)	1.81" (46)
RP220-10-4.7-QD	10	4.7	0.73	0.42	✓			2.28" (58)	4.56" (115.72)	1.81" (46)
RP220-10-4.7-S	10	4.7	0.73	0.42			✓	2.28" (58)	5.00" (127)	1.81" (46)
RP220-10-4.7-W	10	4.7	0.73	0.42		✓		2.28" (58)	4.53" (115)	1.81" (46)
RP220-10-10-QD	10	10	1.57	0.90	✓			2.28" (58)	4.56" (115.72)	1.81" (46)
RP220-10-10-S	10	10	1.57	0.90			✓	2.28" (58)	5.00" (127)	1.81" (46)

ADDITIONAL MODEL NO. >>

RP220

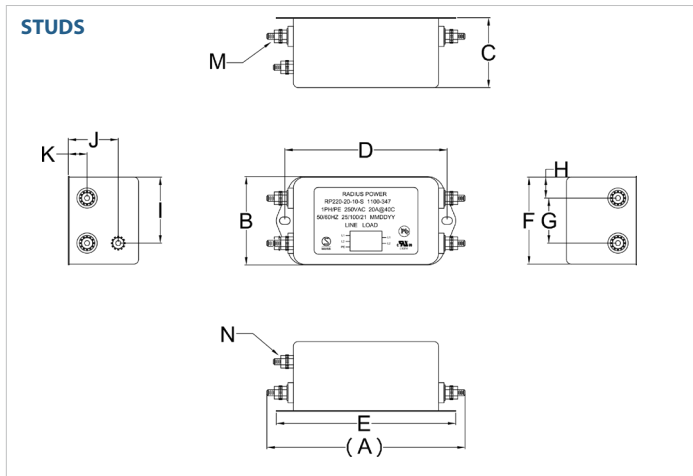
HIGH PERFORMANCE DUAL STAGE POWER LINE FILTER

MODEL NO.	RATED CURRENT, A @ 40° C	Y-CAP, nF	LEAKAGE CURRENT, mA @ 250V AC, 50 Hz / @ 120V AC, 60 Hz		TERMINAL OPTIONS			MAX. DIMENSIONS" (MM)		
					(QD) INPUT/ OUTPUT	(W) INPUT/ OUTPUT	(S) INPUT/ OUTPUT	WIDTH	(LENGTH)	HEIGHT
RP220-10-10-W	10	10	0.73	0.42		✓		2.28" (58)	4.53" (115)	1.81" (46)
RP220-12-0-QD	12	0	-	-	✓			2.28" (58)	4.56" (115.72)	1.81" (46)
RP220-12-0-S	12	0	-	-			✓	2.28" (58)	5.00" (127)	1.81" (46)
RP220-12-0-W	12	0	-	-		✓		2.28" (58)	4.53" (115)	1.81" (46)
RP220-12-.47-QD	12	0.47	0.07	0.04	✓			2.28" (58)	4.56" (115.72)	1.81" (46)
RP220-12-.47-S	12	0.47	0.07	0.04			✓	2.28" (58)	5.00" (127)	1.81" (46)
RP220-12-.47-W	12	0.47	0.07	0.04		✓		2.28" (58)	4.53" (115)	1.81" (46)
RP220-12-1-QD	12	1	0.15	0.09	✓			2.28" (58)	4.56" (115.72)	1.81" (46)
RP220-12-1-W	12	1	0.15	0.09		✓		2.28" (58)	4.53" (115)	1.81" (46)
RP220-12-1-S	12	1	0.15	0.09			✓	2.28" (58)	5.00" (127)	1.81" (46)
RP220-12-2.2-QD	12	2.2	0.34	0.19	✓			2.28" (58)	4.56" (115.72)	1.81" (46)
RP220-12-2.2-S	12	2.2	0.34	0.19			✓	2.28" (58)	5.00" (127)	1.81" (46)
RP220-12-2.2-W	12	2.2	0.34	0.19		✓		2.28" (58)	4.53" (115)	1.81" (46)
RP220-12-4.7-QD	12	4.7	0.73	0.42	✓			2.28" (58)	4.56" (115.72)	1.81" (46)
RP220-12-4.7-S	12	4.7	0.73	0.42			✓	2.28" (58)	5.00" (127)	1.81" (46)
RP220-12-4.7-W	12	4.7	0.73	0.42		✓		2.28" (58)	4.53" (115)	1.81" (46)
RP220-12-10-QD	12	10	1.57	0.90	✓			2.28" (58)	4.56" (115.72)	1.81" (46)
RP220-12-10-S	12	10	1.57	0.90			✓	2.28" (58)	5.00" (127)	1.81" (46)
RP220-12-10-W	12	10	1.57	0.90		✓		2.28" (58)	4.53" (115)	1.81" (46)
RP220-16-0-QD	16	0	-	-	✓			2.28" (58)	4.56" (115.72)	1.81" (46)
RP220-16-0-S	16	0	-	-			✓	2.28" (58)	5.00" (127)	1.81" (46)
RP220-16-0-W	16	0	-	-		✓		2.28" (58)	4.53" (115)	1.81" (46)
RP220-16-.47-QD	16	0.47	0.07	0.04	✓			2.28" (58)	4.56" (115.72)	1.81" (46)
RP220-16-.47-S	16	0.47	0.07	0.04			✓	2.28" (58)	5.00" (127)	1.81" (46)
RP220-16-.47-W	16	0.47	0.07	0.04		✓		2.28" (58)	4.53" (115)	1.81" (46)
RP220-16-1-QD	16	1	0.15	0.09	✓			2.28" (58)	4.56" (115.72)	1.81" (46)
RP220-16-1-S	16	1	0.15	0.09			✓	2.28" (58)	5.00" (127)	1.81" (46)
RP220-16-1-S	16	1	0.15	0.09			✓	2.28" (58)	5.00" (127)	1.81" (46)
RP220-16-1-W	16	1	0.15	0.09		✓		2.28" (58)	4.53" (115)	1.81" (46)
RP220-16-1-W	16	1	0.15	0.09		✓		2.28" (58)	4.53" (115)	1.81" (46)
RP220-16-2.2-QD	16	2.2	0.34	0.19	✓			2.28" (58)	4.56" (115.72)	1.81" (46)
RP220-16-4.7-QD	16	4.7	0.73	0.42	✓			2.28" (58)	4.56" (115.72)	1.81" (46)
RP220-16-4.7-S	16	4.7	0.73	0.42			✓	2.28" (58)	5.00" (127)	1.81" (46)
RP220-16-4.7-W	16	4.7	0.73	0.42		✓		2.28" (58)	4.53" (115)	1.81" (46)

ADDITIONAL MODEL NO. >>

RP220

HIGH PERFORMANCE DUAL STAGE POWER LINE FILTER



SERIES	(A)	B	C	D	E	F	G	H	I	J	K	L	M	N
QD TABS	4.56" (115.72)	2.28" (58)	1.81" (46)	4.09" (104)	4.53" (115)	2.24" (57)	0.94" (24)	0.63" (16)	1.57" (40)	1.28" (32.5)	0.47" (12)	Ø 0.26", 2x Ø 6.8x4.8, 2x	0.25", 5x QD, MALE, 6.35, 5x	N/A
WIRES	4.53" (115)	2.28" (58)	1.81" (46)	4.09" (104)	3.80" (96.56)	2.24" (57)	0.94" (24)	0.63" (16)	1.57" (40)	1.28" (32.5)	0.47" (12)	Ø 0.26", 2x Ø 6.8x4.8, 2x	N/A	N/A
STUDS	5.00" (127)	2.28" (58)	1.81" (46)	4.09" (104)	4.53" (115)	2.24" (57)	1.14" (29)	0.53" (13.5)	1.67" (42.5)	1.26" (32)	0.47" (12)	Ø 0.26", 2x Ø 6.8x4.8, 2x	STUD, 8-32, 4x	STUD, GND, 8-32

TYPICAL TOLERANCE: +/-0.02" (0.50MM)

TYPICAL INSERTION LOSS, dB (50/50 Ohm)

Amps	Freq (MHz)	Insertion Loss (dB)				
		0.15	0.5	1.0	10	30
6	CM (dB)	60	70	70	52	50
	DM (dB)	50	60	68	60	60
10	CM (dB)	55	70	70	50	50
	DM (dB)	45	60	60	70	65
12	CM (dB)	56	70	70	50	50
	DM (dB)	45	60	68	60	60
16	CM (dB)	42	65	70	55	50
	DM (dB)	36	60	65	65	60
20	CM (dB)	40	65	70	52	40
	DM (dB)	34	58	60	65	60