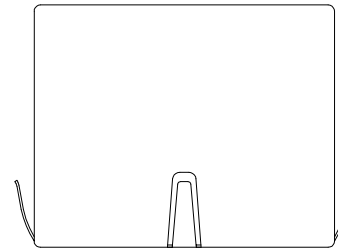


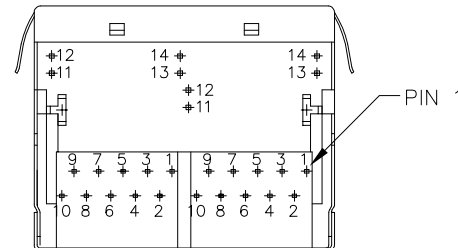
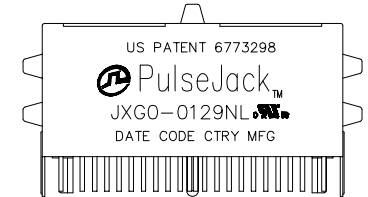
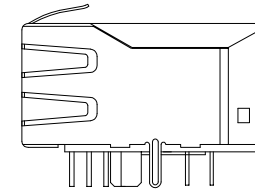
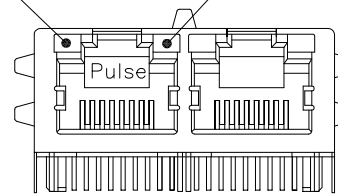


NOTES:

1. ROHS COMPLIANT
2. PLASTIC HOUSING: THERMOPLASTIC MATERIAL WITH FLAMMABILITY RATING UL 94V-0 OR BETTER.
3. CONTACTS PLATING: 30 μINCHES GOLD PLATING.
4. CONTACTS BASE MATERIAL: PHOSPHOR BRONZE
5. UNDER PLATING: 50 μINCHES NICKEL
6. SOLDER TAIL PLATING : 150-300 μINCHES 100% TIN, MATTE FINISH.
7. METAL SHIELD: NICKEL PLATING ON COPPER ALLOY.
8. JACK CAVITY CONFORMS TO FCC PART 68 SUBPART. GREEN/YELLOW LED
9. PCB PLATING: HASL
10. STORAGE TEMPERATURE: -50°C TO +125°C
11. COMPLIANCE TO J-STD:
 - A. J-STD-002: SOLDERABILITY AT 245°C DIP AND LOOK TEST
 - B. J-STD-020: LEVEL 1, NO MOISTURE SENSITIVE
 - C. J-STD-075: W2, 270°C MAXIMUM THROUGH WAVE SOLDER



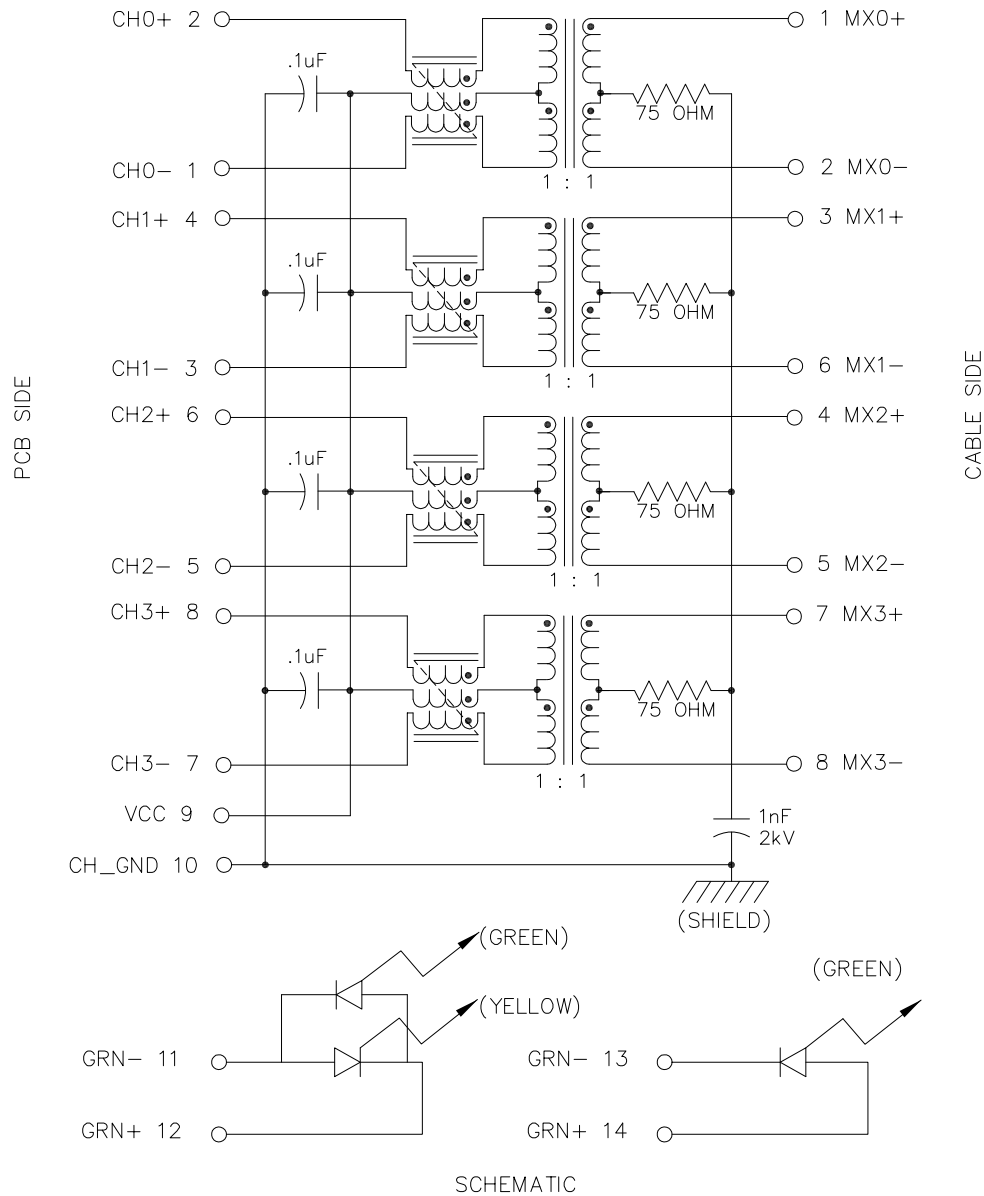
GREEN/YELLOW LED GREEN LED



FINAL OUTLINE

© Copyright, 2017. Pulse Electronics Corp. All rights reserved. Pulse confidential & proprietary. (09/12/17)

| PRODUCT DESCRIPTION | TLA DRAWING | PS DRAWING | SHEET | PART NO. | DATASHEET REV. |
|---------------------------|----------------|---------------|--------|-------------|----------------|
| CONN,RJ45,1GD,1X2,1: 1,TY | JXG0-0129NL-12 | PS-2098.002-K | 1 OF 4 | JXG0-0129NL | B |



ELECTRICAL CHARACTERISTICS AT +25°C UNLESS OTHER SPECIFIED
MEETS IEEE 802.3 SPECIFICATION

| PARAMETER | SPECIFICATIONS | |
|--|--|--|
| OPERATING TEMP | -40°C TO +85°C | |
| URNS RATIO | 1 : 1 ± 2% | |
| POLARITY | PER SCHEMATCH | |
| INSERTION LOSS | 100 KHz | 1-125 MHz |
| | -1.2 dB MAX | -0.2-0.002*f ^{1.4} dB MAX |
| RETURN LOSS, 1000BT (Z OUT = 100 OHM) | .1-40 MHz | 40-100 MHz |
| | -18 dB MIN | -12+20*LOG ₁₀ (f/80 MHz) dB MIN |
| INDUCTANCE (OCL) (MEDIA SIDE, -40°C~85°C) | 350 uH MIN (MEASURED AT 100 KHz, 100 mVRMS AND WITH 8 mA DC BIAS) | |
| CROSSTALK, ADJACENT CHANNELS | 1 MHz | 10-100 MHz |
| | -40 dB MIN | -40+10*LOG ₁₀ (f/10) dB MIN |
| COMMON MODE REJECTION RATIO | 2 MHz | 30-200 MHz |
| | -50 dB MIN | -15+20*LOG ₁₀ (f/200) dB MIN |
| INPUT - OUTPUT ISOLATION | 2250 VDC FOR 60 SECONDS | |

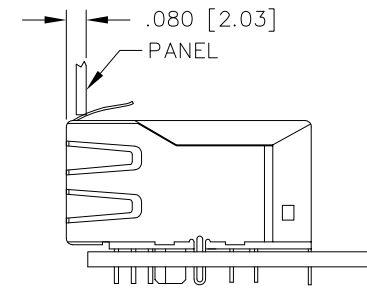
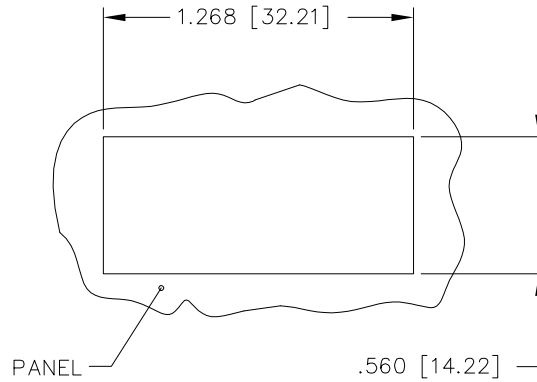
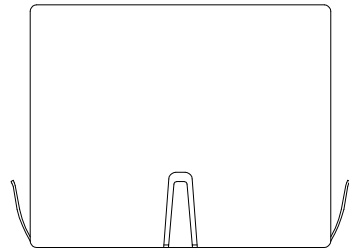
NOTE: f IS FREQUENCY IN MHZ.

| EMMITTED COLOR | GREEN | YELLOW |
|-----------------------------------|------------------|------------------|
| WAVELENGTH (nm) | 568 nm | 585 nm |
| BRIGHTNESS - TYP (mCD) If (mA) | 8.5 20 | 6 20 |
| VIEWING ANGLE | 100° | 100° |
| POWER DISSIPATION (Pd) | 100 mW MAX | 100 mW MAX |
| FORWARD VOLTAGE (Vr) (if = 20mA) | 2.2 TO 2.6 VOLTS | 2.1 TO 2.6 VOLTS |

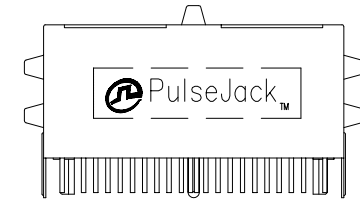
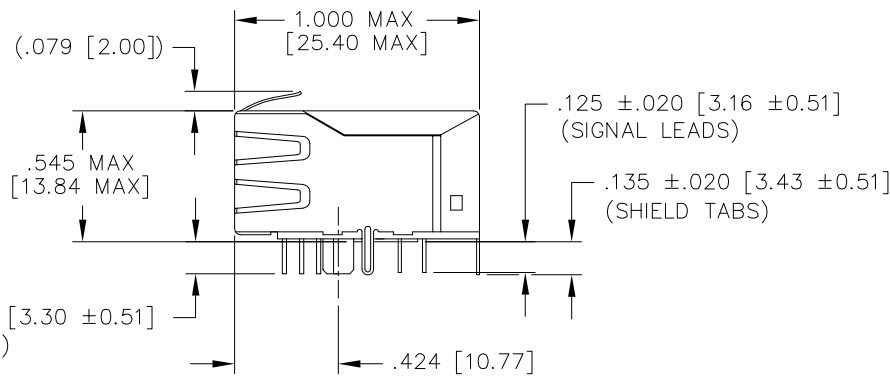
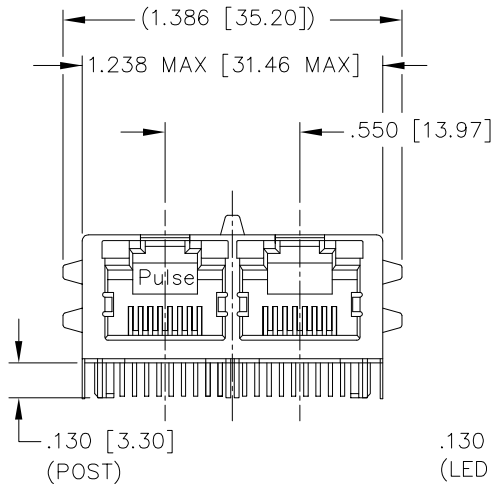
NOTE: PER VENDOR'S SPECIFICATION

© Copyright, 2017. Pulse Electronics Corp. All rights reserved. Pulse confidential & proprietary. (09/12/17)

| PRODUCT DESCRIPTION | TLA DRAWING | PS DRAWING | SHEET | PART NO. | DATASHEET REV. |
|---------------------------|----------------|---------------|--------|-------------|----------------|
| CONN,RJ45,1GD,1X2,1: 1,TY | JXG0-0129NL-12 | PS-2098.002-K | 2 OF 4 | JXG0-0129NL | B |



SUGGESTED PANEL CUTOUT

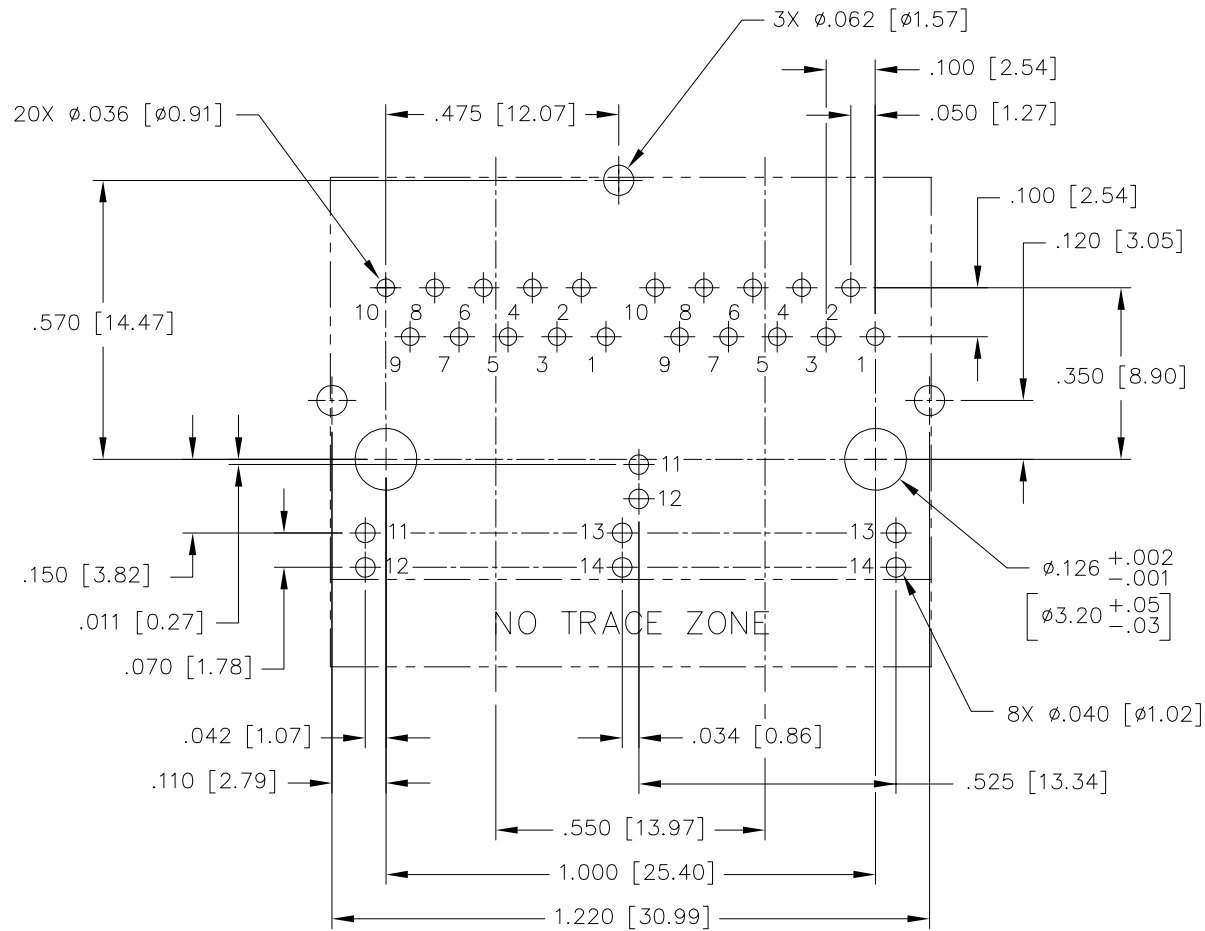


DIMENSIONS ARE IN INCHES [MILLIMETERS] WITH THE FOLLOWING TOLERANCES: [MILLIMETERS] ARE FOR REFERENCE ONLY.

.XXX= ±.010 [±0.25]

© Copyright, 2017. Pulse Electronics Corp. All rights reserved. Pulse confidential & proprietary. (09/12/17)

| PRODUCT DESCRIPTION | TLA DRAWING | PS DRAWING | SHEET | PART NO. | DATASHEET REV. |
|--------------------------|----------------|---------------|--------|-------------|----------------|
| CONN,RJ45,1GD,1X2,1:1,TY | JXG0-0129NL-12 | PS-2098.002-K | 3 OF 4 | JXG0-0129NL | B |



SUGGESTED FOOTPRINT (COMPONENT SIDE SHOWN)

DIMENSIONS ARE IN INCHES [MILLIMETERS] WITH THE FOLLOWING TOLERANCES: [MILLIMETERS] ARE FOR REFERENCE ONLY.
.XXX= ±.003 [±0.08]

© Copyright, 2017. Pulse Electronics Corp. All rights reserved. Pulse confidential & proprietary. (09/12/17)

| PRODUCT DESCRIPTION | TLA DRAWING | PS DRAWING | SHEET | PART NO. | DATASHEET REV. |
|---------------------------|----------------|---------------|--------|-------------|----------------|
| CONN,RJ45,1GD,1X2,1: 1,TY | JXG0-0129NL-12 | PS-2098.002-K | 4 OF 4 | JXG0-0129NL | B |