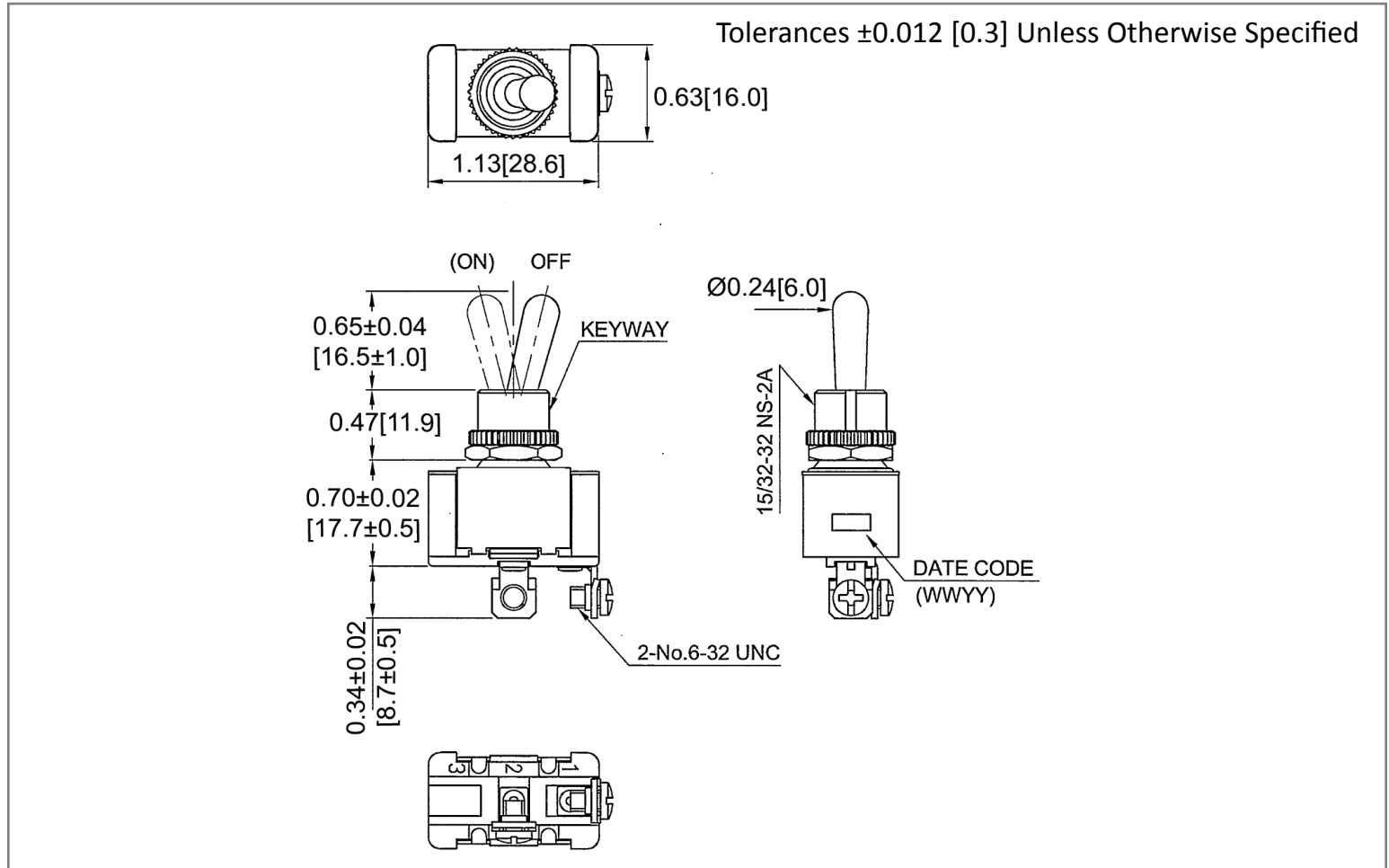
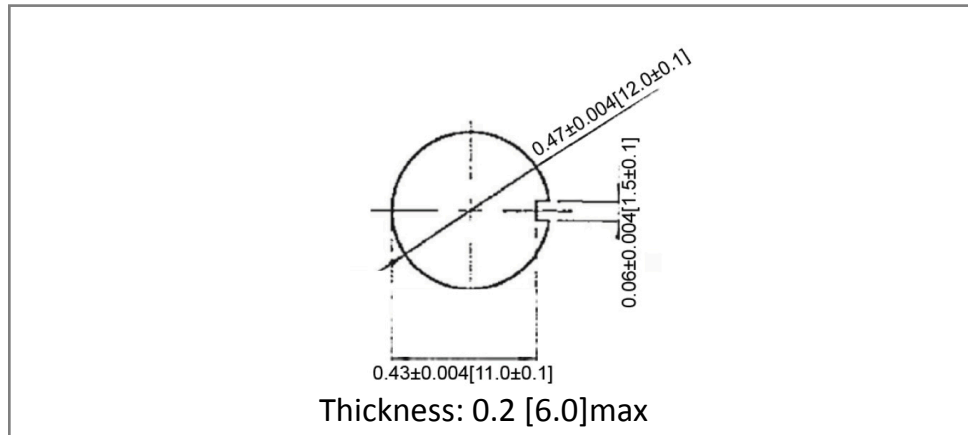


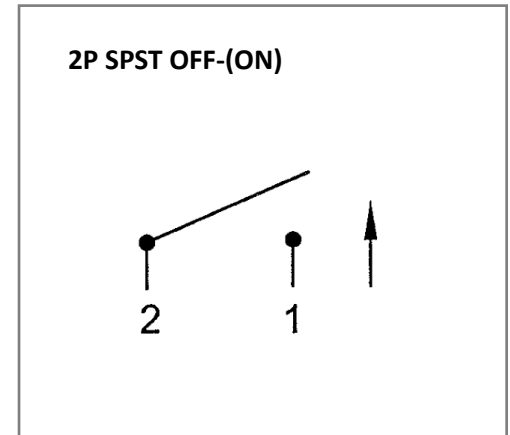
Mechanical Dimensions: Inches [mm]



Mounting Hole



Circuit Diagram



Electrical Specifications

| | |
|-----------------------|----------------------|
| Rating | 21A 14V DC |
| Contact Resistance | 50m ohm Max |
| Insulation Resistance | DC 500V 100M ohm Min |
| Dielectric Strength | AC 1500V 1 minute |
| Operation Temperature | -20°C ~ 85°C |

Material Specifications

| | |
|-----------------|-------------------|
| Operation Force | 1100gf ± 400 gf |
| | 1 knurl nut assy |
| | 1 hex nut assy |
| | 1 Internal O-Ring |

| Rev | Date of issue | Revision Notes | Designed | Approved |
|-----|---------------|-----------------|----------|----------|
| A | 02-18-2019 | Initial Drawing | RC | OF |