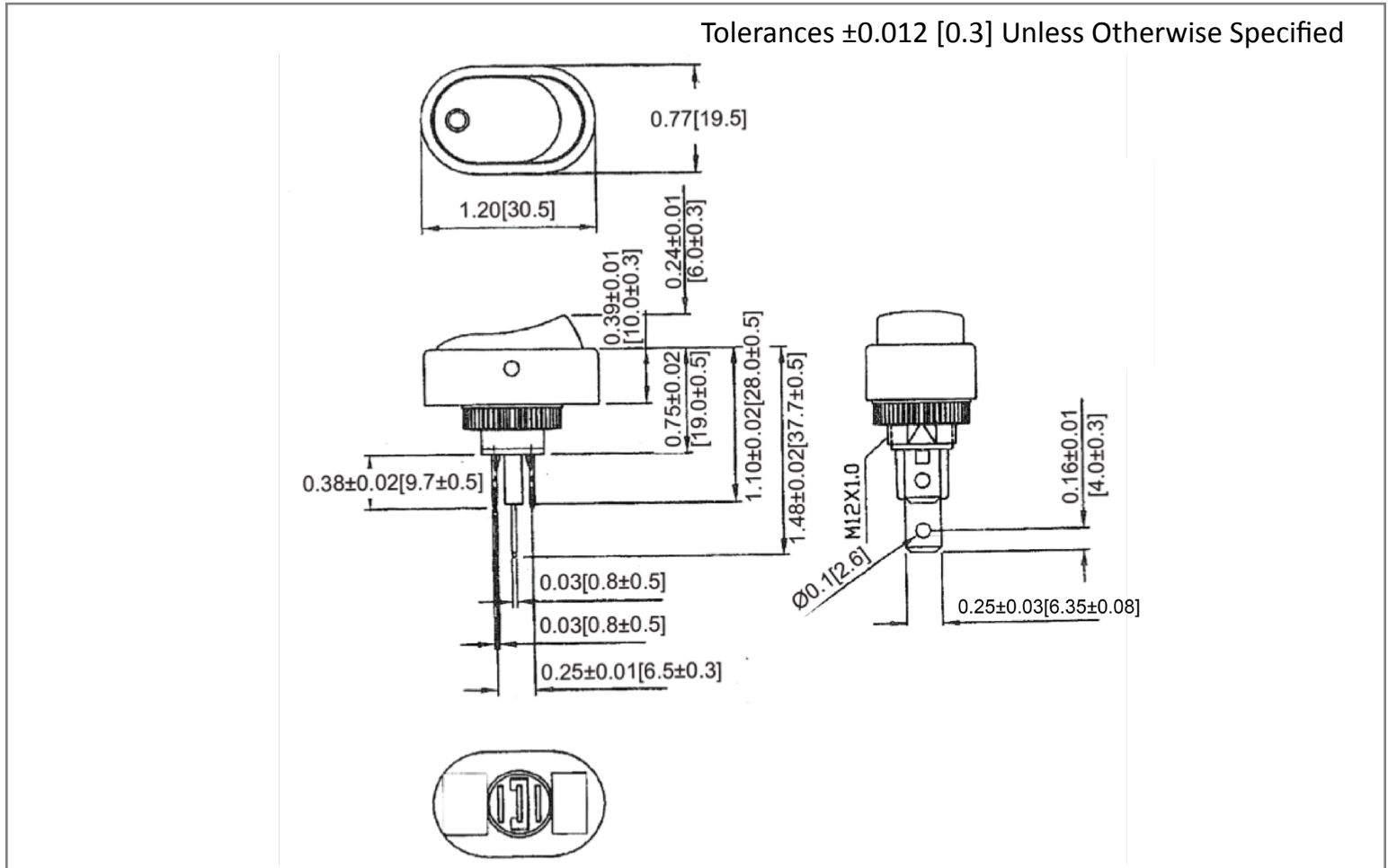
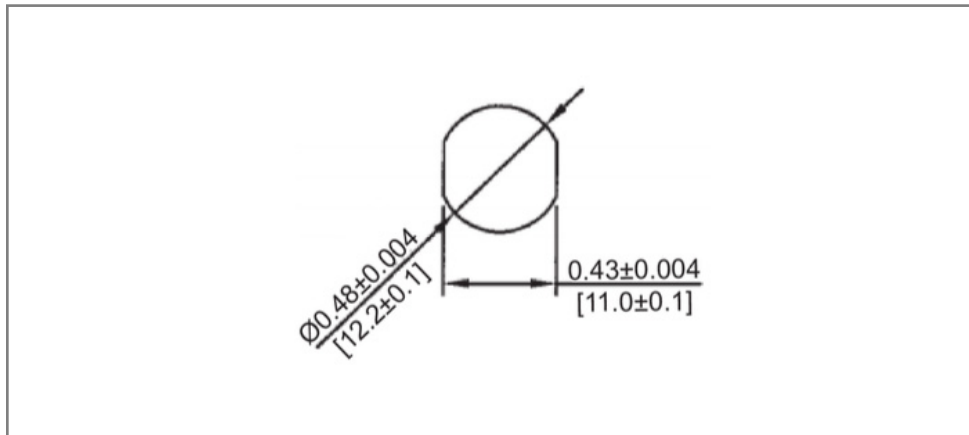


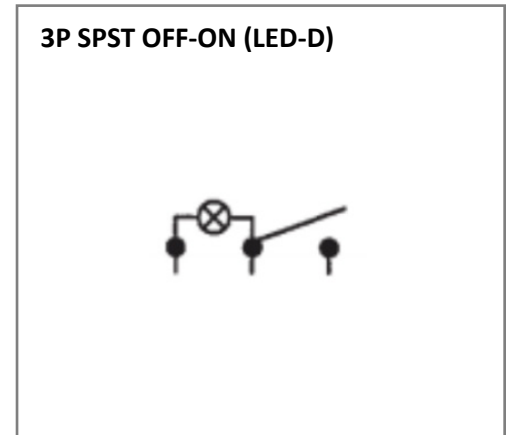
**Mechanical Dimensions: Inches [mm]**



**Mounting Hole**



**Circuit Diagram**



**Electrical Specifications**

<b>Rating</b>	30A 12V DC	<b>Frame</b>	Black, Nylon 66
<b>Contact Resistance</b>	50m ohm Max	<b>Actuator</b>	Black, Nylon 66
<b>Insulation Resistance</b>	DC 500V 100M ohm Min.	<b>LED</b>	Amber (Dependent)
<b>Dielectric Strength</b>	AC 1500V 1 minute		
<b>Operation Temperature</b>	-25°C~85°C		

Rev	Date of issue	Revision Notes	Designed	Approved
B	09-22-2023	Update Drawing	RC	OF