

PKM4000NH series Fully regulated DC-DC Converters
 Input 36-75 V, Output up to 50 A / 580 W

28701-BMR66910 Rev D September 2017
 © Flex

Key Features

- Industry standard Quarter-brick
 57.9 x 36.8 x 11.4 mm (2.28 x 1.45 x 0.45 inch)
- Telecom standard input range 36-75 Vin
- Deliver up to 580W maximum output power
- Fully tightly regulated output voltage
- High efficiency, typical 96 % at 50% load
- 2250V input to output functional isolation
- 1500V basic insulation
- Wide operating temperature range -30°C to 90°C
- Input overvoltage suppression
- Soft-start for handling of high capacitance loads
- More than 3.34 million hours MTBF



General Characteristics

- Optional baseplate
- Optional single output pins
- Hiccup OCP, OTP, OVP and under voltage lockout

Safety Approvals



Design for Environment



Meets requirements in high-temperature lead-free soldering processes.

Contents

Ordering Information	2
General Information	2
Safety Specification	3
Absolute Maximum Ratings	4
Electrical Specification	
11.6 V, 50 A / 580 W	PKM 4613ANH PI 5
EMC Specification	10
Operating Information	11
Thermal Consideration	14
Connections	16
Mechanical Information	17
Soldering Information	20
Delivery Information	20
Product Qualification Specification	21

PKM4000NH series Fully regulated DC-DC Converters Input 36-75 V, Output up to 50 A / 580 W

28701-BMR66910 Rev D September 2017

© Flex

Ordering Information

Product program	Output
PKM 4613ANH PI	11.6 V @ 50 A

Product number and Packaging

PKM 4613ANH n ₁ n ₂ n ₃ n ₄				
Options	n ₁	n ₂	n ₃	n ₄
Mounting option	o			
Baseplate		o		
Power pinning			o	
Lead length				o

Options	Description
n ₁	PI Through hole
n ₂	Open frame*
	HS Baseplate (height 13.8±0.5mm)
n ₃	Double power pins*
	SP Single power pin
n ₄	5.30 mm *
	LA 3.69 mm
	LB 4.57 mm
	/B Tray

For example, the through hole version product with baseplate, single power pin with short lead length is PKM4613ANHPHSSPLA.

* Standard variant (i.e. no option selected).

General Information

Reliability

The failure rate (λ) and mean time between failures (MTBF= 1/ λ) is calculated at max output power and an operating ambient temperature (T_A) of +40°C. Flex uses Telcordia SR-332 Issue 2 Method 1 to calculate the mean steady-state failure rate and standard deviation (σ).

Telcordia SR-332 Issue 2 also provides techniques to estimate the upper confidence levels of failure rates based on the mean and standard deviation.

Mean steady-state failure rate, λ	Std. deviation, σ
299 nFailures/h	36 nFailures/h

MTBF (mean value) for the PKM-NH series = 3.34 Mh.
MTBF at 90% confidence level = 2.89 Mh

Compatibility with RoHS requirements

The products are compatible with the relevant clauses and requirements of the RoHS directive 2011/65/EU and have a maximum concentration value of 0.1% by weight in homogeneous materials for lead, mercury, hexavalent

chromium, PBB and PBDE and of 0.01% by weight in homogeneous materials for cadmium.

Exemptions in the RoHS directive utilized in Flex products are found in the Statement of Compliance document.

Flex fulfills and will continuously fulfill all its obligations under regulation (EC) No 1907/2006 concerning the registration, evaluation, authorization and restriction of chemicals (REACH) as they enter into force and is through product materials declarations preparing for the obligations to communicate information on substances in the products.

Quality Statement

The products are designed and manufactured in an industrial environment where quality systems and methods like ISO 9000, Six Sigma, and SPC are intensively in use to boost the continuous improvements strategy. Infant mortality or early failures in the products are screened out and they are subjected to an ATE-based final test. Conservative design rules, design reviews and product qualifications, plus the high competence of an engaged work force, contribute to the high quality of the products.

Warranty

Warranty period and conditions are defined in Flex General Terms and Conditions of Sale.

Limitation of Liability

Flex does not make any other warranties, expressed or implied including any warranty of merchantability or fitness for a particular purpose (including, but not limited to, use in life support applications, where malfunctions of product can cause injury to a person's health or life).

© Flex 2017

The information and specifications in this technical specification is believed to be correct at the time of publication. However, no liability is accepted for inaccuracies, printing errors or for any consequences thereof. Flex reserves the right to change the contents of this technical specification at any time without prior notice.

PKM4000NH series Fully regulated DC-DC Converters
Input 36-75 V, Output up to 50 A / 580 W

28701-BMR66910 Rev D September 2017

© Flex

Safety Specification

General information

Flex Power DC/DC converters and DC/DC regulators are designed in accordance with the safety standards IEC 62368-1, EN 62368-1 and UL 62368-1 *Audio/video, information and communication technology equipment - Part 1: Safety requirements*

IEC/EN/UL 62368-1 contains requirements to prevent injury or damage due to the following hazards:

- Electrical shock
- Electrically-caused fire
- Injury caused by hazardous substances
- Mechanically-caused injury
- Skin burn
- Radiation-caused injury

On-board DC/DC converters, Power interface modules and DC/DC regulators are defined as component power supplies. As components they cannot fully comply with the provisions of any safety requirements without "conditions of acceptability". Clearance between conductors and between conductive parts of the component power supply and conductors on the board in the final product must meet the applicable safety requirements. Certain conditions of acceptability apply for component power supplies with limited stand-off (see Mechanical Information for further information). It is the responsibility of the installer to ensure that the final product housing these components complies with the requirements of all applicable safety standards and regulations for the final product.

Component power supplies for general use shall comply with the requirements in IEC/EN/UL 62368-1. Product related standards, e.g. IEEE 802.3af *Power over Ethernet*, and ETS-300132-2 *Power interface at the input to telecom equipment, operated by direct current (dc)* are based on IEC/EN/UL 60950-1 with regards to safety.

Flex Power DC/DC converters, Power interface modules and DC/DC regulators are UL 62368-1 recognized and certified in accordance with EN 62368-1. The flammability rating for all construction parts of the products meet requirements for V-0 class material according to IEC 60695-11-10, *Fire hazard testing, test flames – 50 W* horizontal and vertical flame test methods.

Isolated DC/DC converters

The product may provide basic or functional insulation between input and output according to IEC/EN/UL 62368-1 (see Safety Certificate), different conditions shall be met if the output of a basic or a functional insulated product shall be considered as ES1 energy source.

For basic insulated products (see Safety Certificate) the output is considered as ES1 energy source if one of the following conditions is met:

- The input source provides supplementary or double or reinforced insulation from the AC mains according to IEC/EN/UL 62368-1.
- The input source provides functional or basic insulation from the AC mains and the product's output is reliably connected to protective earth according to IEC/EN/UL 62368-1.

For functional insulated products (see Safety Certificate) the output is considered as ES1 energy source if one of the following conditions is met:

- The input source provides double or reinforced insulation from the AC mains according to IEC/EN/UL 62368-1.
- The input source provides basic or supplementary insulation from the AC mains and the product's output is reliably connected to protective earth according to IEC/EN/UL 62368-1.
- The input source is reliably connected to protective earth and provides basic or supplementary insulation according to IEC/EN/UL 62368-1 and the maximum input source voltage is 60 Vdc.

Galvanic isolation between input and output is verified in an electric strength test and the isolation voltage (V_{iso}) meets the voltage strength requirement for basic insulation according to IEC/EN/UL 62368-1.

It is recommended to use a slow blow fuse at the input of each DC/DC converter. If an input filter is used in the circuit the fuse should be placed in front of the input filter. In the rare event of a component problem that imposes a short circuit on the input source, this fuse will provide the following functions:

- Isolate the fault from the input power source so as not to affect the operation of other parts of the system
- Protect the distribution wiring from excessive current and power loss thus preventing hazardous overheating

PKM4000NH series Fully regulated DC-DC Converters
 Input 36-75 V, Output up to 50 A / 580 W

28701-BMR66910 Rev D September 2017
 © Flex

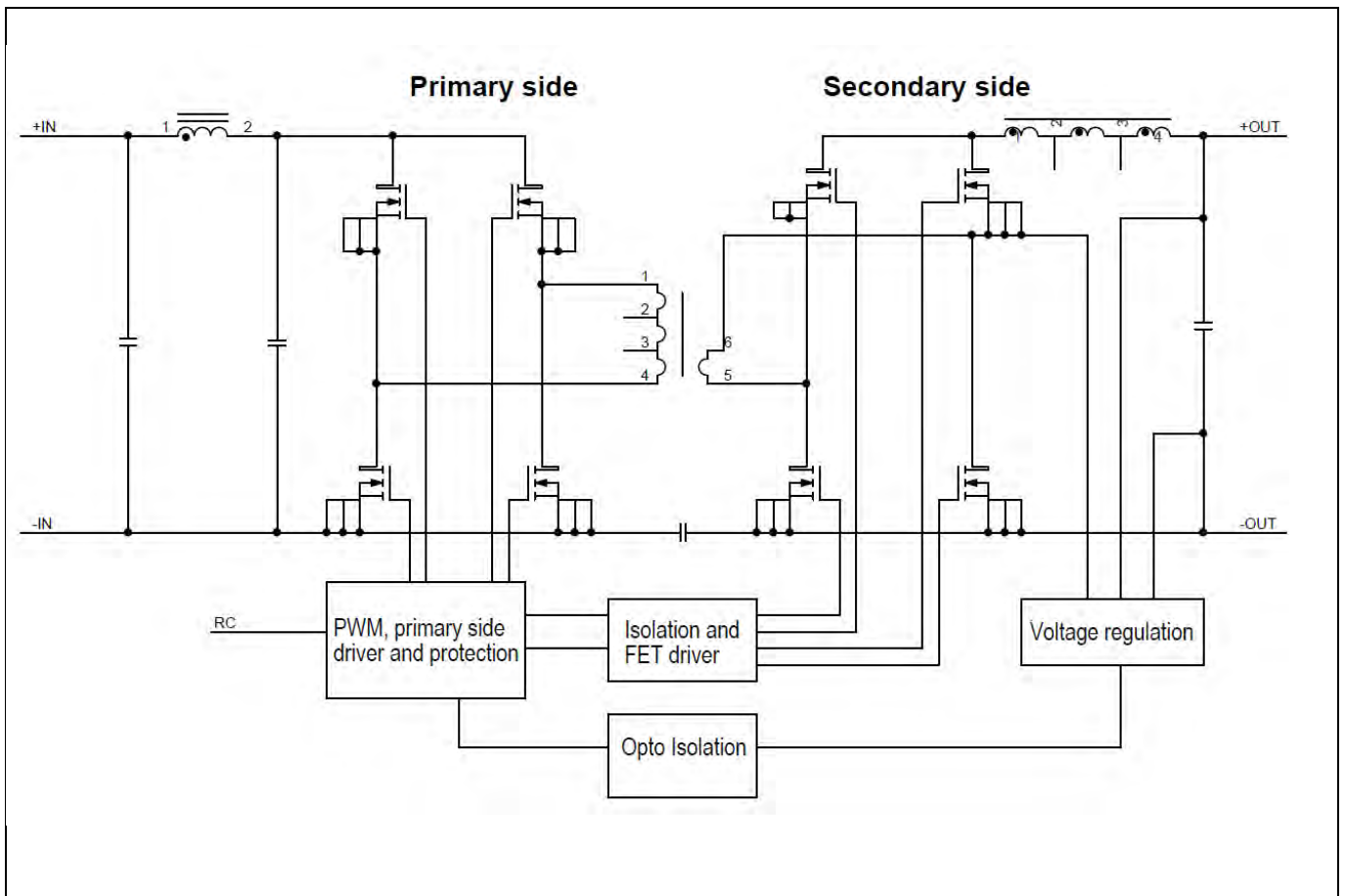
Absolute Maximum Ratings

Characteristics		min	typ	max	Unit
T _{P1}	Operating Temperature (see Thermal Consideration section)	-40		+125	°C
T _S	Storage temperature	-55		+125	°C
V _I	Input voltage	-0.5		+80	V
C _{out}	Output capacitance	1000, See Note 1			µF
C _{out_ESR}	Output capacitance ESR			30	mOhm
V _{iso}	Isolation voltage (input to output qualification test voltage)			2250	Vdc
V _{iso}	Isolation voltage (input to baseplate qualification test voltage)			1500	Vdc
V _{iso}	Isolation voltage (baseplate to output qualification test voltage)			750	Vdc
V _{tr}	Input voltage transient, according to ETSI EN 300 132-2 and Telcordia GR-1089-CORE			100	V
V _{RC}	Remote Control pin voltage (see Operating Information section)	Positive logic option		6	V
		Negative logic option	-0.5	6	V

Stress in excess of Absolute Maximum Ratings may cause permanent damage. Absolute Maximum Ratings, sometimes referred to as no destruction limits, are normally tested with one parameter at a time exceeding the limits in the Electrical Specification. If exposed to stress above these limits, function and performance may degrade in an unspecified manner.

Note 1: This is an absolute minimum value, the output capacitance must be at least 1000 µF. The module is designed to operate with a minimum output capacitance. Operation with lower capacitance than the one specified can lead to damage of the module.

Fundamental Circuit Diagram



PKM4000NH series Fully regulated DC-DC Converters
 Input 36-75 V, Output up to 50 A / 580 W

28701-BMR66910 Rev D September 2017

© Flex

Electrical Specification
11.6 V, 50 A / 580 W
PKM 4613ANH PI
 $T_{P1} = -30$ to $+90^{\circ}\text{C}$, $V_I = 38.5$ to 75 V, unless otherwise specified under Conditions.

 Typical values given at: $T_{P1} = +25^{\circ}\text{C}$, $V_I = 53$ V max I_O , unless otherwise specified under Conditions.

 Additional $C_{in} = 470$ μF , $C_{out} = 2820$ μF , ceramic capacitors. See Operating Information section for selection of capacitor types.

Characteristics		Conditions	min	typ	max	Unit
V_I	Input voltage range		36		75	V
V_{loff}	Turn-off input voltage	Decreasing input voltage	29	31	33	V
V_{lon}	Turn-on input voltage	Increasing input voltage	32	34	36	V
C_I	Internal input capacitance	$V_I = 53$ V		15		μF
P_O	Output power		0		580	W
η	Efficiency	50% of max I_O		96.1		%
		max I_O		96.1		
		50% of max I_O , $V_I = 48$ V		96.4		
		max I_O , $V_I = 48$ V		96.2		
P_d	Power Dissipation	max I_O		23.3	32	W
P_{ii}	Input idling power	$I_O = 0$ A, $V_I = 53$ V		5.9		W
P_{RC}	Input standby power	$V_I = 53$ V (turned off with RC)		0.3		W
f_s	Switching frequency (Ripple f_s)	0-100 % of max I_O	375	400	425	kHz

V_{Oi}	Output voltage initial setting	$T_{P1} = +25^{\circ}\text{C}$, $V_I = 53$ V, $I_O = 50$ A		11.6		V
	Output voltage tolerance band	0-100% of max I_O , $V_I = 38.5$ -75V	11.4		12	V
		0-100% of max I_O , $V_I = 36$ -75V	10.6		12	V
	Idling voltage	$I_O = 0$ A		11.6		V
	Line regulation	max I_O		15	50	mV
	Load regulation	$V_I = 53$ V, 0-100% of max I_O		3	15	mV
V_{tr}	Load transient voltage deviation	$V_I = 53$ V, Load step 25-75-25% of max I_O , $di/dt = 1$ A/ μs , See Note 2		± 110	200	mV
t_{tr}	Load transient recovery time			0	50	μs
t_r	Ramp-up time (from 10-90% of V_{Oi})			4	10	ms
t_s	Start-up time (from V_I connection to 90% of V_{Oi})	0-100% of max I_O		6	12	ms
t_f	V_I shut-down fall time (from V_I off to 10% of V_O)	max I_O		1.3		ms
		$I_O = 0$ A		200		s
t_{RC}	RC start-up time	max I_O		5		ms
	RC shut-down fall time (from RC off to 10% of V_O)	max I_O		1.6		ms
		$I_O = 0$ A		200		s
I_O	Output current		0		50	A
I_{lim}	Current limit threshold	$T_{P1} < \max T_{P1}$		65		A
I_{sc}	Short circuit current	$T_{P1} = 25^{\circ}\text{C}$		7		A
C_{out}	Recommended Capacitive Load, See Note 3	$T_{P1} = -30^{\circ}\text{C} - +90^{\circ}\text{C}$	2900		15000	μF
C_{out_ESR}	Recommended ESR, See Note 4				30	m Ω
V_{Oac}	Output ripple & noise	See ripple & noise section, V_{Oi}		170	350	mVp-p
OVP _{in}	Input Overvoltage Protection	0-100% of max I_O	100	105		V
OVP	Over voltage protection			14.5		V
RC	Sink current	See operating information	0.5			mA
	Trigger level	See operating information	1	2		V
	Response time		0.1		0.5	ms

 Note 2: 10x47 μF + 83x10 μF + 30x22 μF ceramic, 2x47 μF POS-CAP and 16x270 μF polymer capacitors on the output.

Note 3: See graph "Maximum Output Capacitance vs Input Voltage"

Note 4: ESR is highly temperature dependent for some types of capacitors e.g. aluminum electrolyte capacitors will freeze in cold environment.

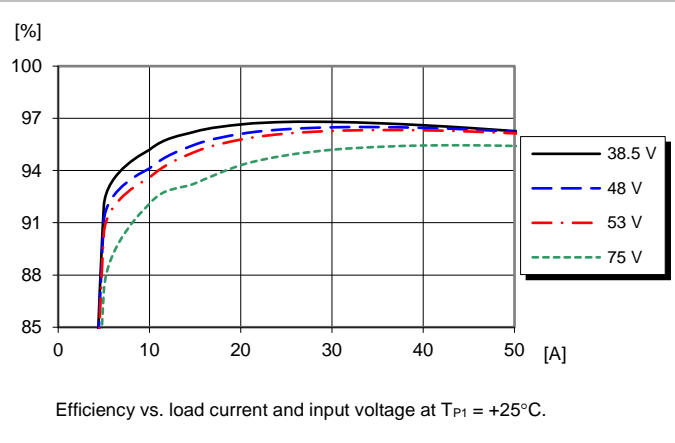
PKM4000NH series Fully regulated DC-DC Converters
 Input 36-75 V, Output up to 50 A / 580 W

28701-BMR66910 Rev D September 2017
 © Flex

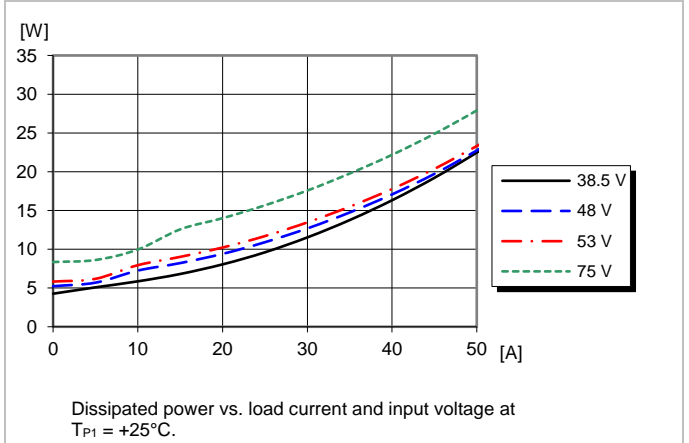
Typical Characteristics
11.6 V, 50 A / 580 W

PKM 4613ANH PI

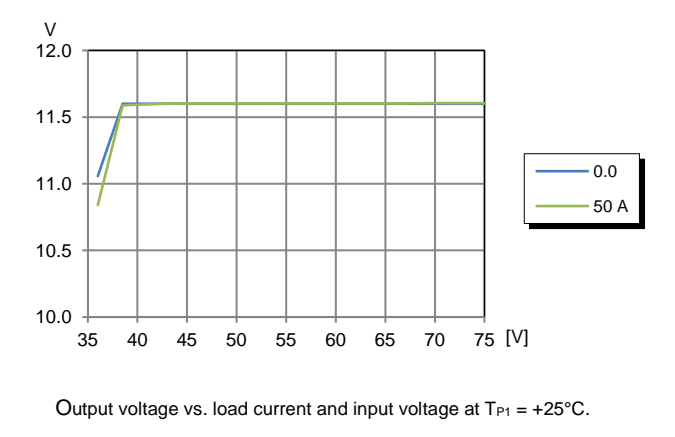
Efficiency



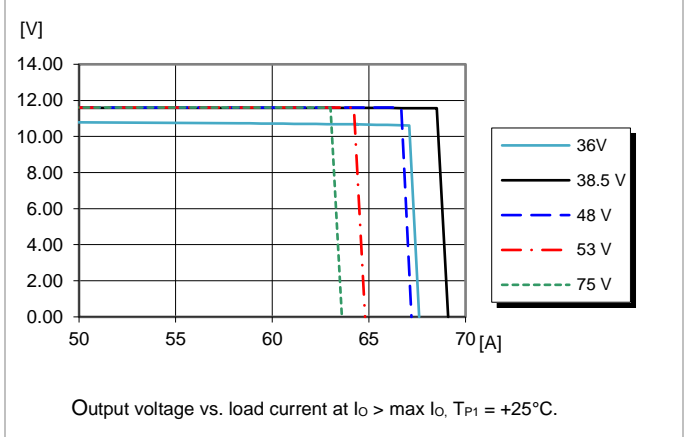
Power Dissipation



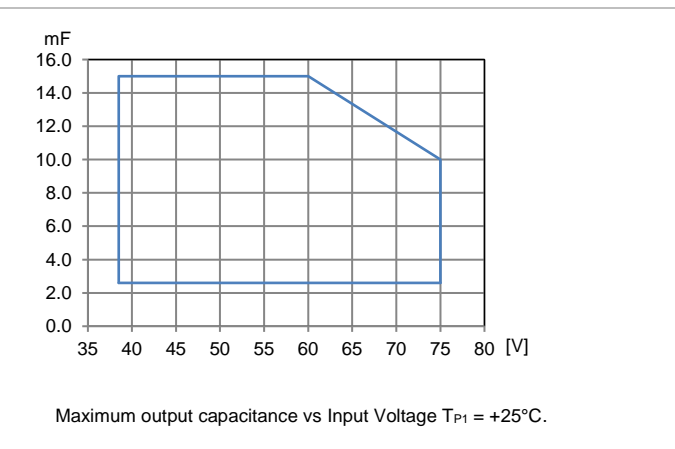
Output Characteristics



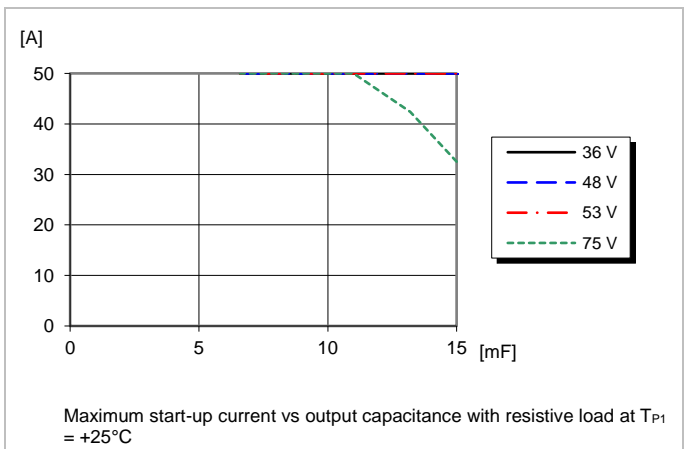
Current Limit Characteristics



Maximum Output Capacitance vs Input Voltage



Maximum start-up current vs. Output capacitance



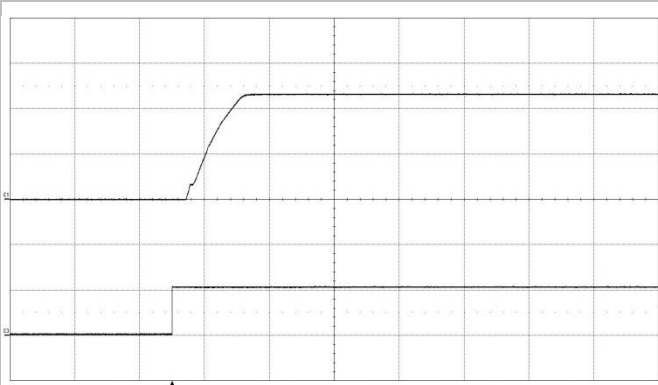
PKM4000NH series Fully regulated DC-DC Converters
 Input 36-75 V, Output up to 50 A / 580 W

28701-BMR66910 Rev D September 2017
 © Flex

Typical Characteristics 11.6 V, 50 A / 580 W

PKM 4613ANH PI

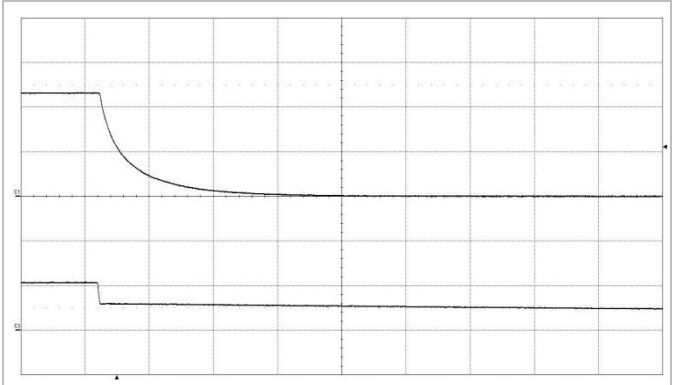
Start-up



Start-up enabled by connecting V_I at:
 $T_{P1} = +25^\circ\text{C}$, $V_I = 53\text{ V}$,
 $I_O = 50\text{ A}$ resistive load.

Top trace: output voltage (5 V/div.).
 Bottom trace: input voltage (50 V/div.).
 Time scale: (5 ms/div.).

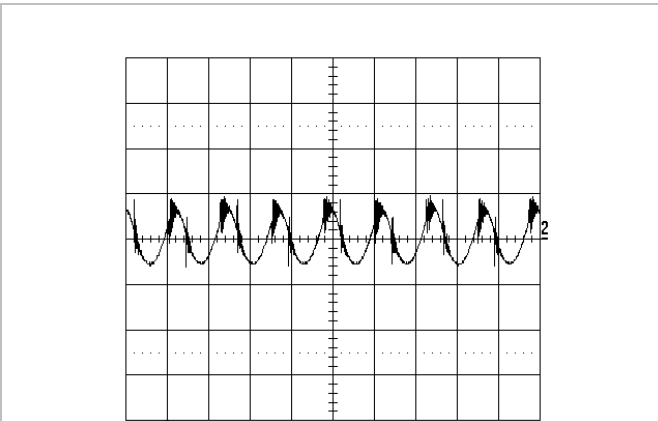
Shut-down



Shut-down enabled by disconnecting V_I at:
 $T_{P1} = +25^\circ\text{C}$, $V_I = 53\text{ V}$,
 $I_O = 50\text{ A}$ resistive load.

Top trace: output voltage (5 V/div.).
 Bottom trace: input voltage (50 V/div.).
 Time scale: (1 ms/div.).

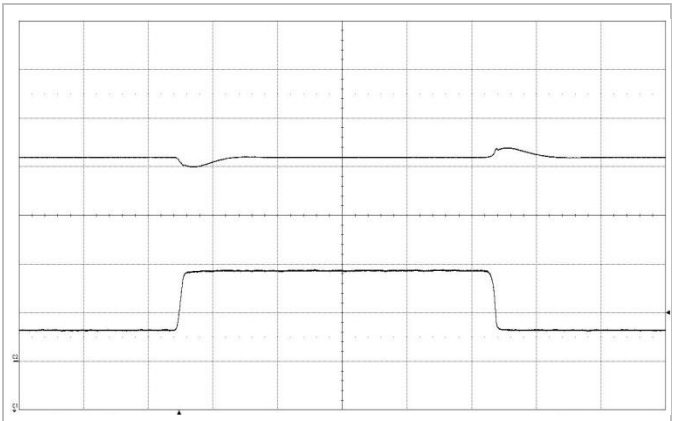
Output Ripple & Noise



Output voltage ripple at:
 $T_{P1} = +25^\circ\text{C}$, $V_I = 53\text{ V}$, $C_{out} = 2.82\text{ mF}$,
 $I_O = 50\text{ A}$ resistive load.

Trace: output voltage (100 mV/div.).
 Time scale: (2 μs /div.).

Output Load Transient Response



Output voltage response to load current step-
 change (12.5-37.5-12.5 A) at:
 $T_{P1} = +25^\circ\text{C}$, $V_I = 53\text{ V}$, $C_{out} = 5.94\text{ mF}$

Top trace: output voltage (500 mV/div.).
 Bottom trace: load current (20 A/div.).
 Time scale: (0.2 ms/div.).

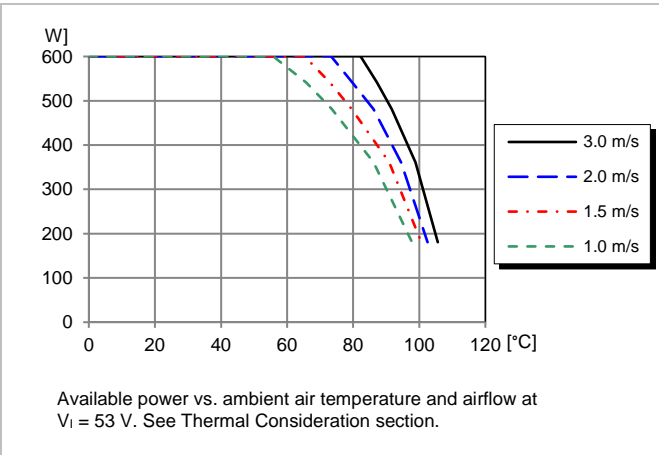
PKM4000NH series Fully regulated DC-DC Converters
 Input 36-75 V, Output up to 50 A / 580 W

28701-BMR66910 Rev D September 2017
 © Flex

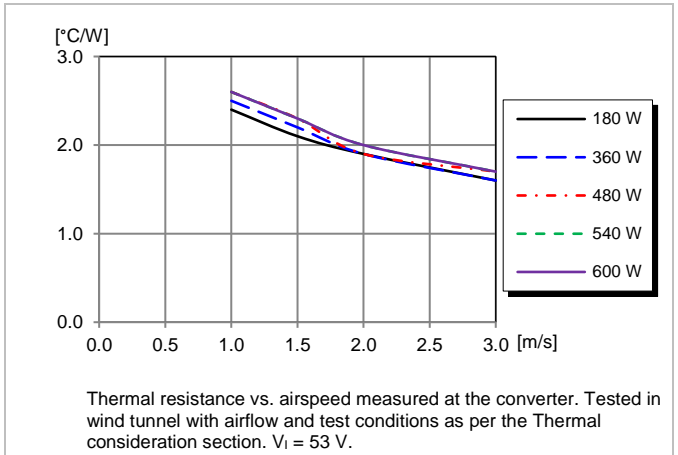
Typical Characteristics
11.6 V, 50 A / 580 W

PKM 4613ANH PI

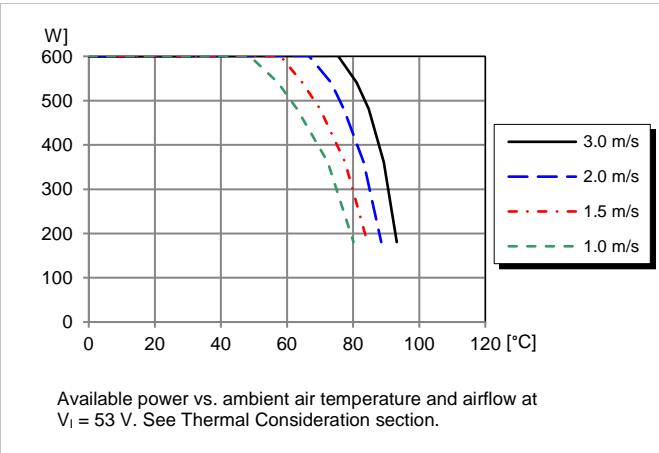
Output Power Derating – Single pin and base plate (PKM4613 ANH PI HS SP)



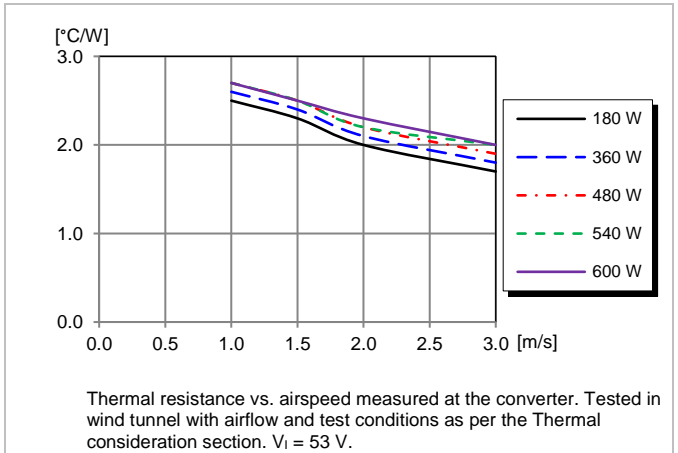
Thermal Resistance – Single pin and base plate (PKM4613 ANH PI HS SP)



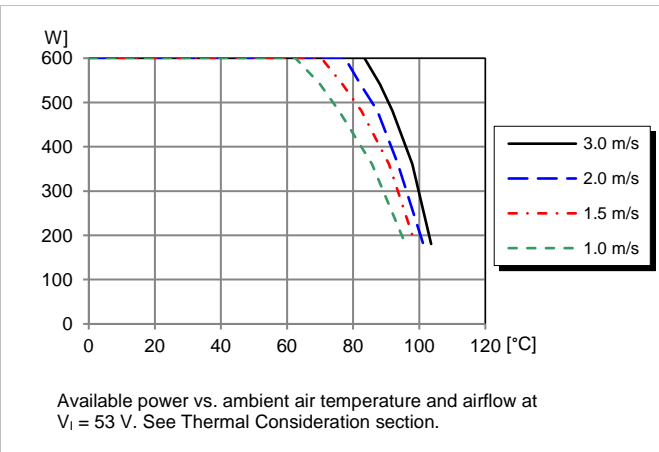
Output Power Derating – Dual pin open frame (PKM4613 ANH PI)



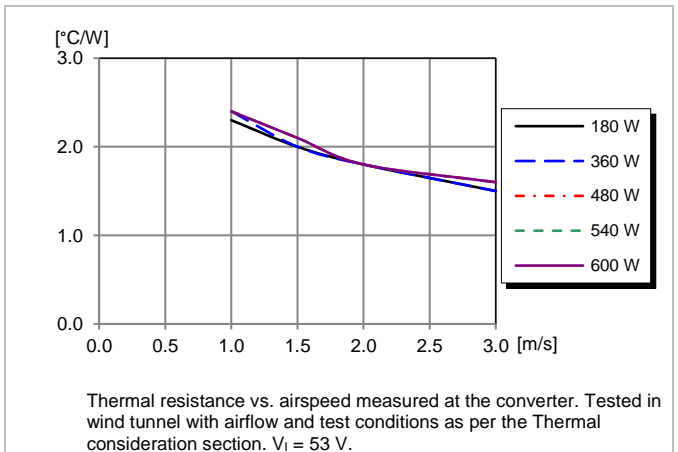
Thermal Resistance – Dual pin open frame (PKM4613 ANH PI)



Output Power Derating – Dual pin and base plate (PKM4613 ANH PI)



Thermal Resistance – Dual pin and base plate (PKM4613 ANH PI)

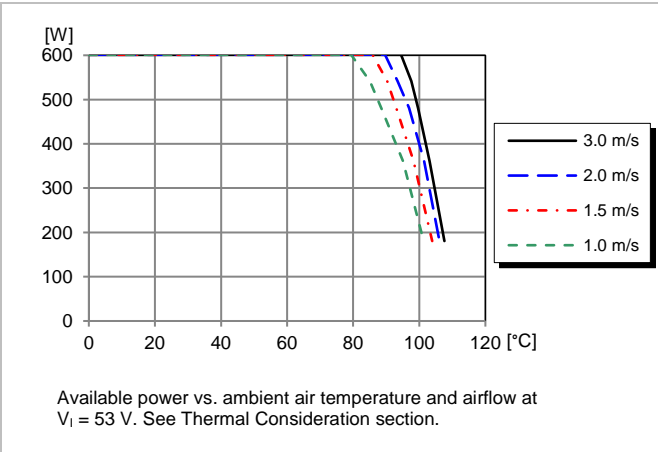


PKM4000NH series Fully regulated DC-DC Converters
 Input 36-75 V, Output up to 50 A / 580 W

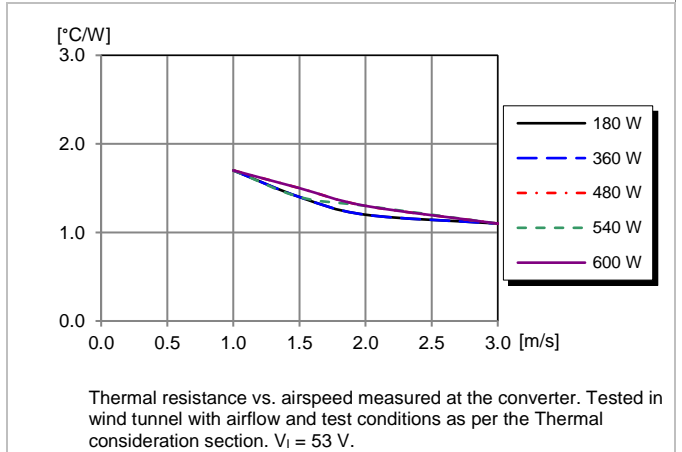
28701-BMR66910 Rev D September 2017

© Flex

Output Power Derating – Dual pin, baseplate and 1/2" heat sink (PKM4613 ANH PI)



Thermal Resistance – Dual pin, baseplate and 1/2" heat sink (PKM4613 ANH PI)



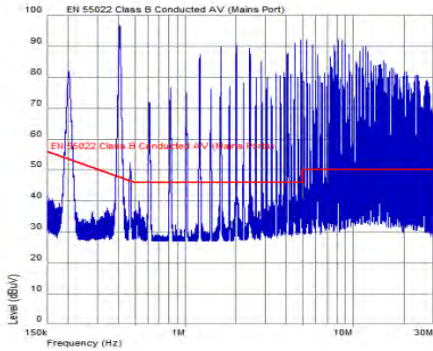
PKM4000NH series Fully regulated DC-DC Converters
 Input 36-75 V, Output up to 50 A / 580 W

28701-BMR66910 Rev D September 2017
 © Flex

EMC Specification

Conducted EMI measured according to EN55022, CISPR 22 and FCC part 15J (see test set-up). See Design Note 009 for further information. The fundamental ripple frequency is 400 kHz at $V_I = 53 V$ and max I_O .

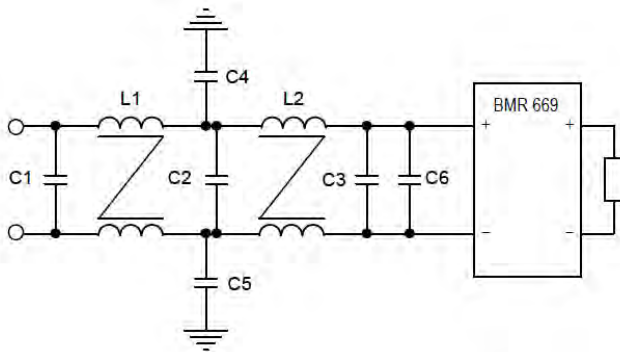
Conducted EMI Input terminal value (typ)



EMI without filter

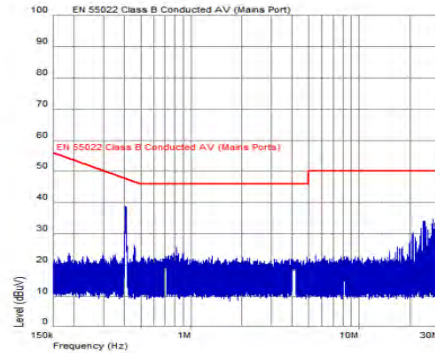
Optional external filter for class B

Suggested external input filter in order to meet class B in EN 55022, CISPR 22 and FCC part 15J.

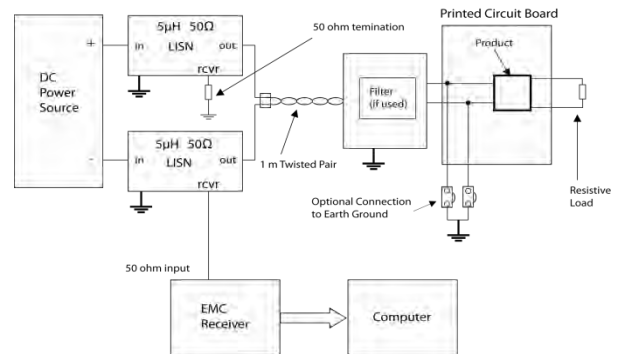


Filter components:

- C1, C2, = 5 μF
- C3 = 15 μF 100V; KRM55WR72A156MH01K (Murata)
- C6 = 470 μF 100 V; UPJ2A471MHD (Nichicon)
- C4, C5 = 20 nF, 1500V
- L1, L2 = 0.47mH



EMI with filter



Test set-up

Layout recommendations

The radiated EMI performance of the product will depend on the PCB layout and ground layer design. It is also important to consider the stand-off of the product. If a ground layer is used, it should be connected to the output of the product and the equipment ground or chassis.

A ground layer will increase the stray capacitance in the PCB and improve the high frequency EMC performance.

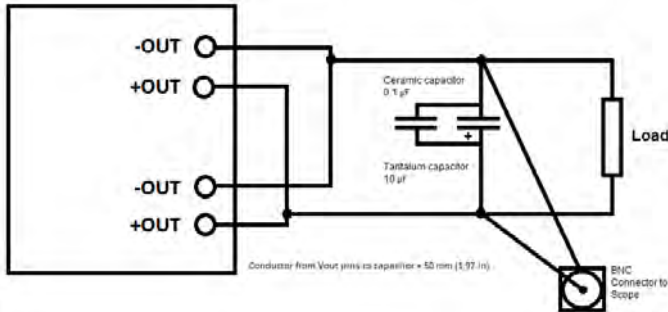
PKM4000NH series Fully regulated DC-DC Converters
 Input 36-75 V, Output up to 50 A / 580 W

28701-BMR66910 Rev D September 2017

© Flex

Output ripple and noise

Output ripple and noise measured according to figure below.
 See Design Note 022 for detailed information.



Output ripple and noise test setup

Operating information

Input Voltage

The input voltage range 36 to 75 Vdc meets the requirements of the European Telecom Standard ETS 300 132-2 for normal input voltage range in -48 and -60 Vdc systems, -40.5 to -57.0 V and -50.0 to -72 V respectively.

Input transient

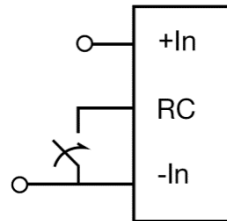
Short duration transient disturbances can occur on the DC distribution and input of the product when a short circuit fault occurs on the equipment side of a protective device (fuse or circuit breaker). The voltage level, duration and energy of the disturbance are dependent on the particular DC distribution network characteristics and can be sufficient to damage the product unless measures are taken to suppress or absorb this energy. The transient voltage can be limited by capacitors and other energy absorbing devices like transient voltage suppression diodes connected across the positive and negative input conductors at a number of strategic points in the distribution network. The end-user must secure that the transient voltage will not exceed the value stated in the Absolute maximum ratings. ETSI TR 100 283 examines the parameters of DC distribution networks and provides guidelines for controlling the transient and reduce its harmful effect.

Turn-on/off Input Voltage

The products monitor the input voltage and will turn on and turn off at predetermined levels that are stated in the Electrical Specification for the specific product.

The minimum hysteresis between turn on and turn off input voltage is 3 V helps avoiding start-up oscillations and repeated restarts that could occur otherwise.

Remote Control (RC)



The products are fitted with a remote control function referenced to the primary negative input connection (-In), with negative and positive logic options available. The RC function allows the product to be turned on/off by an external device like a semiconductor, or a mechanical switch placed close to the product. The RC pin has an internal pull up resistor of 10 kΩ to +5 V. The threshold level has a hysteresis and the function is designed to be robust to noise.

The external device must provide a minimum required sink current to guarantee a voltage not higher than the maximum voltage on the RC pin (see Electrical characteristics table). When the RC pin is left open, the voltage generated on the RC pin is 5 V.

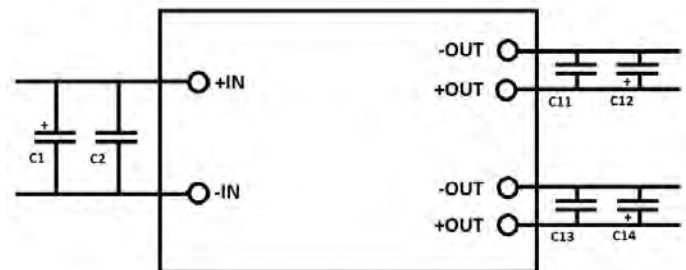
The standard product is provided with “negative logic” RC and will be off until the RC pin is connected to -In. To turn off the product the RC pin should be left open. To power up the product automatically, without the need for control signals or a switch, the RC pin can be wired directly to -In.

The second option is “positive logic” RC, which can be ordered by adding the suffix “P” to the end of the part number. When the RC pin is left open, the product starts up automatically when the input voltage is applied. Turn off is achieved by connecting the RC pin to -In. The product will restart automatically when this connection is opened.

The RC function incorporates a short delay in order to not trigger on glitches. Typically this filter has a settling time of 0.1-0.5 ms. This setup significantly reduces the risk for noise causing the converter to shutdown or power up accidentally.

See Design Note 021 for detailed information.

Input and Output Impedance



Recommended de-coupling setup

C1 = 470 µF 100 V; UPJ2A471MHD from Nichicon or similar.
 C2 = 15 µF 100 V; KRM55WR72A156MH01K from Murata or similar close to the pins.
 C11, C13 = 40x10 µF GRM31CR71C106KA12 from MuRata or similar + 30x22 µF GRM32ER71C226MEA8 from MuRata or similar close to the pins.
 C12, C14 = 8x270 16SVPF270M from Panasonic or similar.

The components used in the recommended de-coupling setup are typical components and could be replaced with components from different manufacturers with similar characteristics. The ceramic capacitors will handle high frequency noise from

PKM4000NH series Fully regulated DC-DC Converters Input 36-75 V, Output up to 50 A / 580 W	28701-BMR66910 Rev D	September 2017
	© Flex	

switching and the polymer will secure de-coupling capacitance if $T_{amb} < -10^{\circ}\text{C}$.

The impedance of both the input source and the load will interact with the impedance of the product.

The output filter of the application board must be designed to meet the criterias of both ESR and capacitance for all T_{amb} temperatures. This means that it may not be sufficient to mount a capacitor rated within the tolerances of minimum capacitance and ESR limits if these values derate due to temperature.

Input Decoupling Capacitors

It is important that the input source has low characteristic impedance over the T_{amb} temperature range otherwise input ringings may occur at start-up or at a high load current surge due to negative resistance. Minimum external capacitance for the input is 470 μF . Modern stacked ceramics provide high capacitance with low ESR over a wide range of temperatures and might be considered.

The input capacitor value may need to be substantially larger than specified minimum capacitance, if the ESR of the impedance increase, to maintain a stable input at low temperatures.

Recommended input capacitors connected in parallel as follows:
470 μF 100 V; UPJ2A471MHD from Nichicon or similar,
15 μF 100 V stacked ceramics; KRM55WR72A156MH01K from Murata or similar.

Output Decoupling Capacitors

When powering loads with significant dynamic current requirements, the voltage regulation at the point of load can be improved by addition of decoupling capacitors close to the load. The most effective technique is to locate very low ESR capacitors as close to the load as possible and, if needed, the bulk of capacitance with low ESR close to the converter output.

Ceramic type of capacitor have also very low ESR and they are cheap in comparison to polymers. Drawbacks are derating due to bias voltage and temperature.

The recommended type of capacitance to place near the converter output connections is a low ESR aluminium polymer in parallel with a ceramic capacitor according to the picture under "Input and Output Impedance". It is recommended that this type of capacitance is used as bulk in high capacitive load application. The aluminium electrolyte works well with the converter but it is important to choose proper temperature classification as this has impact on the expected life span. Cold conditions have great impact on ESR value for the aluminium electrolyte; if cold environment is expected this must be considered and a component with ESR rated for low temperatures is preferred to secure performance.

The ceramic capacitors will handle high-frequency dynamic load changes while the electrolytic capacitors are used to handle low

frequency dynamic load changes. It is equally important to use low resistance and low inductance PCB layouts and cabling.

External decoupling capacitors will become part of the product's control loop. The control loop is optimized for a wide range of external capacitance and the maximum recommended value that could be used without any additional analysis is found in the Electrical Specification.

The end user must secure that the used capacitance is within specified limits described under External Decoupling Capacitors for all ambient temperatures as this highly impact ESR performance and capacitance.

For further information please contact your local Flex Power Modules representative.

Parallel Operation, without Droop Load Share function

Two or more products may be paralleled for redundancy if the total power is less than $(n-1) \cdot P_{O\text{ max}}$. External current sharing circuits must be used.

See Design Note 006 for detailed information.

Over Temperature Protection (OTP)

The products are protected from thermal overload by an internal over temperature shutdown circuit.

When T_{P1} as defined in thermal consideration section exceeds 140°C the product will shut down. The product will make continuous attempts to start (non-latching mode) and resumes normal operation when the temperature has dropped $>10^{\circ}\text{C}$ below the temperature threshold.

Over Voltage Protection (OVP)

The products have output over voltage protection that will shut down the product in over voltage conditions. The product will resume normal operation automatically after removal of the over voltage condition. The OVP setpoint can be found in the Electrical Specification.

The input over voltage protection will stop the switching when the converter reaches the input voltage specified in the Electrical Specification. The converter will resume normal operation when V_{in} drop below the voltage specified in the Electrical Specification.

Over Current Protection (OCP)

The products include current limiting circuitry for protection at continuous overload. It is made up of one real-time (peak) current monitor that constitutes a power limiter and another part which detects longer overloads and enters a delayed hiccup. At output currents in excess of maximum output current ($\text{max } I_o$) the output voltage decrease towards zero and the current increase. If the overload persist the converter will after ~ 1.6 ms enter hiccup, disable the output and then make continous restart attempts after a first timeout period, creating a delayed hiccup. The delay is set to a significantly longer time than the activation time ($\sim 200:1$) in order to create low rms-currents in a fault condition. The timer and OCP setpoint are set in such a way that they do not trigger on capacitive load during start-up,

PKM4000NH series Fully regulated DC-DC Converters

Input 36-75 V, Output up to 50 A / 580 W

28701-BMR66910 Rev D

September 2017

© Flex

or cut-in during input voltage transients. The product will resume normal operation after removal of the overload. The load distribution should be designed for the maximum output OCP current specified in the Electrical Specification.

Pre-bias Start-up

The product has a Pre-bias start up functionality and will not sink current during start up if a Pre-bias source is present at the output terminals.

At shutdown, OVP or OTP, the product will directly shut off the synchronous rectification to avoid reverse current.

The product will not start-up if the output voltage is higher than the OVP-level specified in the Electrical Specification.

Soft Start

The soft start function ramps up the output voltage. The main purpose is to control the charging current to the external output capacitors. The ramp-up is however pretty fast so there is a significant inrush current at the maximum capacitive load. The inrush current could lower the input rail, if the input impedance is too high. See the Input and Output impedance section. If the input voltage drops below 31 V the converter stops and makes new start-attempts when the input voltage returns to 34 V.

Boosted hold-up applications

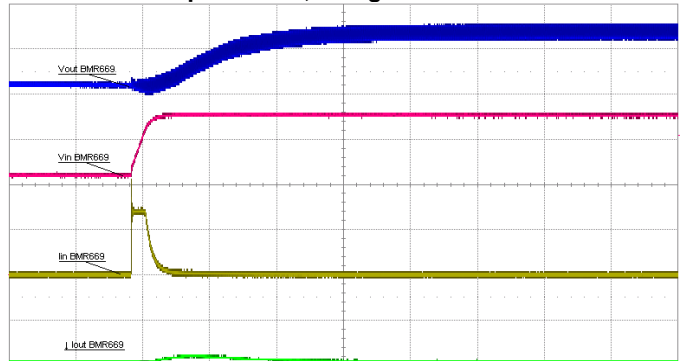
These products support hold up solutions with boosted hold-up capacitors that is hot-swapped to the input voltage rail at power-off of the original feed. Flex offers Power Input Modules, e.g. PIM 4820B and PIM4328PD with such functionality.

The smaller the input capacitor the higher the hot insertion point for the boosted capacitor should be. Use the range as close to the maximum input voltage, 75 V, as possible. A proper setting will result in a smooth output voltage without overshoot. If a glitch is acceptable, it should be kept below the OVP activation level, typically 15 V.

PIM modules from Flex Power Modules shall be set to their highest set point, 44 V, and the boost level shall be adjusted to reach to 75 V in the application. I.e. the level needs to be adjusted to more than 72 V, approximately to 75 V. Consult the technical specification for the PIM-product regarding PIM-setting possibilities and features.

For further information please contact your local Flex Power Modules representative.

Boosted Hold-up function; Idling



Blue line – output voltage 1 V/div

Red line – input voltage change 54-44-72 V, 20 V/div

Yellow line –input current supplied from the HU- capacitor, 50 A/div

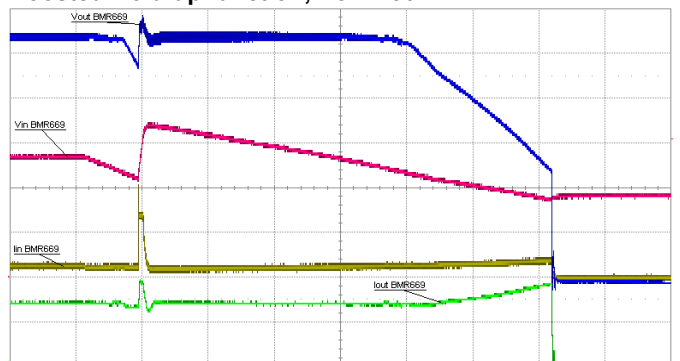
Green line – output current, 50 A/div

2 ms/div

PKM 4613ANH output at boosted hold up voltage step 54-44-72 V Flex evaluation board ROA 128 5151 R1A with HU capacitor 3x470 μ F+3300 μ F with a PIM 4820B PD R3A mounted on used as PIM.

PKM 4613ANH decoupled with minimum recommended input and output capacitance specified in the Electrical Specification.

Boosted Hold-up function; Po = 756 W



Blue line – output voltage peak at 11.3 V, 1 V/div

Red line – input voltage change 54-44-72 V, 20 V/div

Yellow line –input current supplied from the HU- capacitor, 50 A/div

Green line – output current, 50 A/div

2 ms/div

PKM 4613ANH output at boosted hold up voltage step 54-44-72 V Flex evaluation board ROA 128 5151 R1A with HU capacitor 3x470 μ F+3300 μ F with a PIM 4820B PD R3A mounted on used as PIM.

PKM 4613ANH decoupled with minimum recommended input and output capacitance specified in the Electrical Specification.

Flex evaluation board ROA 128 5077 R2A produce a rail with 7 pcs BMR 464 0002/001 R3B in parallel as current sharing an electrical load to represent a 756 W load.

Isolation

The open frame products have 2250 V input to output functional isolation. Leaving the baseplate free-floating means that the 2250 V input to output isolation voltage is kept.

Steady-state the voltage across the isolationbarrier is not higher than the input voltage, maximum 75 V, and the output voltage together.

PKM4000NH series Fully regulated DC-DC Converters Input 36-75 V, Output up to 50 A / 580 W	28701-BMR66910 Rev D	September 2017
	© Flex	

In order to keep the 2250 V functional isolation voltage between the product and the host board the keep away areas for components and traces must be followed according to the Mechanical Information section or the clearance must be increased to at least 1.5 mm or insulated with approved isolation material according to the desired isolation voltage level. The minimum stand-off is 0.5 mm and the corresponding functional isolation voltage is 1500 V. See the Mechanical Information section for more information.

Basic isolation of 1500V according to IEC/EN/UL 60950/1 is provided.

Baseplate grounding

Variants with baseplate have the baseplate floating. The baseplate can be grounded externally via the threaded holes in the baseplate. In the latter case the isolation voltage is reduced and qualified values are stated in the Absolute Maximum Ratings.

Possibility to order variants with the baseplate grounded either to +In or –Out might be added to the program.

Thermal Consideration

General

The products are designed to operate in different thermal environments and sufficient cooling must be provided to ensure reliable operation.

For products mounted on a PCB without a heat sink attached, cooling is achieved mainly by conduction, from the pins to the host board, and convection, which is dependant on the airflow across the product. Increased airflow enhances the cooling of the product. The Output Power Derating graph found in the Typical Characteristics section for each model provides the available output power vs. ambient air temperature and air velocity at 53 Vin.

To enhance the thermal transfer the products are available with a baseplate as well as dual output pins. The products respond well on cooling methods due to its low internal thermal resistance.

Convection cooling

The products power density is up to 405 W/cubic inch leaving a limited area for convection cooling and the heat generated is significant at high load. Just air flow is not sufficient for the product to deliver full power at high ambient temperatures. In the section Typical characteristics, Output Power derating – Different cooling, the benefits of base plate and heat sink is clearly visualized. The absolute best performance can be obtained by using the highest heat sink possible that allows the most air to be forced through and thereby increase cooling.

Conduction cooling

The thermal design is made to ease the transfer of heat from the product via both the input and the output power pins. The optional baseplate can be connected to a cold wall. See the Typical Characteristics section for graphs.

Dual output pins

As well as decreasing the power losses in the pins, dual pins will spread both the current and the heat better on the host board reducing the stress on the solder joints. For backward compability and designs using less than 500 W output power the single pin products can be used with up to 5 °C worse derating.

See Typical Characteristics section for more details.

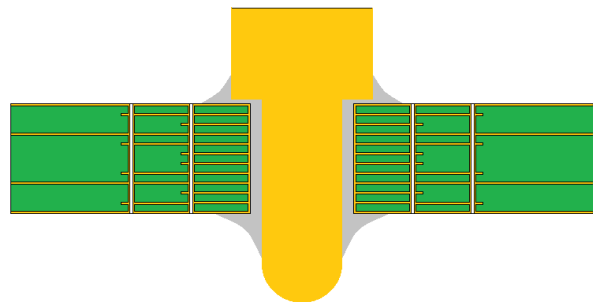
Layout considerations

Recommended host board footprint and plated through hole dimensions are defined by best practices to combine low resistance current/power distribution, standard mounting assembly techniques and relevant tolerances. When deviations in e.g. through plated hole sizes are applicable by end user, alternative techniques as wash away spacers, tailored fixtures or gap pads can be used by manufacturers to secure product form factor and functionality.

Inappropriate assembly techniques can stress the interconnection leads of the module and reduce the thermal coupling between e.g. the module's base plate and cold wall.

Special attention should be paid to the current distribution flow within the host board by appropriate amount of copper layers/ traces/interconnecting vias.

If the pins are connected to a plane in the host board this will become an efficient heat sink and significantly increase the maximum power before maximum temperature is reached. The outer layer on the host board should have a large number of vias close to the outside of the pins' shoulders in order to improve current and heat spreading between the host board and the product. The current and heat bottleneck is often close to the pin and it might be good to use extra PCB layers to connect to the pin and let the vias around the standoff spread the power to the power planes. For further information please contact your local Flex Power Modules representative.



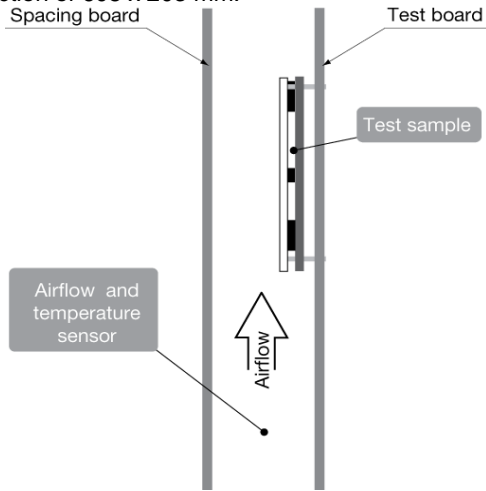
Baseplate

The baseplate itself improves the performance by smoothening out the local hotspots on the converter. The other advantage is that it is an efficient way to dissipate heat from the product. Connected to a heatsink or a coldwall higher power can be delivered at high ambient temperatures. This also opens up for the use of advanced cooling technologies such as heatpipes or liquid cooling. See the Typical Characteristics section for graphs on different cooling and pinning options.

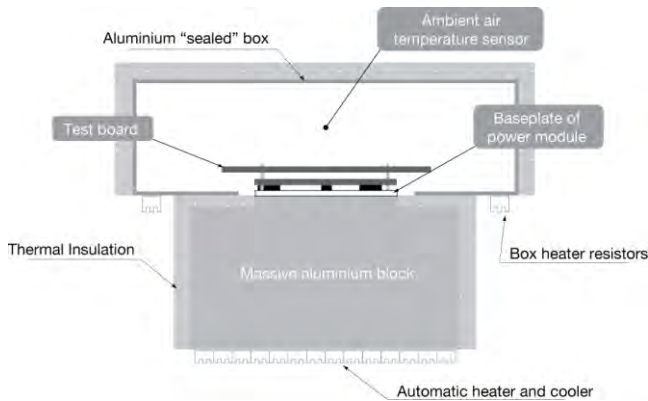
PKM4000NH series Fully regulated DC-DC Converters
 Input 36-75 V, Output up to 50 A / 580 W

28701-BMR66910 Rev D September 2017
 © Flex

The product is tested on a 254 x 254 mm, 35 µm (1 oz), 16-layer test board mounted vertically in a wind tunnel with a cross-section of 608 x 203 mm.



For products with base plate used in a sealed box/cold wall application, cooling is achieved mainly by conduction through the cold wall. The Output Current Derating graphs are found in the Output section for each model. The product is tested in a sealed box test set up with ambient temperatures 85°C at different output power conditions. See Design Note 028 for further details.

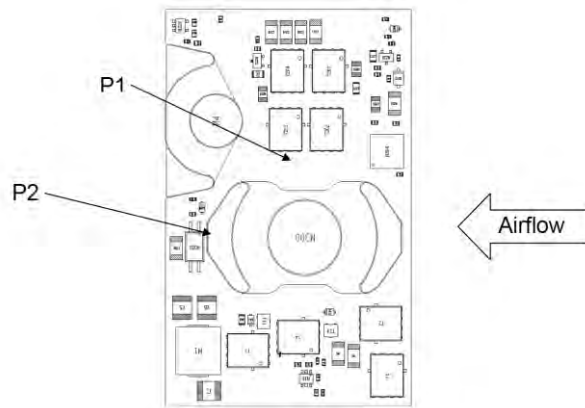


Definition of product operating temperature

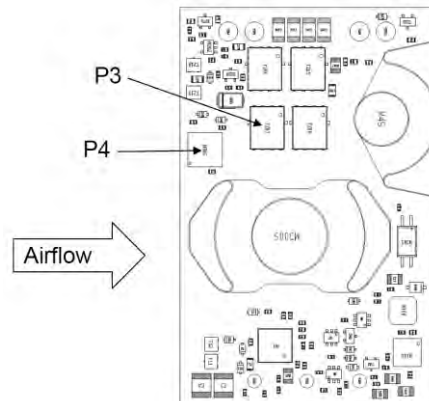
Proper operational conditions are verified by measuring the temperature at positions P1, P2, P3 and P4. The temperature at these positions (T_{P1}, T_{P2}, T_{P3}, T_{P4}) should not exceed the maximum temperatures in the table below. The number of measurement points may vary with different thermal design and topology. Temperatures above maximum T_{P1}, T_{P2}, T_{P3} and T_{P4}, measured at the reference points P1, P2, P3 and P4 are not allowed and may cause permanent damage.

Position	Description	Max Temp.
P1	Pcb prim	T _{P1} =125° C

P2	M300	T _{P2} =125° C
P3	T203	T _{P3} =125° C
P4	N305	T _{P4} =125° C



Open frame reference points



Reference points on a product equipped with a baseplate

Ambient Temperature Calculation

For products with baseplate the maximum allowed ambient temperature can be calculated by using the thermal resistance.

1. The power loss is calculated by using the formula

$$\left(\frac{1}{\eta} - 1\right) * \text{output power} = \text{power losses (Pd)}$$

η = efficiency of product, e.g. 96.4% = 0.964

2. Find the thermal resistance (R_{th}) in the Thermal Resistance graph found in the Output section for each model. **Note that the thermal resistance can be significantly reduced if a heat sink is mounted on the top of the base plate.**

Calculate the temperature increase (ΔT).

$$\Delta T = R_{th} * P_d$$

3. Max allowed ambient temperature is:
 Max T_{P1} - ΔT.

PKM4000NH series Fully regulated DC-DC Converters
 Input 36-75 V, Output up to 50 A / 580 W

28701-BMR66910 Rev D September 2017

© Flex

E.g. PKM 4717NH PI, open frame at 1m/s:

1. $\left(\left(\frac{1}{0.964} \right) - 1 \right) * 756 W = 28.2 W$
2. $28.2W * 2.9^{\circ}C/W = 81.8^{\circ}C$
3. $125^{\circ}C - 81.8^{\circ}C = \text{max ambient temperature is } 43.2^{\circ}C$
4. The thermal performance can be significantly improved by mounting a heat sink on top of the base plate.

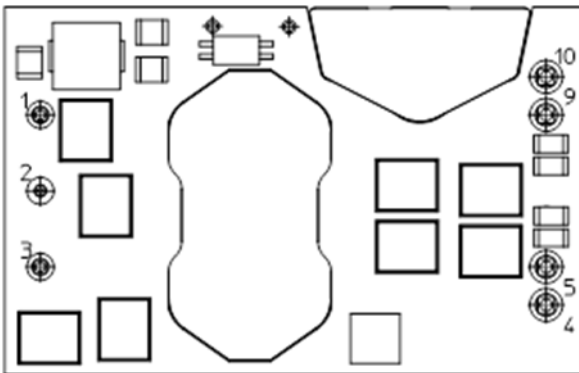
The thermal resistance between base plate and heat sink, $R_{th, b-h}$ is calculated as:

$$R_{th, b-h} = \frac{(T_{base\ plate} - T_{heat\ sink})}{R_{th}}$$

The actual temperature will be dependent on several factors such as the PCB size, number of layers and direction of airflow.

Connections

The picture shows the bottom view of the module.



Pin	Designation	Function
1	+In	Positive Input
2	RC	Remote Control
3	-In	Negative Input
4	+Out	Positive Output
5	-Out	Negative Output
9	+Out	Positive output
10	-Out	Negative output

Optionally pins 4 and 10 can be omitted but for thermal reasons and optimal current distribution this is not recommended. See Typical Characteristics for thermal information.

PKM4000NH series Fully regulated DC-DC Converters Input 36-75 V, Output up to 50 A / 580 W

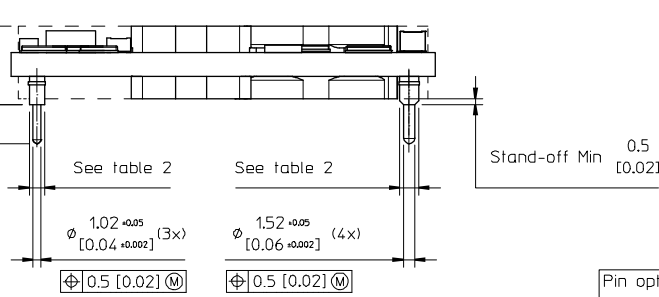
28701-BMR66910 Rev D September 2017

© Flex

Mechanical Information - Hole Mount, Open Frame Version

Height Max 11.4
[0.448]

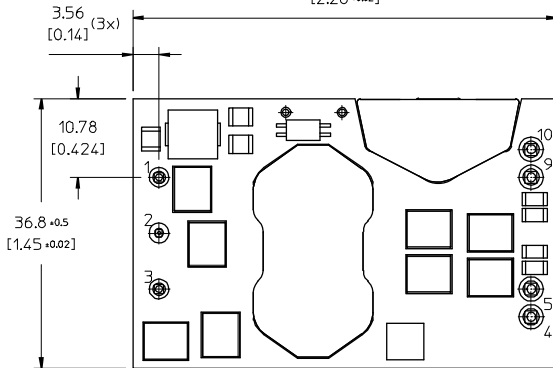
Lead length
See table 1



TOP VIEW

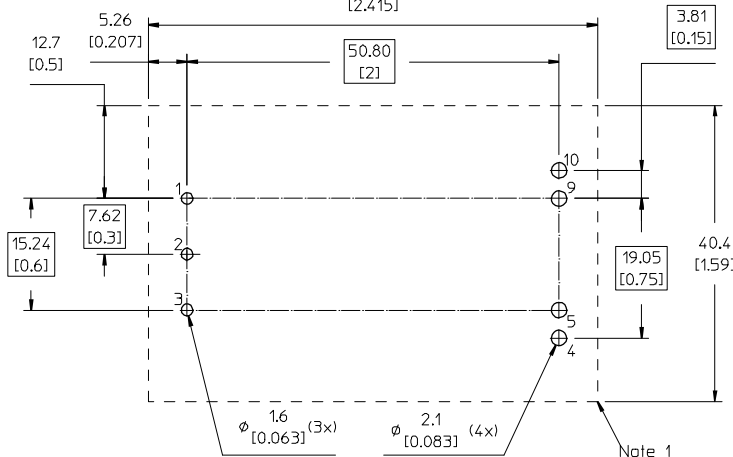
Pin positions according to recommended footprint

57.93 ±0.50
[2.28 ±0.02]

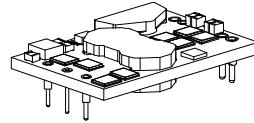


RECOMMENDED FOOTPRINT - TOP VIEW

61.3
[2.415]



Note 1



Pin options	Standard	Wide shoulder
Footprint	Single/Dual pin out	Single pin out
Pins 1,3	∅2.03[0.08"]	∅2.54 [0.10"]
Pins 5,9	∅2.54[0.10"]	∅3.05 [0.12"]
Pins 4,10	∅2.54[0.10"]	N/A

Table 2

	Lead length
Standard	5.33 [0.210]
LA	3.69 [0.145]
LB	4.57 [0.180]
LC	2.79 [0.110]

Table 1

Pins

Pin 1, 3, 4, 5, 9 & 10 Material: Copper alloy

Pin 2 Material: Brass alloy

Pin positions 4 & 10 are optional

Plating: Min Au 0.1 µm over 1-3 µm Ni

Note 1: Recommended keep away area for user components to withstand input to output isolation voltage according to absolute maximum ratings.

Footprint

Single pin out - Pins 4 & 10 not used

Dual pin out - Pin 4 & 10 used

Recommended hole dimensions are only for reference.

It's end users' decision based on different situations like productions process, substrate thickness, etc

Weight: Typical 54 g

All dimensions in mm [inch].

Tolerances unless specified

x.xx mm ±0.50 mm [0.02], x.xx mm ±0.25 mm [0.01]

(not applied on footprint or typical values)

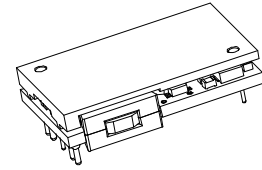
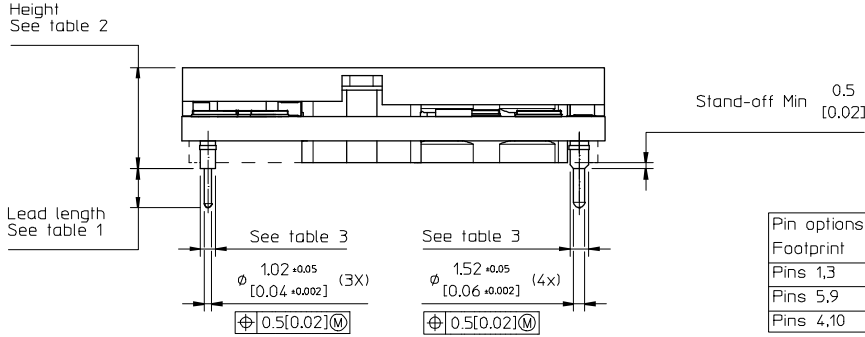


PKM4000NH series Fully regulated DC-DC Converters
 Input 36-75 V, Output up to 50 A / 580 W

28701-BMR66910 Rev D September 2017

© Flex

Mechanical Information- Hole Mount, Base Plate Version



Pin options	Standard	Wide shoulder
Footprint	Single/Dual pin out	Single pin out
Pins 1,3	∅2.03[0.08"]	∅2.54 [0.10"]
Pins 5,9	∅2.54[0.10"]	∅3.05 [0.12"]
Pins 4,10	∅2.54[0.10"]	N/A

TOP VIEW
 Pin positions according to recommended footprint

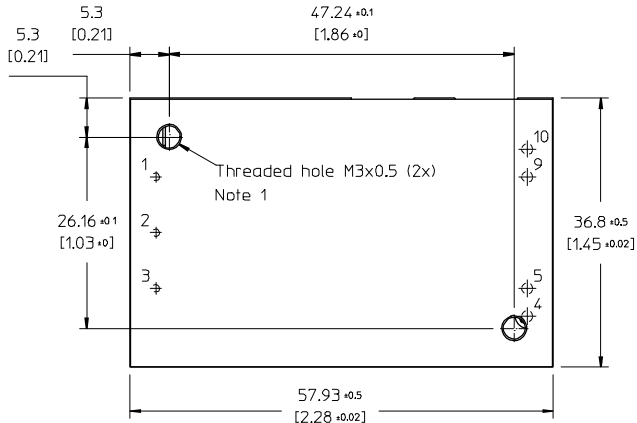


Table 3

Base plate options	Height
Standard	13.8±0.5 [0.543±0.02]
Low profile	12.7±0.5 [0.500±0.02]

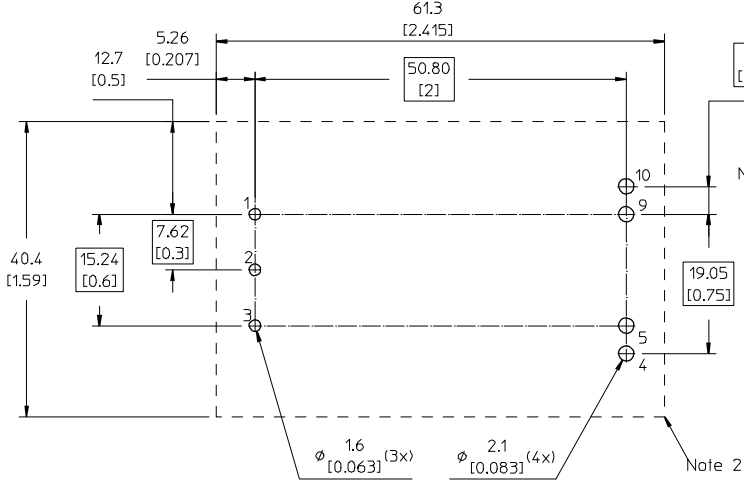
Table 2

	Lead length
Standard	5.33 [0.210]
LA	3.69 [0.145]
LB	4.57 [0.180]
LC	2.79 [0.110]

Table 1

Note 1: Case
 Material: Aluminium
 For screw attachment apply mounting torque of max 0.44 Nm [3.9 lbf in].
 M3 screws must not protrude more than:
 2.5 mm [0.1] into base plate- Standard option.
 1.7 mm [0.067] into base plate- Low profile option.

RECOMMENDED FOOTPRINT - TOP VIEW



Pins
 Pin 1, 3, 4, 5, 9 & 10 Material: Copper alloy
 Pin 2 Material: Brass alloy
 Pin positions 4 & 10 are optional
 Plating: Min Au 0.1 µm over 1-3 µm Ni

Note 2: Recommended keep away area for user components to withstand input to output isolation voltage according to absolute maximum ratings.
 Footprint
 Single pin out - Pins 4 & 10 not used
 Dual pin out - Pin 4 & 10 used
 Recommended hole dimensions are only for reference. It's end users' decision based on different situations like productions process, substrate thickness, etc

Weight: Typical 81 g
 All dimensions in mm [inch].
 Tolerances unless specified
 x.x mm ±0.50 mm [0.02], x.xx mm ±0.25 mm [0.01]
 (not applied on footprint or typical values)



All component placements – whether shown as physical components or symbolical outline – are for reference only and are subject to change throughout the product's life cycle, unless explicitly described and dimensioned in this drawing.

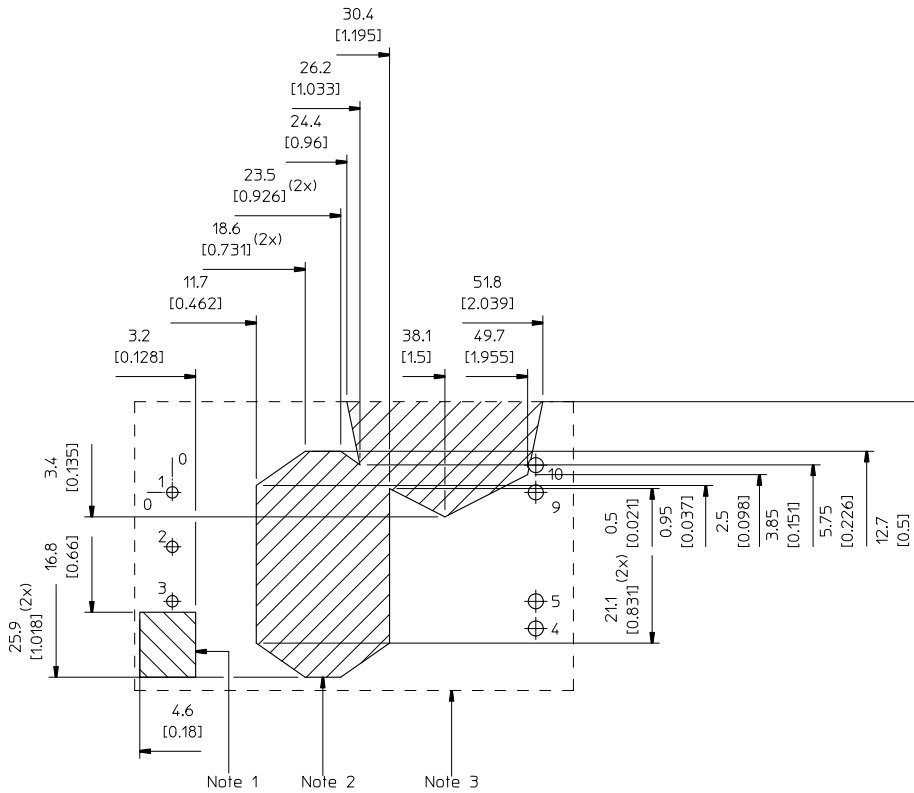
PKM4000NH series Fully regulated DC-DC Converters
 Input 36-75 V, Output up to 50 A / 580 W

28701-BMR66910 Rev D September 2017

© Flex

Mechanical Information- Layout information

Top view - Layout restrictions



Keep away area criterion:
 1.5mm [0.059"] safety clearance between input and output
 circuitry acc. to IEC 60950-1, 2250V.

Assembly tolerances are included.

Note 1: Capacitors

Recommended keep away area for open vias/traces
 connected to output circuitry to withstand input to
 output isolation voltage according to absolute maximum ratings.

Note 2: Ferrite cores

Recommended keep away area for open vias/traces
 connected to input circuitry to withstand input to
 output isolation voltage according to absolute maximum ratings.

Note 3: Outline according to recommended footprint.

All dimensions in mm [inch].
 Tolerances unless specified
 x.x mm ±0.5 mm [0.02], x.xx mm ±0.25 mm [0.01]
 (not applied on footprint or typical values)

PKM4000NH series Fully regulated DC-DC Converters
 Input 36-75 V, Output up to 50 A / 580 W

28701-BMR66910 Rev D September 2017

© Flex

Soldering Information - Hole Mounting

The hole mounted product is intended for plated through hole mounting by wave or manual soldering. The pin temperature is specified to maximum to 270°C for maximum 10 seconds.

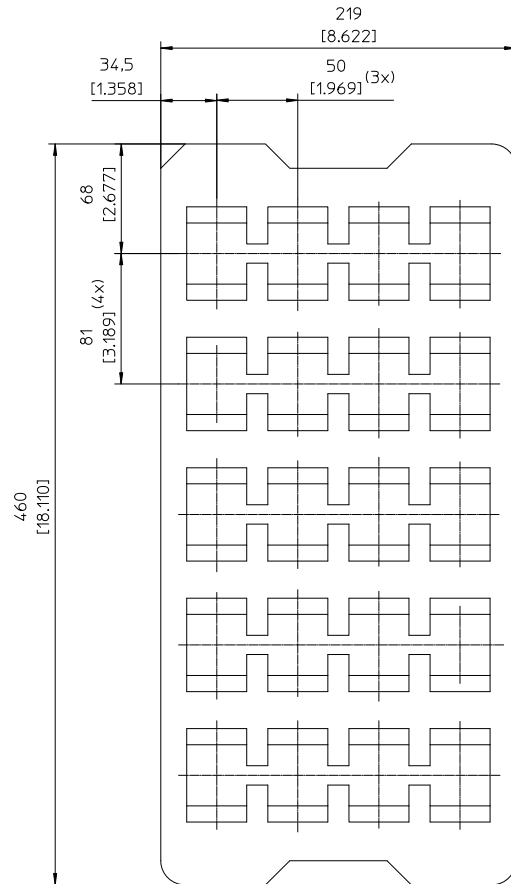
A maximum preheat rate of 4°C/s and maximum preheat temperature of 150°C is suggested. When soldering by hand, care should be taken to avoid direct contact between the hot soldering iron tip and the pins for more than a few seconds in order to prevent overheating.

A no-clean flux is recommended to avoid entrapment of cleaning fluids in cavities inside the product or between the product and the host board. The cleaning residues may affect long time reliability and isolation voltage.

Delivery Package Information

The products are delivered in antistatic trays.

Tray Specifications	
Material	Antistatic PE Foam
Surface resistance	$10^5 < \text{Ohm/square} < 10^{12}$
Bakability	The trays are not bakable
Box capacity	20 products (1 full tray/box)
Tray weight	Product – Open Frame Version 140 g empty, 1220 g full tray Product – Base Plate Version 140 g empty, 1760 g full tray



PKM4000NH series Fully regulated DC-DC Converters
 Input 36-75 V, Output up to 50 A / 580 W

28701-BMR66910 Rev D September 2017

© Flex

Product Qualification Specification

Characteristics			
External visual inspection	IPC-A-610		
Change of temperature (Temperature cycling)	IEC 60068-2-14 Na	Temperature range Number of cycles Dwell/transfer time	-40 to 100°C 1000 15 min/0-1 min
Cold (in operation)	IEC 60068-2-1 Ad	Temperature T _A Duration	-45°C 72 h
Damp heat	IEC 60068-2-67 Cy	Temperature Humidity Duration	85°C 85 % RH 1000 hours
Dry heat	IEC 60068-2-2 Bd	Temperature Duration	125°C 1000 h
Electrostatic discharge susceptibility	IEC 61340-3-1, JESD 22-A114 IEC 61340-3-2, JESD 22-A115	Human body model (HBM) Machine Model (MM)	Class 2, 2000 V Class 3, 200 V
Immersion in cleaning solvents	IEC 60068-2-45 XA, method 2	Water Glycol ether Isopropyl alcohol	55°C 35°C 35°C
Mechanical shock	IEC 60068-2-27 Ea	Peak acceleration Duration	100 g 6 ms
Moisture reflow sensitivity ¹	J-STD-020C	Level 1 (SnPb-eutectic) Level 3 (Pb Free)	225°C 260°C
Operational life test	MIL-STD-202G, method 108A	Duration	1000 h
Resistance to soldering heat ²	IEC 60068-2-20 Tb, method 1A	Solder temperature Duration	270°C 10-13 s
Robustness of terminations	IEC 60068-2-21 Test Ua1 IEC 60068-2-21 Test Ue1	Through hole mount products Surface mount products	All leads All leads
Solderability	IEC 60068-2-58 test Td ¹	Preconditioning Temperature, SnPb Eutectic Temperature, Pb-free	150°C dry bake 16 h 215°C 235°C
	IEC 60068-2-20 test Ta ²	Preconditioning Temperature, SnPb Eutectic Temperature, Pb-free	Steam ageing 235°C 245°C
Vibration, broad band random	IEC 60068-2-64 Fh, method 1	Frequency Spectral density Duration	10 to 500 Hz 0.07 g ² /Hz 10 min in each direction

Notes

¹ Only for products intended for reflow soldering (surface mount products)

² Only for products intended for wave soldering (plated through hole products)