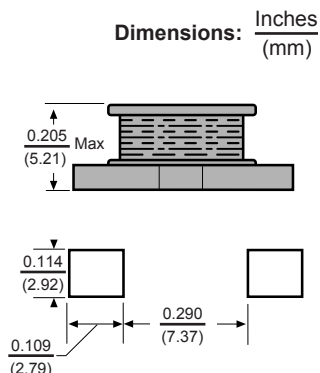
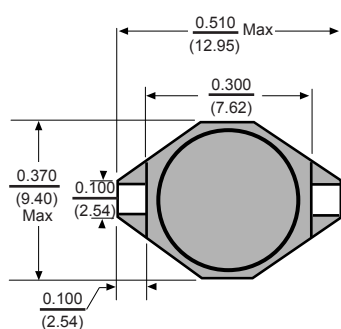


PCI40 Power Chip Inductors



Features

- Compact and Low Profile
- High energy storage and low DCR
- Designed with high heat resistant materials for reflow operation
- Wrap around terminals for excellent solder quality and inspection
- Flat top for pick and place assembly
- Non standard values available

Electrical

Inductance Range: 0.68 μ H to 1000 μ H

Test Frequency: Inductance measured at 100KHz. 0.1Vrms

Operating Temp. Range: -40°C to +125°C

Inductance Drop: 10% typical at rated Isat

Resistance to Soldering Heat

Pre-Heat: 130~150°C, 2 minute.

Solder Temp: 245°C \pm 5°C

Immersion Time: 10 sec.

Depth: Completely cover the termination

Test Equipment

(L): HP4284A LCR meter or equivalent

DCR: Milli-ohm meter

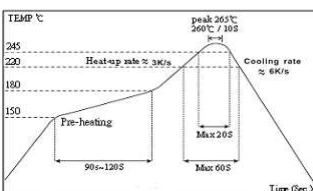
Electrical specifications @25°C

Physical

Marking: EIA Inductance Code

Packaging: 1,000 pieces per 13 inch reel

Reflow Soldering



Allied Part Number	Inductance (μ H)	Tolerance (%)	DCR (Ω) Max	Isat (A) MAX
PCI40-R68M-RC	0.68	20	0.008	11.0
PCI40-1R0M-RC	1.0	20	0.009	9.00
PCI40-1R2M-RC	1.2	20	0.010	8.50
PCI40-1R5M-RC	1.5	20	0.010	8.00
PCI40-1R8M-RC	1.8	20	0.011	7.50
PCI40-2R2M-RC	2.2	20	0.012	7.00
PCI40-2R7M-RC	2.7	20	0.014	6.50
PCI40-3R3M-RC	3.3	20	0.015	6.40
PCI40-4R7M-RC	4.7	20	0.018	5.40
PCI40-5R6M-RC	5.6	20	0.025	4.70
PCI40-6R8M-RC	6.8	20	0.027	4.60
PCI40-8R2M-RC	8.2	20	0.036	4.00
PCI40-100M-RC	10	20	0.038	3.80
PCI40-120M-RC	12	20	0.044	3.20
PCI40-150M-RC	15	20	0.046	3.00
PCI40-180M-RC	18	20	0.066	2.70
PCI40-220M-RC	22	20	0.085	2.60
PCI40-270M-RC	27	20	0.095	2.10
PCI40-330M-RC	33	20	0.100	2.00
PCI40-390M-RC	39	20	0.130	1.70
PCI40-470M-RC	47	20	0.140	1.60
PCI40-560M-RC	56	20	0.190	1.50
PCI40-680M-RC	68	20	0.200	1.40
PCI40-820M-RC	82	20	0.260	1.25
PCI40-101M-RC	100	20	0.280	1.20
PCI40-121M-RC	120	20	0.360	1.02
PCI40-151M-RC	150	20	0.400	1.00
PCI40-181M-RC	180	20	0.540	0.82
PCI40-221M-RC	220	20	0.610	0.80
PCI40-271M-RC	270	20	0.840	0.62
PCI40-331M-RC	330	20	1.020	0.60
PCI40-391M-RC	390	20	1.250	0.52
PCI40-471M-RC	470	20	1.270	0.50
PCI40-561M-RC	560	20	1.850	0.42
PCI40-681M-RC	680	20	2.020	0.40
PCI40-821M-RC	820	20	2.530	0.35
PCI40-102M-RC	1000	20	3.000	0.30

All specifications subject to change without notice.