

## SUMMARY

### # Wires

Coax 1



*Image is for illustrative purpose only*

Series 00  
Termination type Male solder  
IP rating 50  
AWG wire size 0.00 - 0.00  
Cable Ø 2.80 - 3.10 mm  
Status Active  
Alternative part [FFA.00.250.NTAC31](#)  
Matching parts [ERA.00.250.NTL](#)

### Download

[Request a quote](#)

[Catalog](#)

## TECHNICAL DETAILS

### Mechanics

Shell Style/Model FFA\*: Straight plug with cable collet  
Keying Circular, male  
Housing Material Brass (nickel plated [SAE AMS QQ N 290]) shell, collet nut, latch sleeve and mid pieces  
Weight 2.81 g

### Performance

Configuration 00.250 : 1 Coax (50 Ohm)  
Insulator T: PTFE  
Rated Current 4 Amps

### Specifications

Contact Type: Coaxial 50 Ohm (Solder)  
Contact Dia.: 0.7 mm (0.028in)  
Bucket Dia.: 0.6 mm (0.024in)  
Test voltage: 2.1 kV (rms)  
R (max): 6.1 mOhm  
Vtest: 2100 V (AC), 3000 V (DC)  
□  
Impedance: 50 Ohm  
VSWR: 1.09 + 0.11 \* f /GHz

*LEMO products and services are provided "as is". LEMO makes no warranties or representations with regard to LEMO product & services or use of them, express, implied or statutory, including for accuracy, completeness, or security. The user is fully responsible for his products and applications using LEMO components.*

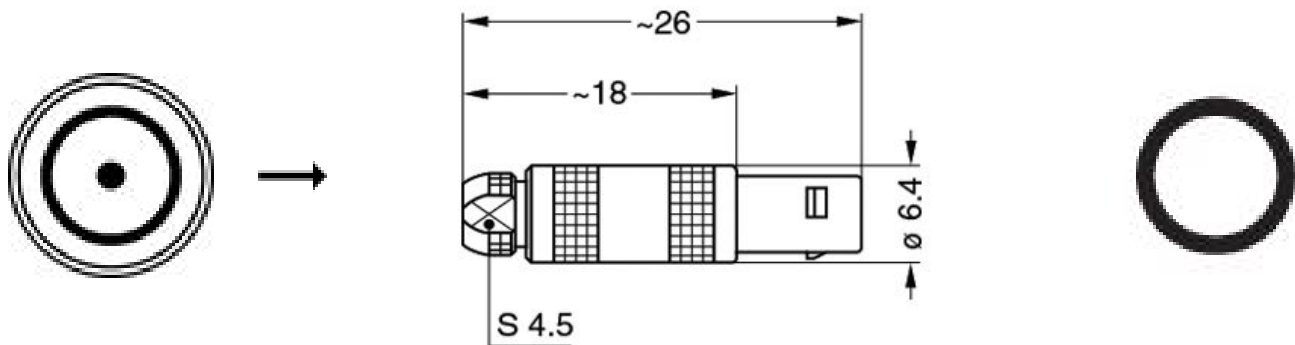
Cable type: RG 316 /U

## Others

Endurance (Shell): 5000 mating cycles  
F ret (min): 100 N  
Salt Spray Corrosion: >144 hr

---

## DRAWINGS



## Dimensions

	A	L	M
mm.	6.4	26	18
in.	0,25	1,02	0,71

---



## RECOMMENDED BY LEMO

### Tools

Spanner wrench: [DCD.00.ZZZ.PA045](#)

### Cables

*LEMO products and services are provided "as is". LEMO makes no warranties or representations with regard to LEMO product & services or use of them, express, implied or statutory, including for accuracy, completeness, or security. The user is fully responsible for his products and applications using LEMO components.*

17420	PVC	Black	
31600	PTFE	Brown	
CCX.50.RG1.74AU28N	PVC	Black	
CCX.50.RG1.74AU28N	PVC	Black	
CCX.50.RG3.16U28M	PTFE	Brown	

*LEMO products and services are provided "as is". LEMO makes no warranties or representations with regard to LEMO product & services or use of them, express, implied or statutory, including for accuracy, completeness, or security. The user is fully responsible for his products and applications using LEMO components.*