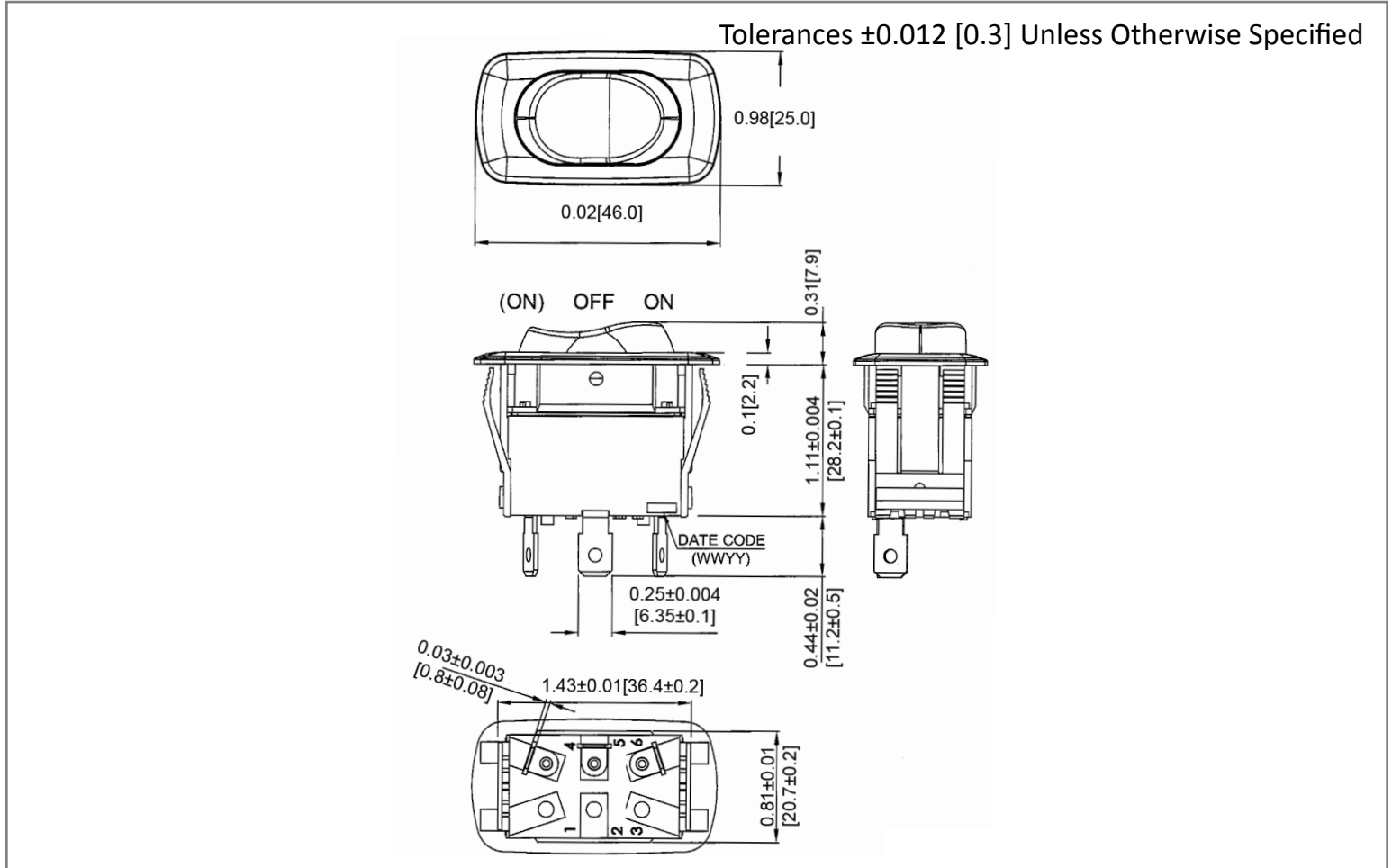
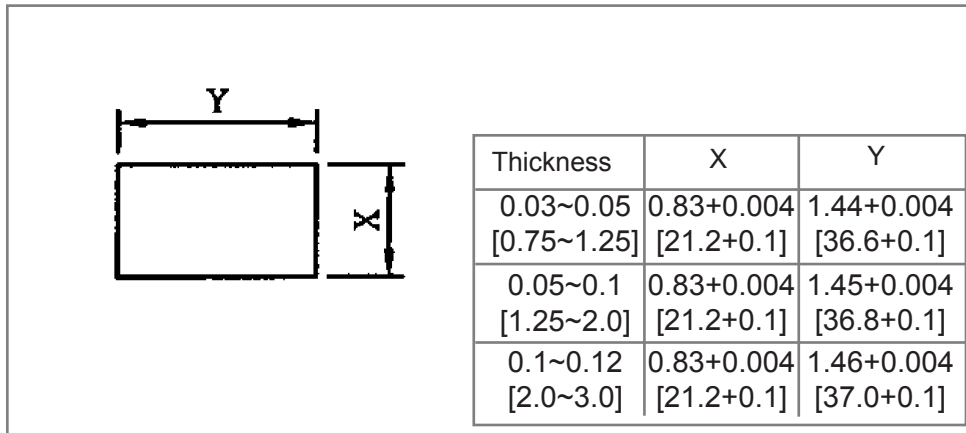


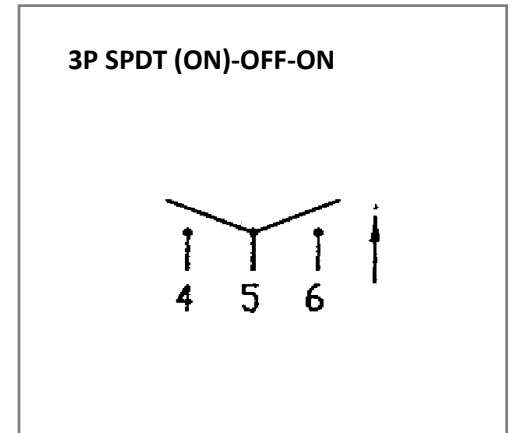
Mechanical Dimensions: Inches [mm]



Mounting Hole



Circuit Diagram



Electrical Specifications

| | | |
|-----------------------|------------------------|--|
| Rating | 21A 14V DC, 10A 28V DC | |
| Contact Resistance | 50m ohm Max | |
| Insulation Resistance | DC 500V 100M ohm Min | |
| Dielectric Strength | AC 1500V 1 minute | |
| Operation Temperature | -20°C~85°C | |

Material Specifications

| | |
|------------|-----------------|
| Frame | Black, Nylon 66 |
| Actuator | Black, Nylon 66 |
| Waterproof | IP56 |

| Rev | Date of issue | Revision Notes | Designed | Approved |
|-----|---------------|-----------------|----------|----------|
| B | 06-08-2021 | Initial Drawing | RC | OF |