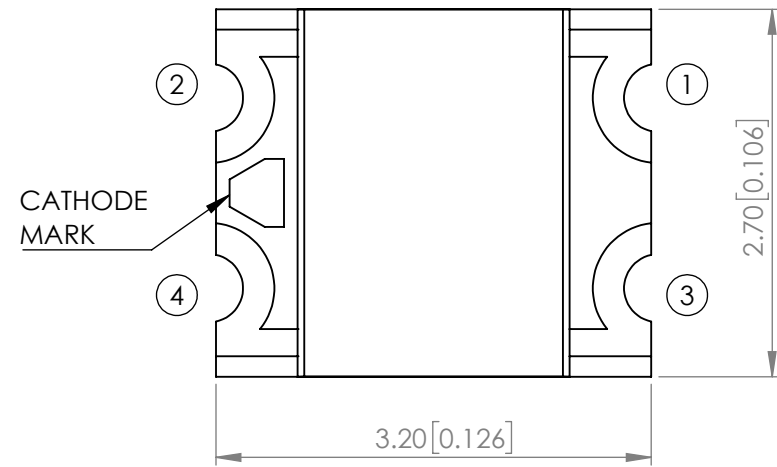
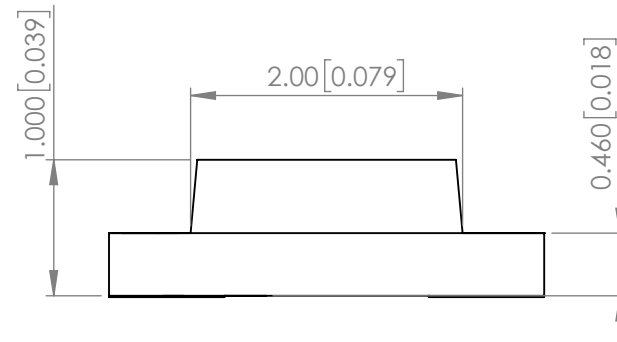
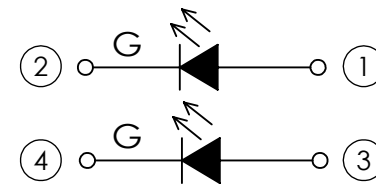


PART NUMBER	SML-LX1210GGC-TR	REV	L
REV	E.C.N. NUMBER AND REVISION COMMENTS	DATE	
A	ADDED TAPE W/POLARITY AND DIRECTION	11.06.95	
B	E.C.N. #10196.	06.25.96	
C	E.C.N. #10324.	03.17.97	
D	E.C.N. #10404. & #10BRDR & REDRAWN.	05.22.98	
E	E.C.N. #10BRDR.	10.04.99	
F	E.C.N. #10695.	01.04.01	
G	E.C.N. #10972.	03.25.03	
H	E.C.N. #11148.	02.07.05	
I	E.C.N. #11508.	03.10.09	
J	E.C.N. #10BRDR & REDRAWN.	07.22.11	
K	ECN-Lumex201800160	10.22.18	
L	ECN-Lumex202100073	12.16.21	



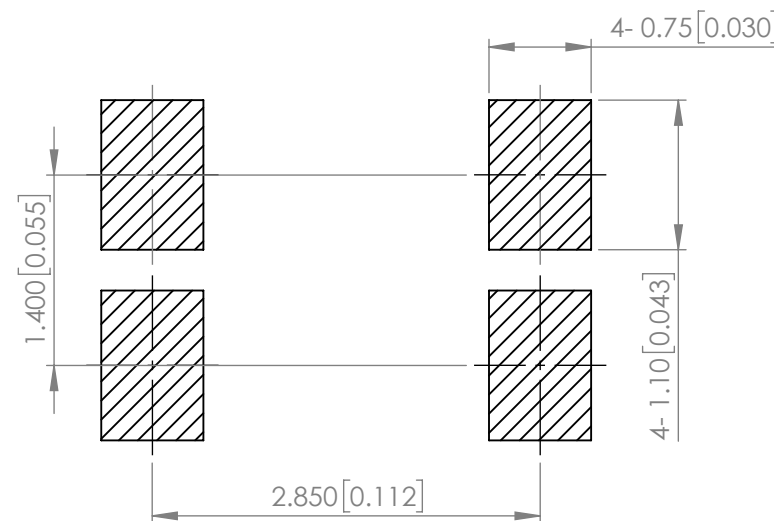
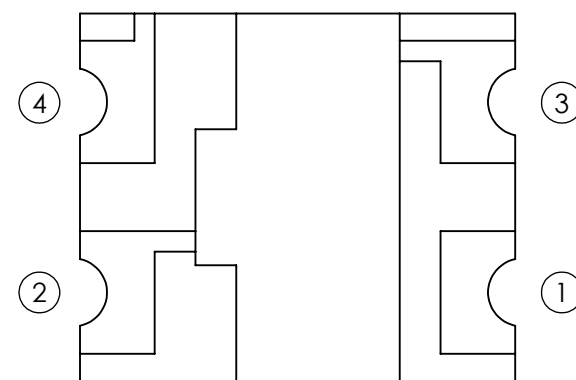
POLARITY



ELECTRO-OPTICAL CHARACTERISTIC TA=25°C PER CHIP

PARAMETER	MIN	TYP	MAX	UNITS	TEST COND
PEAK WAVELENGTH	-	575	-	nm	If=20mA
FORWARD VOLTAGE	-	2.0	2.4	Vf	If=20mA
REVERSE CURRENT	-	-	10	uA	Vr=5V
LUMINOUS INTENSITY	-	50	-	mcd	If=20mA
VIEWING ANGLE	-	140	-	2x theta1/2	-
EMITTED COLOR	GREEN				
EPOXY LENS FINISH	WATER CLEAR				

RECOMMENDED SOLDER PAD LAYOUT



ABSOLUTE MAXIMUM RATINGS TA=25°C PER CHIP

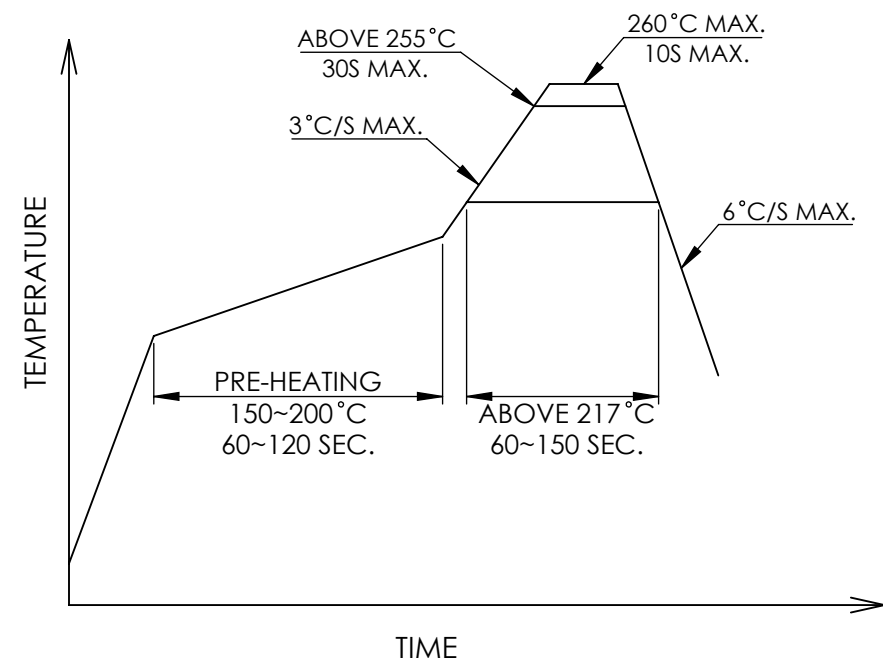
PARAMETER	MAX	UNITS
PEAK FORWARD CURRENT	60	mA
FORWARD CURRENT	25	mA
REVERSE VOLTAGE	5	V
POWER DISSIPATION	60	mW
STORAGE TEMPERATURE	-40 TO +90	°C
OPERATING TEMPERATURE	-40 TO +85	°C

* 1/10 DUTY CYCLE 0.1ms PULSE.

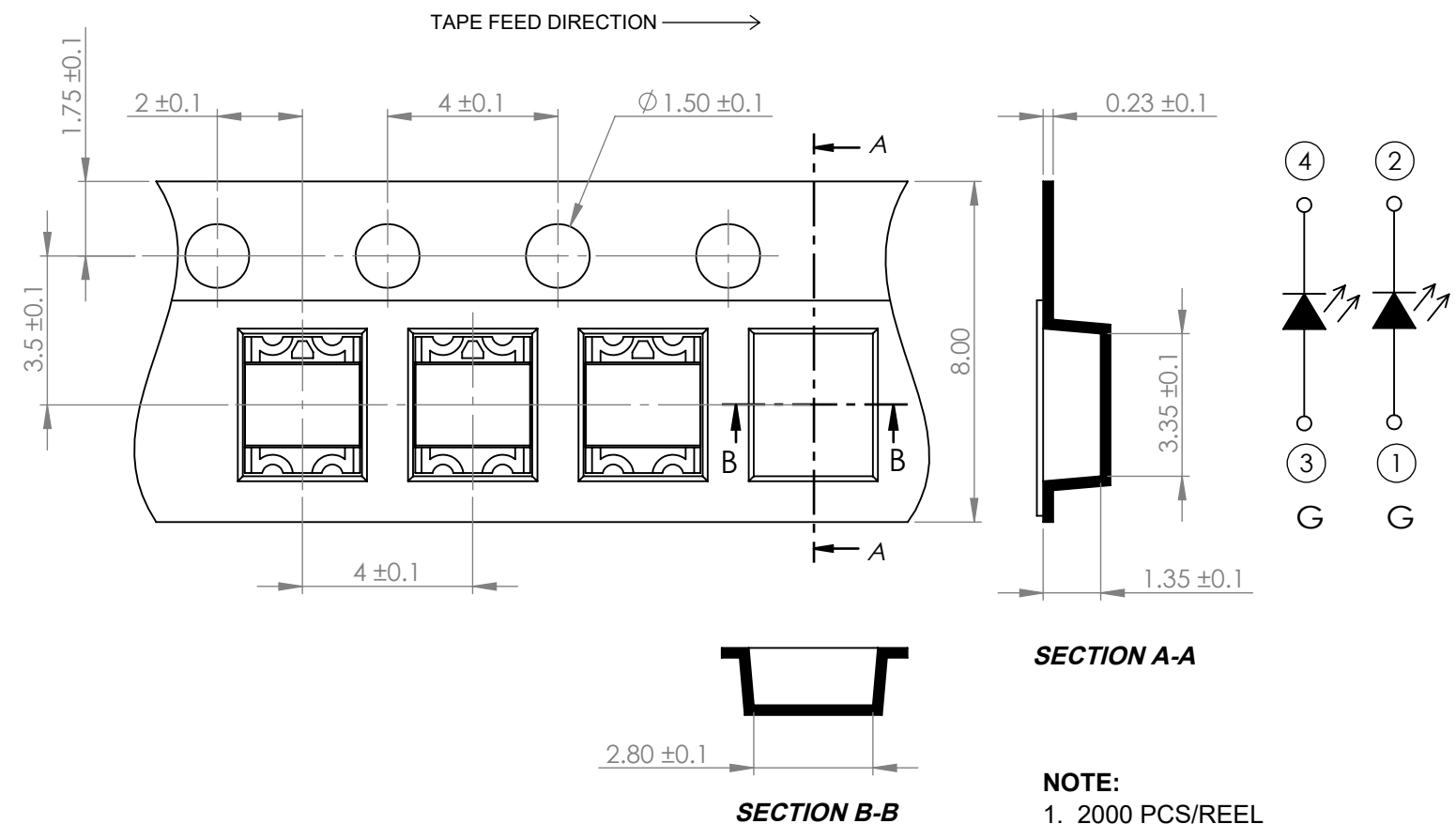
**MOISTURE SENSITIVE DEVICE
PER JEDEC LEVEL 3 STANDARDS**

*UNLESS OTHERWISE SPECIFIED TOLERANCES PER DECIMAL PRECISION ARE: X=±1 (±0.039), X.X=±0.5 (±0.020), X.XX=±0.25 (±0.010), X.XXX=±0.127 (±0.005). LEAD SIZE=±0.05 (±0.002), LEAD LENGTH=±0.75 (±0.030). MIN= ^{+DECIMAL PRECISION}/_{-0.00} MAX= ^{+0.00}/_{-DECIMAL PRECISION}

PROFILE



CARRIER TAPE DIMENSION



NOTE:
1. 2000 PCS/REEL

*UNLESS OTHERWISE SPECIFIED TOLERANCES PER DECIMAL PRECISION ARE: X=±1 (±0.039), X.X=±0.5 (±0.020), X.XX=±0.25 (±0.010), X.XXX=±0.127 (±0.005). LEAD SIZE=±0.05 (±0.002), LEAD LENGTH=±0.75 (±0.030). MIN= ^{+DECIMAL PRECISION}/_{-0.00} MAX.= ^{+0.00}/_{-DECIMAL PRECISION}

<p>425 N. GARY AVE. CAROL STREAM, IL 60188 PHONE : 800-278-5666 FAX : 630-315-2150 WEB : WWW.LUMEX.COM</p>	3.2(L)*2.7(W)*1.0(H)mm, PCB SURFACE MOUNT TOP VIEW LED, DUAL 575nm GREEN CHIPS, WATER CLEAR LENS, TAPE & REEL.		DATE : 2018.10.22	DRAWN BY : C.C.
	THE SPECIFICATIONS MAY CHANGE AT ANY TIME WITHOUT NOTICE.			
	CONFIDENTIAL INFORMATION			
	THE INFORMATION CONTAINED IN THIS DOCUMENT IS THE PROPERTY OF LUMEX INC. EXCEPT AS SPECIFICALLY AUTHORIZED IN WRITING BY LUMEX INC., THE HOLDER OF THIS DOCUMENT SHALL KEEP ALL INFORMATION CONTAINED HEREIN CONFIDENTIAL AND SHALL PROTECT SAME IN WHOLE OR IN PART FROM DISCLOSURE AND DISSEMINATION TO ALL THIRD PARTIES.			
			SCALE : NTF	APRVD BY : G.Y.
			UNIT : mm [INCH]	(No)