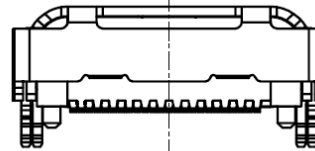
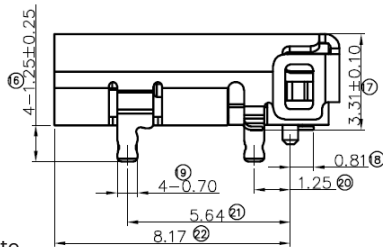
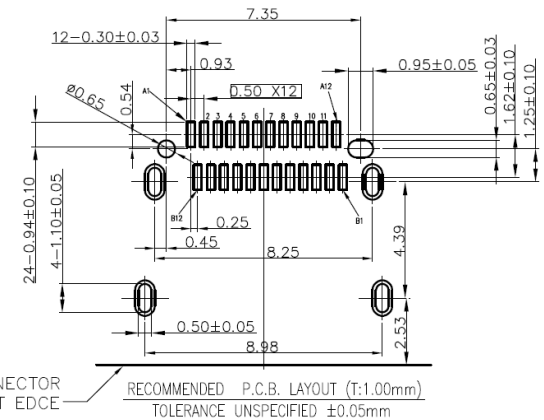
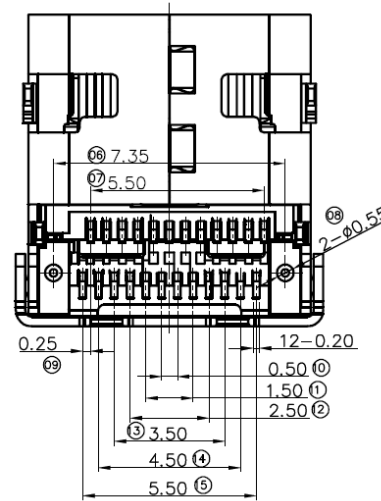
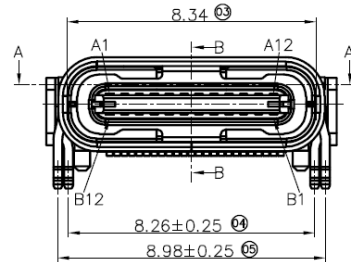
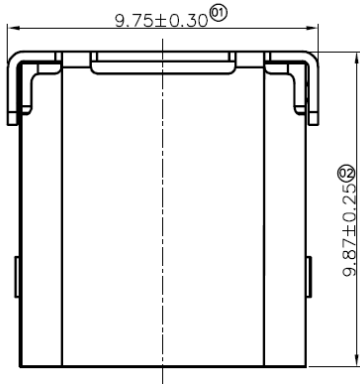
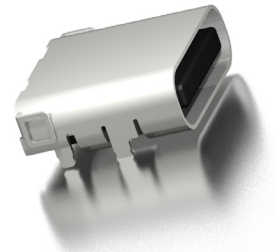


# SCNUS - UC4 - 1243GF - SOR TH

**Suntsu** Connector      **USB**      **USB-C 4.0**      **Number of Ports**      **Contact Plating**  
 30u" Gold Plating      **Termination Style**      **Mounting Style**  
 Solder      Through Hole  
**Number of Contacts**      **Female**      **Mounting Angle**  
 Right



**Specification**  
 Current Rating: 5.0A  
 Contact Resistance: 40mΩ Max.  
 Insulation Resistance: 100MΩ Min.  
 Dielectric Voltage: 100V AC for one minute  
 Operation Temperature: -55°C to 85°C  
 Durability: 10,000 Cycles Min.  
 Insertion Force: 5N ~ 20N  
 Withdrawl Force: 8N ~ 20N

A1	GND	A7	Dn1	B1	GND	B7	Dn2
A2	SSTXp1	A8	SBU1	B2	SSTXp2	B8	SBU2
A3	SSTXn1	A9	VBUS	B3	SSTXn2	B9	VBUS
A4	VBUS	A10	SSRXn2	B4	VBUS	B10	SSRXn1
A5	CC1	A11	SSRXp2	B5	CC2	B11	SSRXp1
A6	Dp1	A12	GND	B6	Dp2	B12	GND



USB TYPE-C 4.0 FEMALE RIGHT ANGLE SURFACE MOUNT CONNECTOR

Document History			
Edits Made	Date	Edited By	Approved By
Initial Release	06/08/2022	B. Gibbons	KH Mun

Part No.	SCNUS-UC4-1243GF-SOR TH	Drawn	B. Gibbons 06/08/2022
Scale	Not drawn to scale	Tolerance	0.° ±4° 0. ±0.35 0.0° ±3° 0.0 ±0.30 0.00 ±0.25
Unit	mm	Pages	1/1