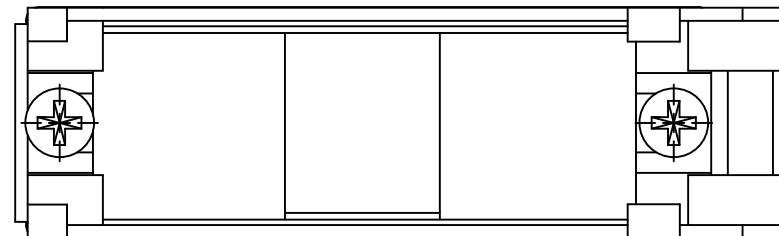
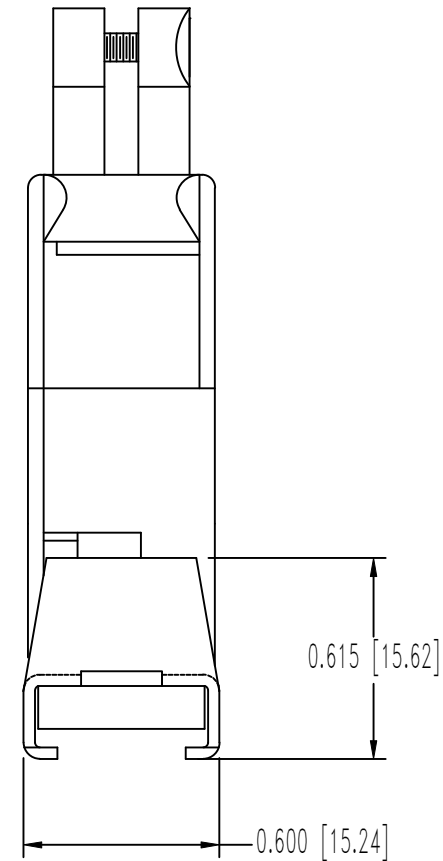
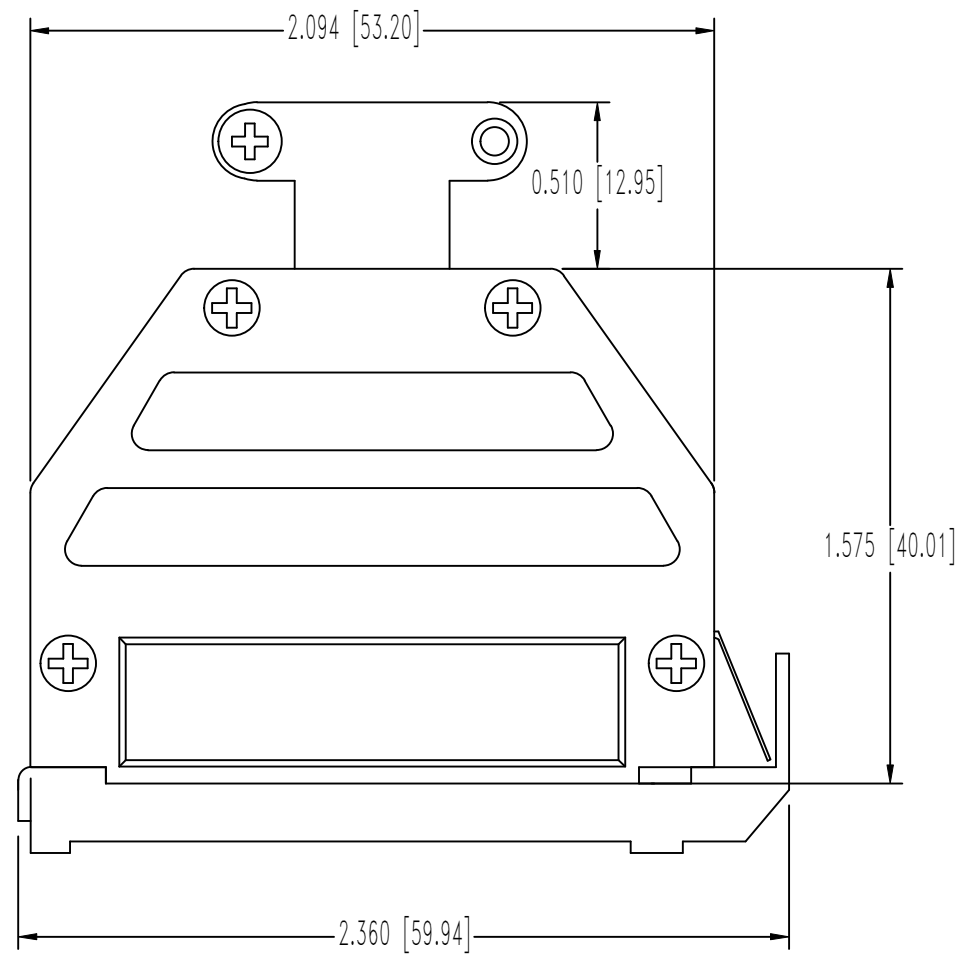


SK11720


POSITRONIC INDUSTRIES BELIEVES THE DATA ON THIS DRAWING TO BE RELIABLE, SINCE THE TECHNICAL INFORMATION IS GIVEN FREE OF CHARGE, THE USER EMPLOYS SUCH INFORMATION AT HIS OWN DISCRETION AND RISK. POSITRONIC INDUSTRIES ASSUMES NO RESPONSIBILITY FOR RESULTS OBTAINED OR DAMAGES INCURRED FROM USE OF SUCH INFORMATION IN WHOLE OR IN PART.

DATE	REV	REVISION RECORD	APP	DR	CK
8-11-10	NC	ECO 32876	COLE	BS	COLE
2-1-13	A	ECO 38334	COLE	BE	COLE



NOTES:

- MATERIALS AND FINISHES:
 HOOD, COVER, AND CABLE CLAMPS: DIE CAST ZINC.
 LOCK LEVER: STEEL WITH NICKEL PLATE.
 MOUNTING SCREWS: STEEL, ZINC PLATE WITH CHROMATE SEAL.
 LOCKARM SPRING: BERYLLIUM COPPER WITH NICKEL PLATE.
 COVER SCREWS: STEEL WITH NICKEL PLATE.
- DETAILED PRODUCT, MECHANICAL, AND ELECTRICAL INFORMATION IS AVAILABLE IN THE LATEST D-SUB ACCESSORY PRODUCT PUBLICATION. VISIT CONNECTPOSITRONIC.COM/PRODUCTS/58/D-SUBMINIATUREACCESSORIES OR CONNECTPOSITRONIC.COM.
- HOODS ARE COMPLIANT TO THE CURRENT ROHS DIRECTIVE.
- DIMENSIONS ARE IN INCHES [MILLIMETERS].

	POSITRONIC INDUSTRIES INC. www.connectpositronic.com	
	DECIMAL TOL. ± 0.015 [0.38]	SCALE N.T.S.
ANGULAR TOL. $\pm 5^\circ$	DATE 8-11-10	DRAWING NUMBER SK11720
D SERIES		DRAWN BY B SHELEDY
TITLE D25000GVLO/AA		APPROVED BY S COLE
REV.		A