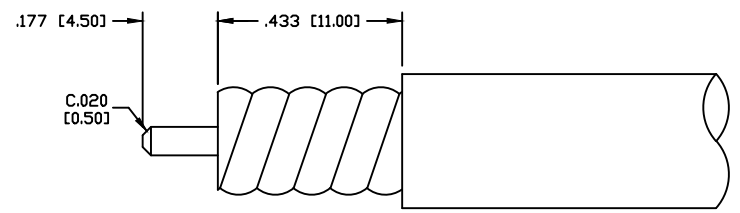
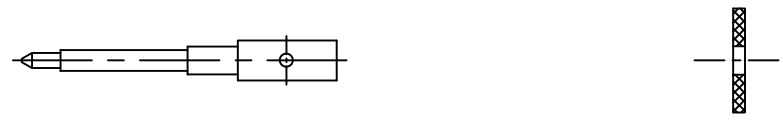
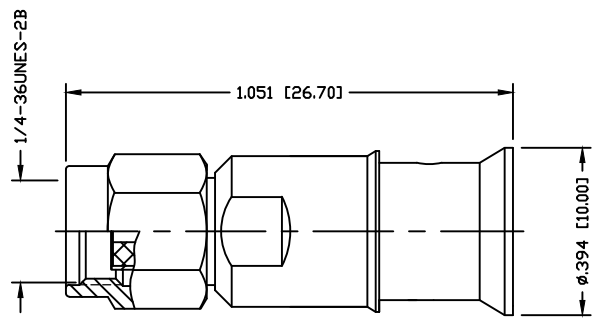


PART NO.		RSA-3500-HPL		
REV	DESCRIPTION	DWN	DATE	APPROVED
-	ENGINEERING RELEASE	CZS	03/16/15	JDMc



RECOMMENDED STRIPING DIMENSIONS

SPECIFICATIONS:

IMPEDANCE: 50 Ohms
 FREQUENCY RANGE: 0-3 GHz
 VSWR: <1.15:1 THRU 3GHz
 PIM: ≤ -155 dBc
 DIELECTRIC WITHSTANDING VOLTAGE: 1500V/AC
 INSULATION RESISTANCE: 10000MOHMS
 TEMPERATURE RANGE: -40°C TO 155°C
 MECHANICAL DURABILITY: 500 CYCLES

#	DESCRIPTION	QTY	MATERIAL	FINISH
7	SHELL	1	BRASS	WHITE BRONZE
6	SPACER	1	EPVC	----
5	RETAINING RING	1	Be.Cu.	WHITE BRONZE
4	GASKET	1	RUBBER	----
3	PIN	1	BRASS	SILVER
2	INSULATOR	1	PTFE	----
1	BODY	1	BRASS	WHITE BRONZE

CUSTOMER OUTLINE DRAWING	
ALL DIMENSIONS ARE REFERENCE ONLY	
UNLESS OTHERWISE SPECIFIED: DIMENSIONS ARE IN INCHES AND [MILLIMETERS]	
DRAWN C. ZUNIGA	03/16/15
CHECKED	
ORJ DRAWN C. ZUNIGA	03/16/15

RoHS COMPLIANT

PROPRIETARY AND CONFIDENTIAL

THIS DRAWING CONTAINS INFORMATION PROPRIETARY TO RF INDUSTRIES. ANY UNAUTHORIZED USE OF THIS DRAWING IS EXPRESSLY PROHIBITED WITHOUT WRITTEN PERMISSION FROM RF INDUSTRIES. ANY VIOLATION IS PUNISHABLE UNDER U.S. COPYRIGHT LAWS.

RFconnectors 7610 MIRAMAR RD. SAN DIEGO, CA 92126 (858) 549-6340

DIVISION OF RF INDUSTRIES, LTD. (858) 549-6345 FAX

SMA PLUG SOLDER

SIZE A	CABLE GROUP N/A	DWG NO. RSA-3500-HPL	REV ---
SCALE: NTS	ENGINEERING ID: 1787	SHEET 1 OF 1	