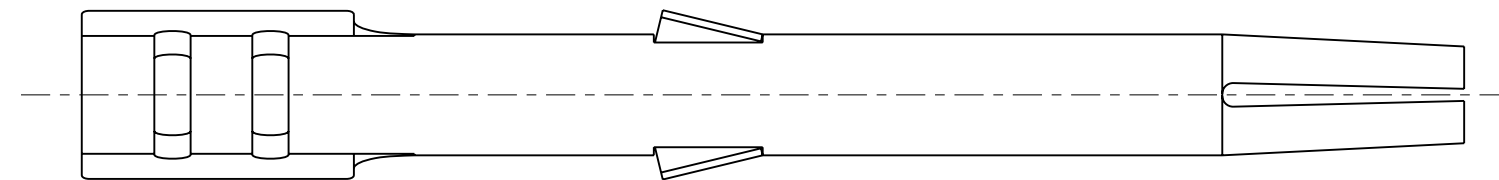
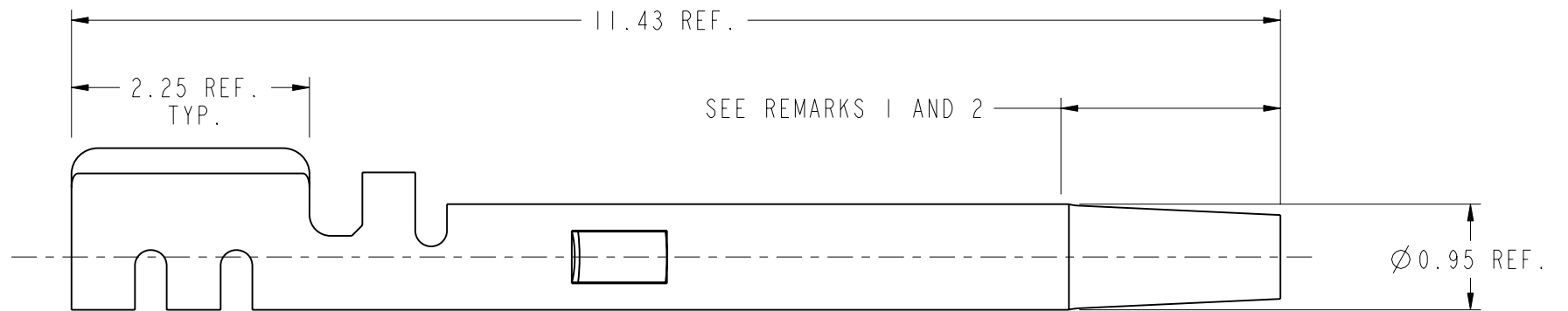
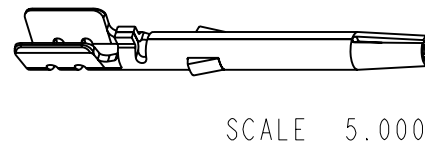
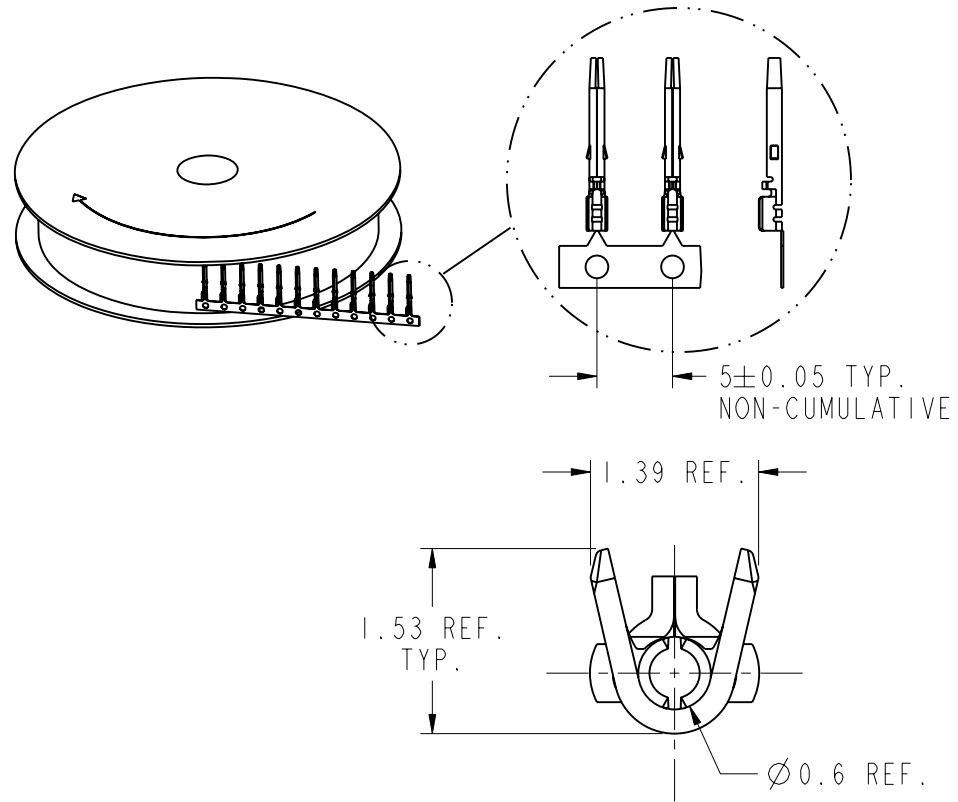


NOTES:

1. MATERIALS & FINISHES:
PHOSPHOR BRONZE, PER ASTM-B103, UNS C5190
GOLD PLATING (.000030" MIN.)
2. CONTACTS TO BE SUPPLIED
ON REELS (5,000 PCS./ REEL)
3. CONTACTS TO WOUND ON REEL IN DIRECTION AND POSITION SHOWN.



REMARKS:

1. THE INTERFACE AREA:
GOLD PL. 30 MIN. THICK OVER NICKEL PL. 100 MIN THICK OVER COPPER STRIKE
THE REST AREA:
GOLD PL. 5 MIN. THICK OVER NICKEL PL. 100 MIN THICK OVER COPPER STRIKE
2. INTERFACE AREA: GOLD PLATING TO COVER 3.3mm MIN. AS SHOWN

CONFIGURATION CONTROL:
NO CHANGES PERMITTED TO DRAWING WITHOUT
PPAP QUALIFIED CUSTOMER APPROVAL

CUSTOMER OUTLINE DRAWING
ALL OTHER SHEETS ARE FOR INTERNAL USE ONLY

THIRD ANGLE PROJ.

REVISIONS

REV	DESCRIPTION	DATE	ECO	APPR
A	RELEASE TO MFG.	08-Jul-15	50463	RS

UNLESS OTHERWISE SPECIFIED, DIMENSIONS ARE IN METRIC AND TOLERANCES ARE:
 <0.5mm ± 0.05mm 0.5 - 6mm ± 0.1mm 6 - 30mm ± 0.2mm 30 - 120mm ± 0.3mm ANGLES ± 1°

NOTICE - These drawings, specifications, or other data (1) are, and remain the property of Amphenol corp. (2) must be returned upon request; and (3) are confidential and not to be disclosed to any person other than those to whom they are given by Amphenol Corp. the furnishing of these drawings, specifications, or other data by Amphenol Corp., or to any other person for any purpose is not to be regarded by implication or otherwise in any manner licensing, granting rights to permitting such holder or any other person to manufacture, use or sell any product, process or design, patented or otherwise, that may in any way be related to or disclosed by said drawings, specifications, or other data.

MATERIAL
PHOSPHOR BRONZE
PER ASTM-B103 UNS C51900
0.2MM THICK

REFERENCE
EAR #4637

CONFIGURATION LEVEL:

FINISH

DRAWN
C. YU

ENGINEER
R. SHANG

APPROVED
S. HSIEH

CAD FILE

DATE
03-Jul-15

DATE
03-Jul-15

DATE
15-Jul-15

TITLE
STAMPED AND FORMED
FAKRA CONTACT
FOR COI CABLE GROUP

SCALE: 4.0:1.0

SHEET 3 OF 3

DWG SIZE
B

REV
A

Amphenol RF
Danbury CT USA, Tainan, Taiwan, Shenzhen, China
www.amphenolrf.com

DRAWING NO. FKCP08402

ITEM NO. FKCP08402A

PART NO.