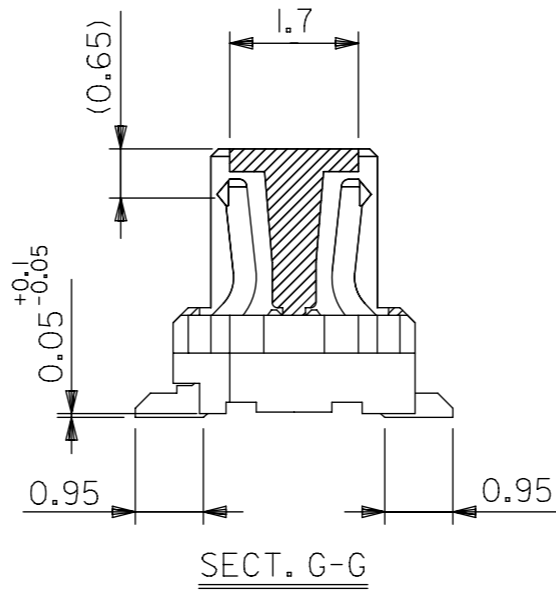
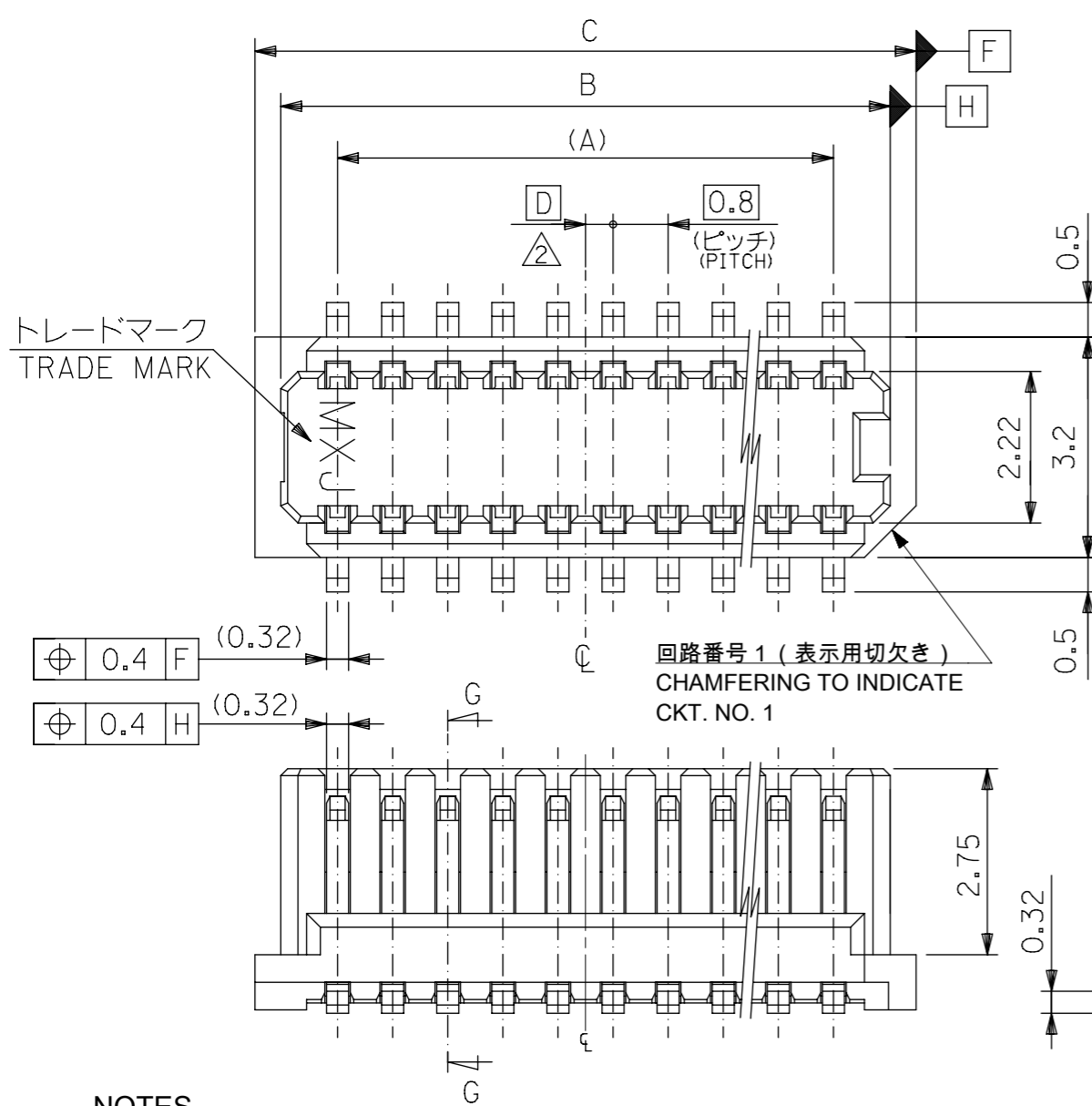
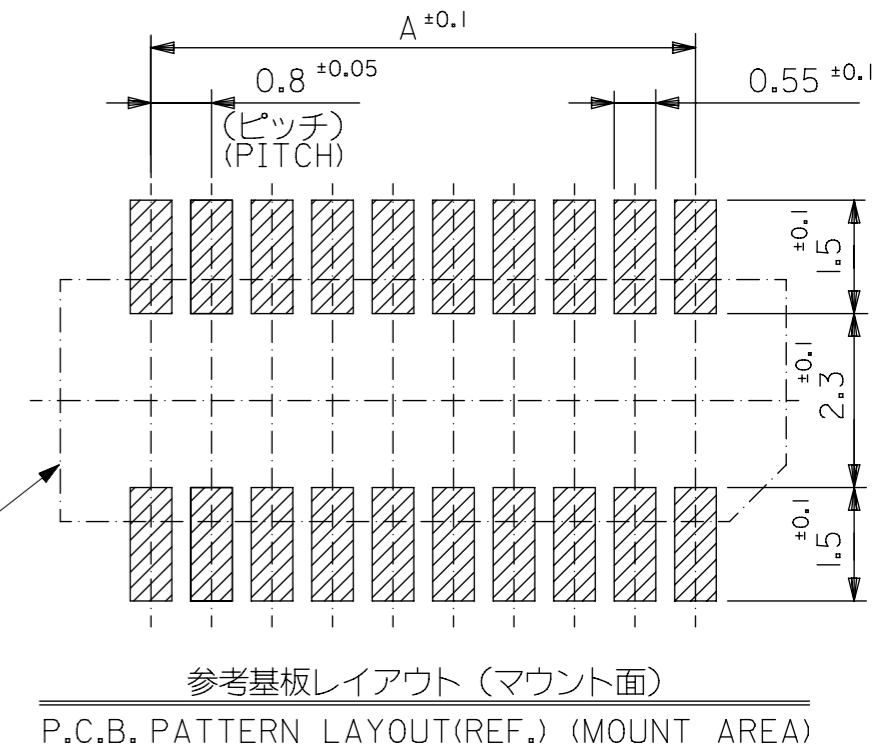


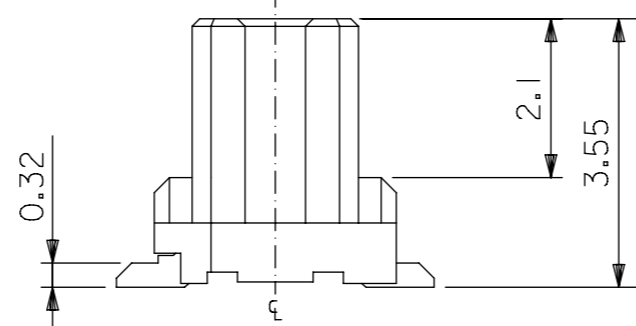
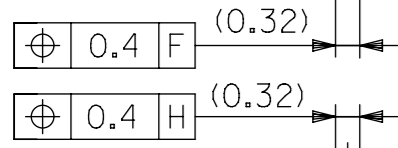
トレードマーク
TRADE MARK



コネクタ位置
CONNECTOR
POSITION



回路番号 1 (表示用切欠き)
CHAMFERING TO INDICATE
CKT. NO. 1



NOTES

1. 嵌合相手 : 53307, 53309シリーズ
MATE WITH : 53307, 53309 SERIES
2. ハウジングの ϕ から隣接するターミナルの ϕ 迄の位置を示す。
SHOW POSITION FROM ϕ OF HOUSING TO ϕ OF ADJACENT TERMINALS.
3. 一対の基板の嵌合に於いて、本製品を 2 個以上使用することは推奨できません。
MXJ DOES NOT RECOMMEND THE USAGE OF TWO OR MORE OF THESE CONNECTORS BETWEEN A SINGLE PAIR OF P.C.BOARD.
4. 本製品は 52465-**27の鉛フリー品である。
THIS PRODUCT IS LEAD FREE OF 52465-**27.
5. ELV及びRoHS適合品
ELV AND RoHS COMPLIANT.
6. 使用材料MATERIAL
ハウジングHOUSING : POLYAMIDE GLASS FILLED, UL94V-0 (WHITE)
ターミナルTERMINAL : 燐青銅 PHOSPHOR BRONZE t=0.32
7. めっき仕様 PLATING
ターミナルTERMINAL : 錫めっき/ニッケル下地 TIN OVER NICKEL PLATED
8. テール平坦度は0.1mm MAX
TAIL COPLANALITY TO BE 0.1mm MAXIMUM.

0.4	17.6	16.85	15.2	52465-4071	40
0.4	16.0	15.25	13.6	52465-3671	36
0.4	14.4	13.65	12.0	52465-3271	32
0.8	13.6	12.85	11.2	52465-3071	30
0.4	12.8	12.05	10.4	52465-2871	28
0.8	12.0	11.25	9.6	52465-2671	26
0.4	11.2	10.45	8.8	52465-2471	24
0.8	10.4	9.65	8.0	52465-2271	22
0.4	9.6	8.85	7.2	52465-2071	20
0.8	8.8	8.05	6.4	52465-1871	18
0.4	8.0	7.25	5.6	52465-1671	16
0.8	7.2	6.45	4.8	52465-1471	14
0.4	6.4	5.65	4.0	52465-1271	12
0.8	5.6	4.85	3.2	52465-1071	10
D	C	B	A	EMBOSSED TAPE PACKAGE	CKT
ORDER NO					

THIS DRAWING CONTAINS INFORMATION THAT IS PROPRIETARY TO MOLEX ELECTRONIC TECHNOLOGIES, LLC AND SHOULD NOT BE USED WITHOUT WRITTEN PERMISSION

DIMENSION UNITS	SCALE	CURRENT REV DESC:			
mm	10:1				
GENERAL TOLERANCES (UNLESS SPECIFIED)		ANGULAR TOL ± 30°			
10 ^{UNDER}		4 PLACES	± 0.2	EC NO: 750938	
10 ^{OVER} 30 ^{UNDER}		3 PLACES	± 0.25	DRWN: RAJAGN 2023/05/19	
30 ^{OVER}		2 PLACES	± 0.3	CHK'D: HSHIMUYAMA 2023/05/25	
		1 PLACE	±	APPR: YNAITO 2023/05/25	
		0 PLACES	±	INITIAL REVISION:	
DRAFT WHERE APPLICABLE MUST REMAIN WITHIN DIMENSIONS		DRAFT WHERE APPLICABLE MUST REMAIN WITHIN DIMENSIONS		DRWN: YSAKIYAMA 2004/02/23	
		THIRD ANGLE PROJECTION		APPR: MSASAO 2004/02/24	
		DRAWING	SERIES	MATERIAL NUMBER	CUSTOMER
		A3-SIZE	52465		GENERAL MARKET

molex

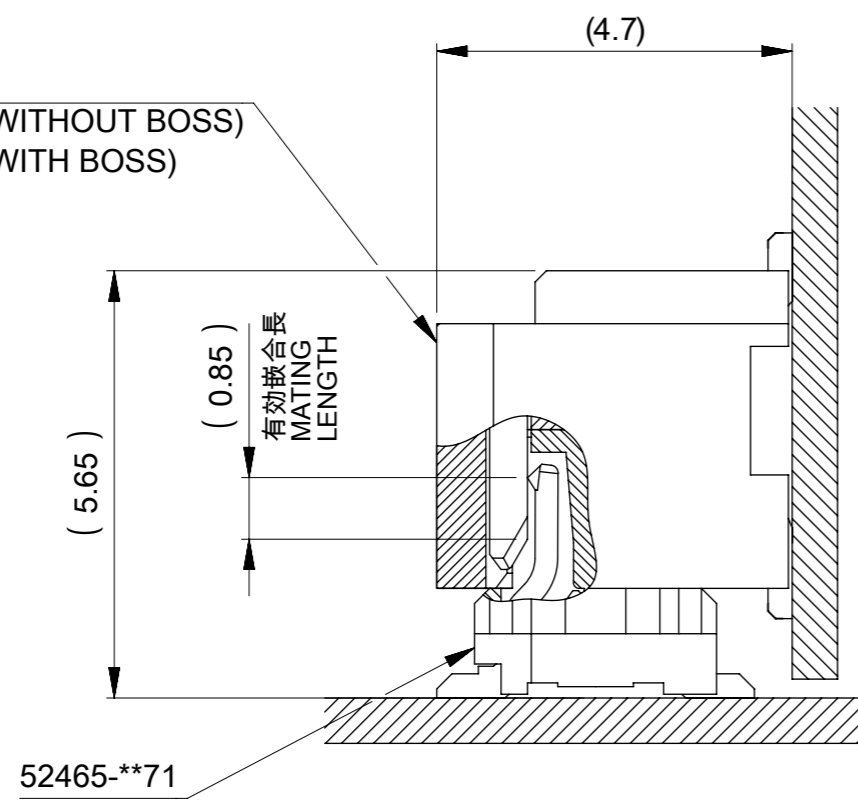
0.8 MM PITCH B-TO-B CONN. RECEPTACLE (WITHOUT BOSS)

PRODUCT CUSTOMER DRAWING

DOCUMENT NUMBER	DOC TYPE	DOC PART	REVISION
SD-52465-028	PSD	001	C

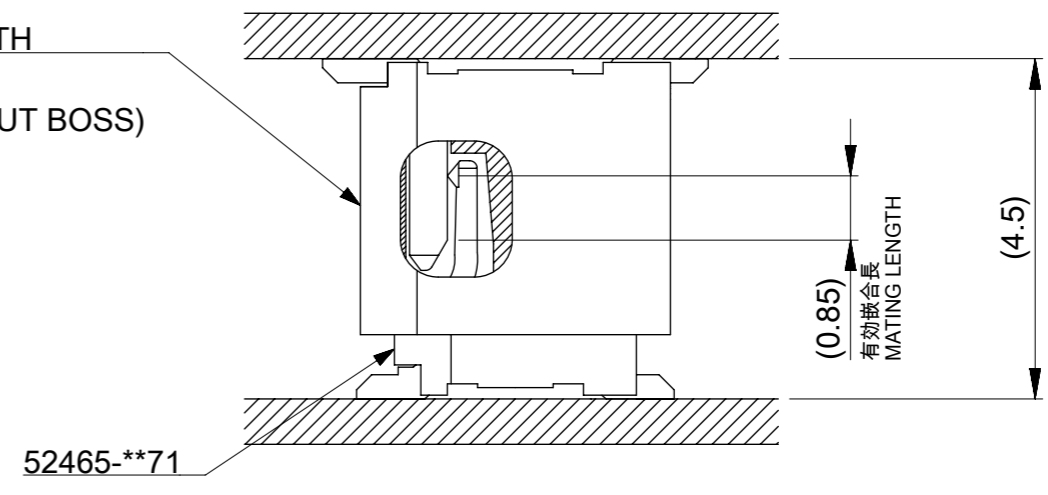
SHEET NUMBER 1 OF 2

嵌合相手 MATE WITH
53309-**70 (BOSS無し WITHOUT BOSS)
53309-**71 (BOSSあり WITH BOSS)



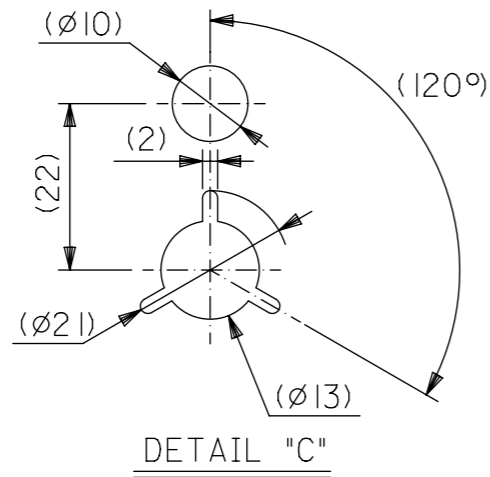
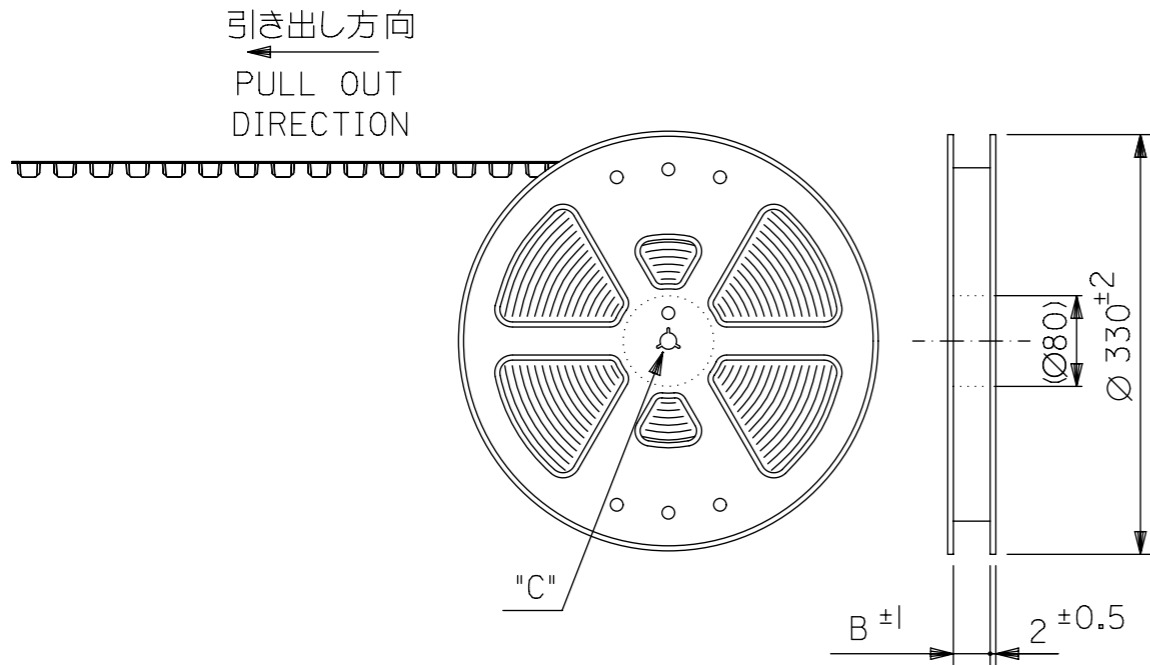
嵌合状態図 (参考)
MATED DRAWING(REF.)

嵌合相手 MATE WITH
53307-**71
(BOSS無し WITHOUT BOSS)



嵌合状態図 (参考)
MATED DRAWING(REF.)

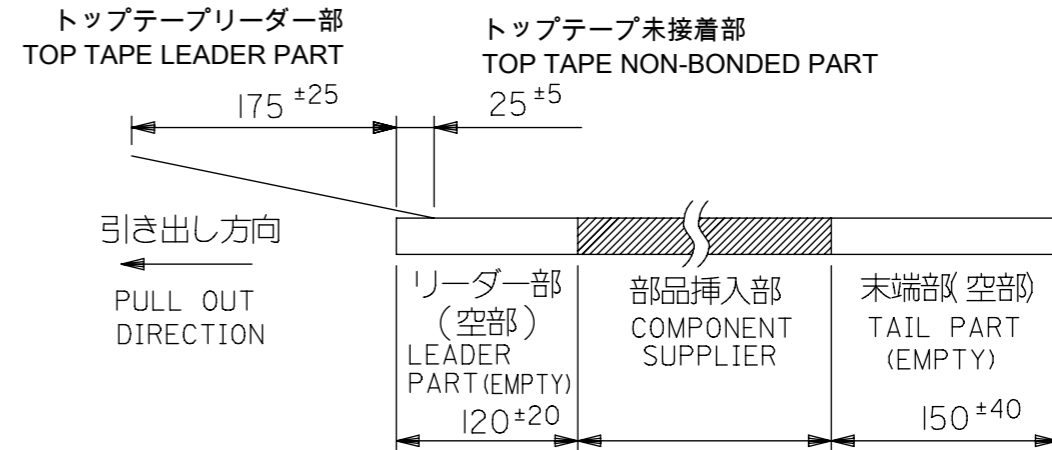
THIS DRAWING CONTAINS INFORMATION THAT IS PROPRIETARY TO MOLEX ELECTRONIC TECHNOLOGIES, LLC AND SHOULD NOT BE USED WITHOUT WRITTEN PERMISSION DIMENSION UNITS: mm SCALE: 1:1 CURRENT REV DESC:		molex 0.8 MM PITCH B-TO-B CONN. RECEPTACLE (WITHOUT BOSS)		
GENERAL TOLERANCES (UNLESS SPECIFIED) 10 ^{UNDER} : ±0.2 10 ^{OVER} 30 ^{UNDER} : ±0.25 30 ^{OVER} : ±0.3 ANGULAR±3°				EC NO: 750938 DRWN: RAJAGN CHK'D: HSHIMOYAMA APPR: YNAITO 2023/05/19 2023/05/25 2023/05/25
GENERAL TOLERANCES (UNLESS SPECIFIED) 4 PLACES: ± 0.2 3 PLACES: ± 0.25 2 PLACES: ± 0.3 1 PLACE: ± 0 PLACES: ±		INITIAL REVISION: DRWN: YSAKIYAMA APPR: MSASAO 2004/02/23 2004/02/24		PRODUCT CUSTOMER DRAWING DOCUMENT NUMBER: SD-52465-028 DOC TYPE: PSD DOC PART: 001 REVISION: C
DRAFT WHERE APPLICABLE MUST REMAIN WITHIN DIMENSIONS		DRAFT WHERE APPLICABLE MUST REMAIN WITHIN DIMENSIONS		THIRD ANGLE PROJECTION DRAWING: A3-SIZE SERIES: 52465 MATERIAL NUMBER: GENERAL MARKET CUSTOMER: GENERAL MARKET SHEET NUMBER: 2 OF 2



NOTES

1. 梱包数量 : 1000個/リール NUMBER OF CONNECTORS : 1000PCS/REEL

2. リードテープ長さ LEAD TAPE LENGTH



3. トップテープの剥離強度についてはIEC60286-3に準拠。
TOP TAPE PEEL FORCE IS DEFINED BY IEC60286-3.

4. 材料 キャリアテープ : ポリプロピレン (PP)
トップテープ : PET, PE, PEF
リール : ポリスチレン (PS) <リサイクル材を含む>

MATERIAL

CARRIER TAPE : POLYPROPYLENE

TOP TAPE : PET, PE, PEF

REEL : POLYSTYRENE (PS) < CONTAINED RECYCLE MATERIAL >

5. 本製品は52465-**91の鉛フリー品である。
THIS PRODUCT IS LEAD FREE OF 52465-**91.

THIS DRAWING CONTAINS INFORMATION THAT IS PROPRIETARY TO MOLEX ELECTRONIC TECHNOLOGIES, LLC AND SHOULD NOT BE USED WITHOUT WRITTEN PERMISSION

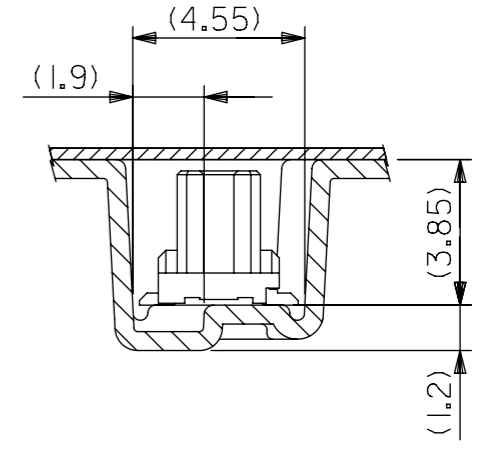
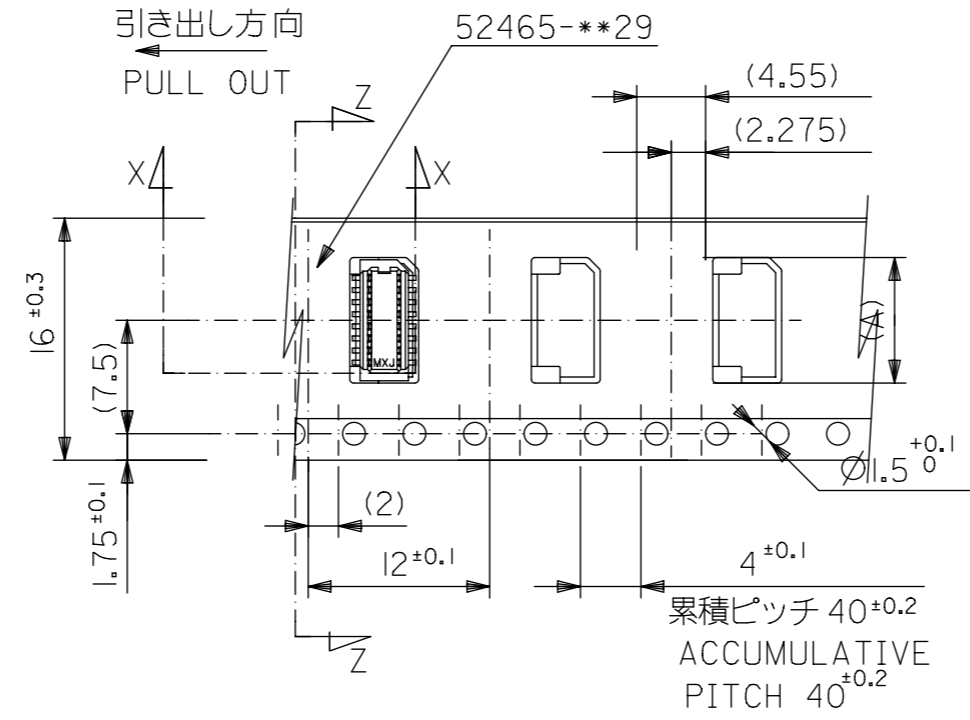
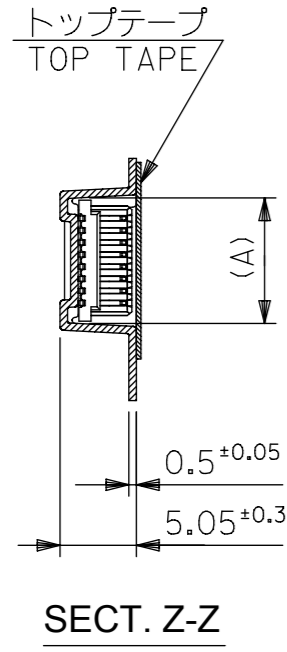
DIMENSION UNITS	SCALE	CURRENT REV DESC:	
mm	NTS		
GENERAL TOLERANCES (UNLESS SPECIFIED)		EC NO: 653700	
ANGULAR TOL ±		DRWN: AHMADI2	2021/02/02
4 PLACES	±	CHK'D: HSHIMOYAMA	2021/02/26
3 PLACES	±	APPR: SHOSHIKAWA	2021/02/26
2 PLACES	±	INITIAL REVISION:	
1 PLACE	±	DRWN: YSAKIYAMA	2004/02/23
0 PLACES	±	APPR: MSASAO	2004/02/24
DRAFT WHERE APPLICABLE MUST REMAIN WITHIN DIMENSIONS		THIRD ANGLE PROJECTION	DRAWING
			A3-SIZE
		SERIES	52465
		MATERIAL NUMBER	GENERAL MARKET
		CUSTOMER	1 OF 3

molex

0.8 MM PITCH B-TO-B CONN.
RECEPTACLE (WITHOUT BOSS) EMBOSS TAPE
PACKAGE

PRODUCT CUSTOMER DRAWING

DOCUMENT NUMBER	DOC TYPE	DOC PART	REVISION
SD-52465-029	PSD	001	A

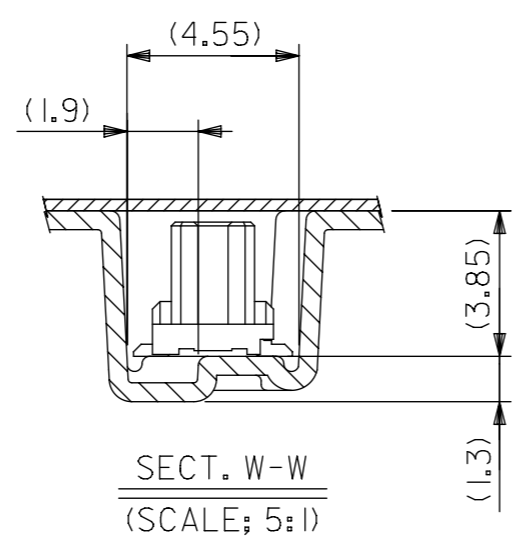
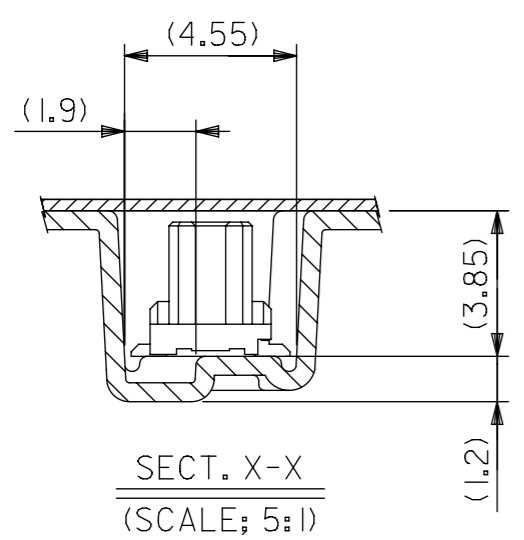
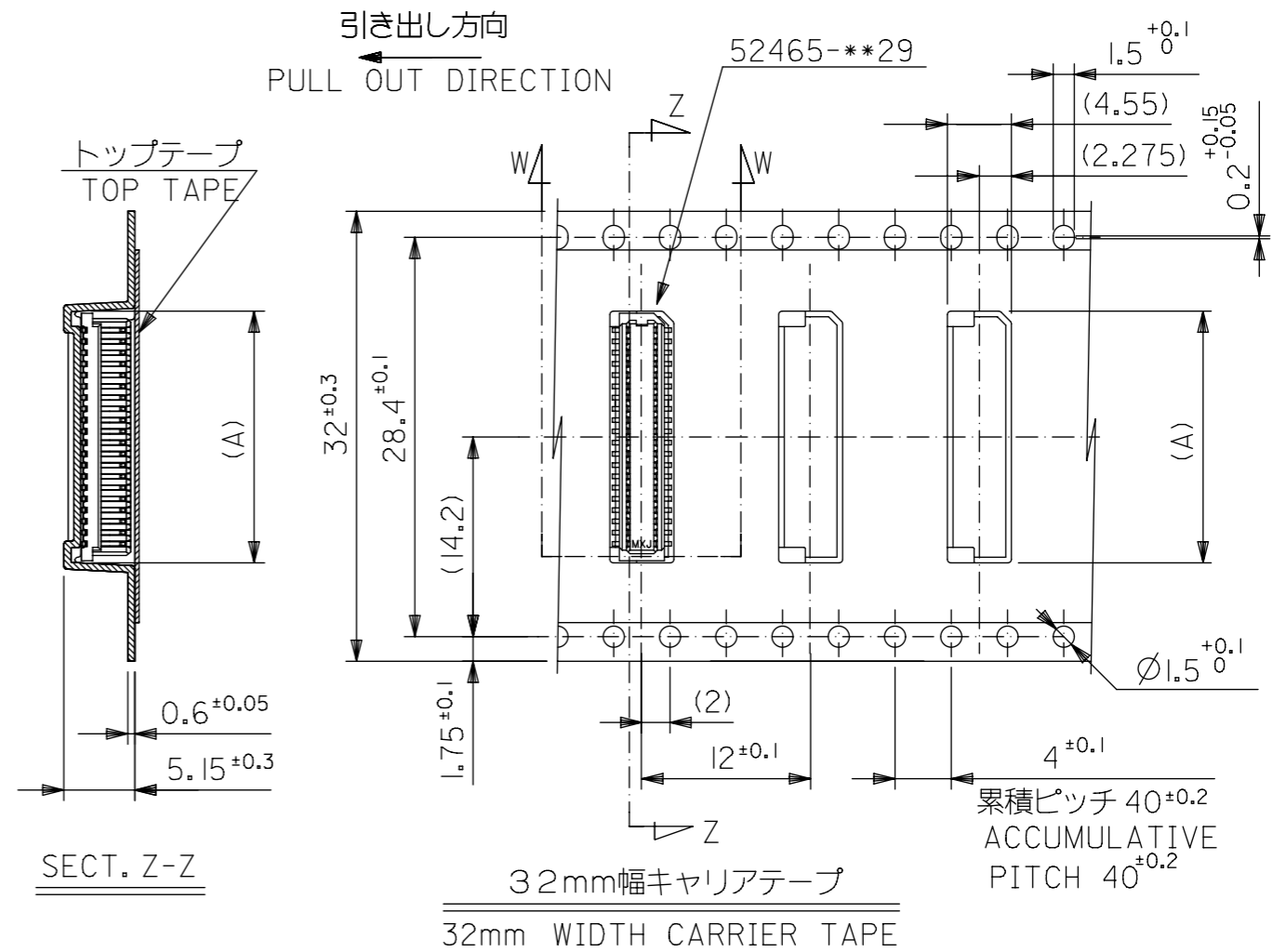
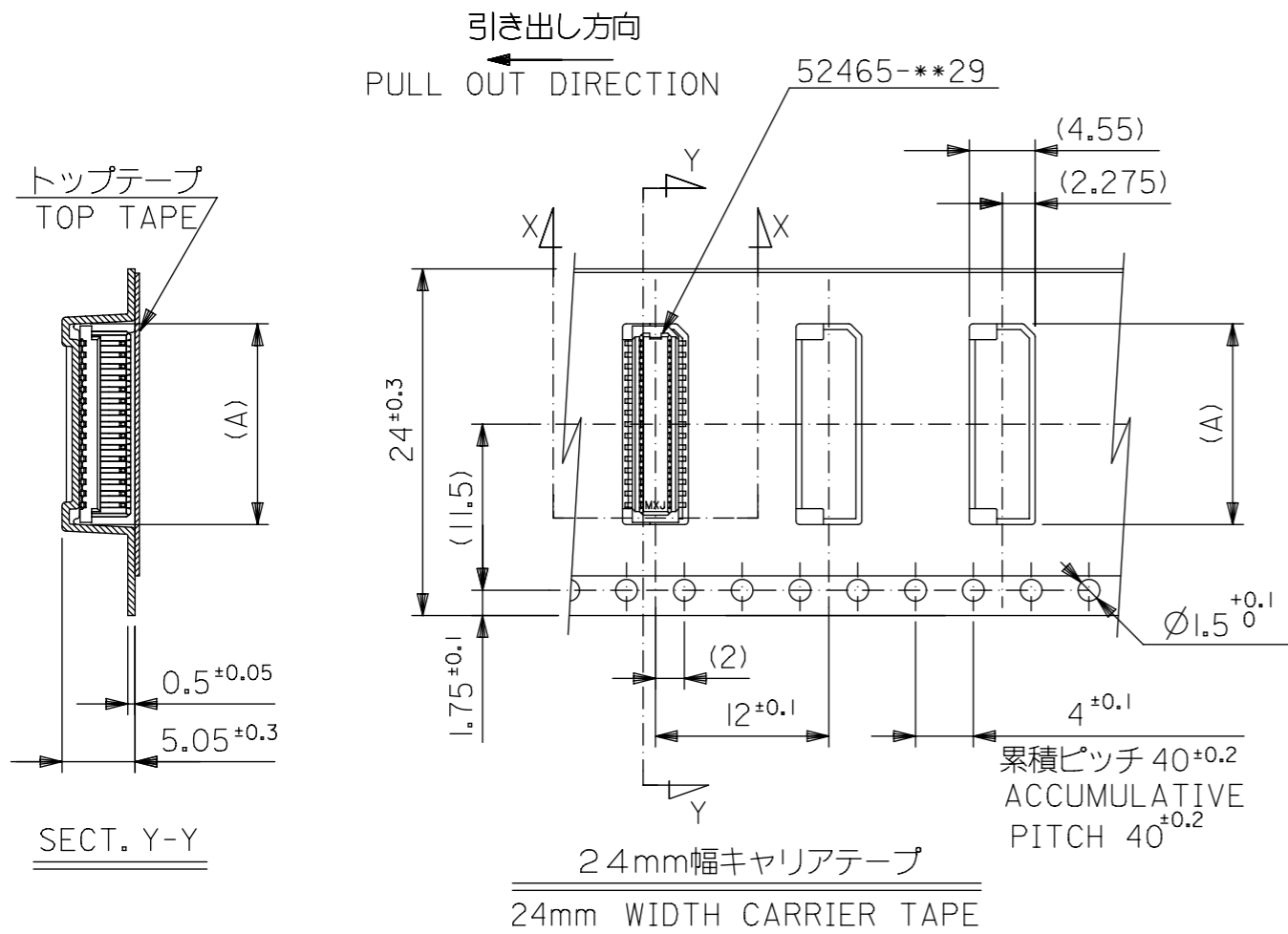


16mm幅キャリアテープ
16mm WIDTH CARRIER TAPE

16	17.5	9.1	52465-1871	18	
		8.3	52465-1671	16	
		7.5	52465-1471	14	
		6.7	52465-1271	12	
		5.9	52465-1071	10	
キャリアテープ幅 CARRIER TAPE WIDTH		B	(A)	EMBOSSED TAPE PACKAGE	極数 CIRCUITS
				ORDER NO	

THIS DRAWING CONTAINS INFORMATION THAT IS PROPRIETARY TO MOLEX ELECTRONIC TECHNOLOGIES, LLC AND SHOULD NOT BE USED WITHOUT WRITTEN PERMISSION

DIMENSION UNITS mm	SCALE NTS	CURRENT REV DESC.	molex		
GENERAL TOLERANCES (UNLESS SPECIFIED)		EC NO: 653700	0.8 MM PITCH B-TO-B CONN. RECEPTACLE (WITHOUT BOSS) EMBOSS TAPE PACKAGE		
ANGULAR TOL ±		DRWN: AHMADI2	PRODUCT CUSTOMER DRAWING		
4 PLACES ±		CHK'D: HSHIMOHAMA	DOCUMENT NUMBER		
3 PLACES ±		APPR: SHOSHIKAWA	SD-52465-029		
2 PLACES ±		INITIAL REVISION:	DOC TYPE		
1 PLACE ±		DRWN: YSAKIYAMA	PSD		
0 PLACES ±		APPR: MSASAO	DOC PART		
DRAFT WHERE APPLICABLE MUST REMAIN WITHIN DIMENSIONS		THIRD ANGLE PROJECTION	REVISION		
		DRAWING	A		
		SERIES	SHEET NUMBER		
		MATERIAL NUMBER	2 OF 3		
		CUSTOMER	GENERAL MARKET		



32	33.5	17.9	52465-4071	40
24	25.5	16.3	52465-3671	36
		14.7	52465-3271	32
		13.9	52465-3071	30
		13.1	52465-2871	28
		12.3	52465-2671	26
		11.5	52465-2471	24
		10.7	52465-2271	22
		9.9	52465-2071	20
キャリアテープ幅 CARRIER TAPE WIDTH	B	(A)	EMBOSSED TAPE PACKAGE	極数 CIRCUITS
			ORDER NO	

THIS DRAWING CONTAINS INFORMATION THAT IS PROPRIETARY TO MOLEX ELECTRONIC TECHNOLOGIES, LLC AND SHOULD NOT BE USED WITHOUT WRITTEN PERMISSION

DIMENSION UNITS	SCALE	CURRENT REV DESC:	molex		
mm	NTS				
GENERAL TOLERANCES (UNLESS SPECIFIED)		EC NO: 653700	0.8 MM PITCH B-TO-B CONN. RECEPTACLE (WITHOUT BOSS) EMBOSS TAPE PACKAGE		
ANGULAR TOL ±		DRWN: AHMADI2			
4 PLACES ±		2021/02/02	PRODUCT CUSTOMER DRAWING		
3 PLACES ±		CHK'D: HSHIMOYAMA			
2 PLACES ±		APPR: SHOSHIKAWA	DOCUMENT NUMBER	DOC TYPE	DOC PART
1 PLACE ±		INITIAL REVISION:	SD-52465-029	PSD	001
0 PLACES ±		DRWN: YSAKIYAMA	MATERIAL NUMBER	CUSTOMER	REVISION
		APPR: MSASAO	52465	GENERAL MARKET	A
DRAFT WHERE APPLICABLE MUST REMAIN WITHIN DIMENSIONS	DRAFT WHERE APPLICABLE MUST REMAIN WITHIN DIMENSIONS	THIRD ANGLE PROJECTION	DRAWING	SHEET NUMBER	
			A3-SIZE	3 OF 3	