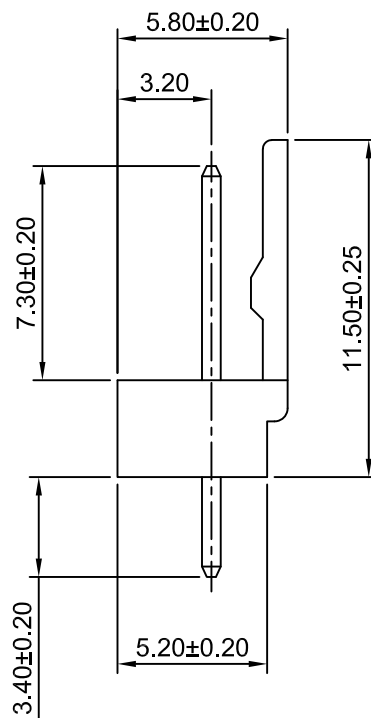
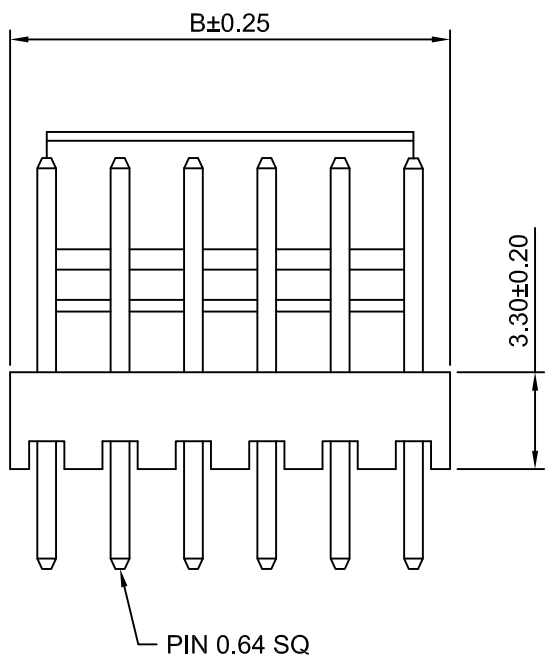


P.C.B LAYOUT



Ordering Information:

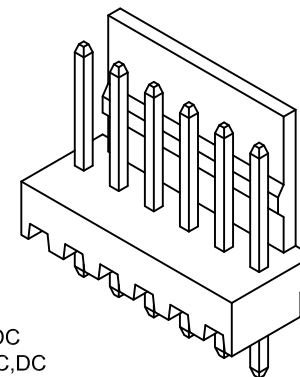
C2504WV-XP - \*\*\*  
1 2

1.Part NO.

2.Finish:

(Blank): Tin over Nickel

G: Gold over Nickel



SPECIFICATIONS:

Current Rating: 3A AC,DC

Voltage Rating: 250V AC,DC

Temperature Range: -40°C ~ +105°C

Contact Resistance: 20mΩ Max

Insulation Resistance: 1000MΩ Min

Withstanding Voltage: 1000V AC/minute

Pin Material:Brass

Material: Nylon 66,UL94V-0(White)

Ordering Information & Dimensions

Circuits	Dimensions(mm)		Circuits	Dimensions(mm)	
	A	B		A	B
2P	2.50	5.00	12P	27.50	30.00
3P	5.00	7.50	13P	30.00	32.50
4P	7.50	10.00	14P	32.50	35.00
5P	10.00	12.50	15P	35.00	37.50
6P	12.50	15.00	16P	37.50	40.00
7P	15.00	17.50	17P	40.00	42.50
8P	17.50	20.00	18P	42.50	45.00
9P	20.00	22.50	19P	45.00	47.50
10P	22.50	25.00	20P	47.50	50.00
11P	25.00	27.50			

**CJTconn**

CHANGJIANG CONNECTORS CO.,LTD.

Unit	Scale	Sheet
mm	4:1	1 of 1
DRAWN	CHK'D	APPR
Zhen Shi	Diankui Wan	Jack Yin

TITLE  
**2.50mm PITCH  
VERTICAL WAFER**

General Tolerances	THIRD ANGLE PROJECTION
x.xx±0.25	
x.xxx±0.20	
x.xxxx±0.15	
ANGLES ±1°	

DRAWING NO.	REV
C2504WV-XP	A1

A1	CHANGE THE DRAWING	2017.02.14
A0	NEW RELEASE	2005.05.10
REV	DESCRIPTION	DATE