

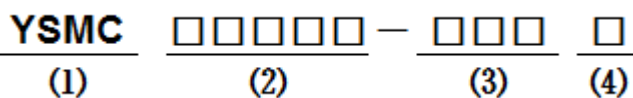
■ Features

- Molding Inductor.
- Low Profile,Low Temp.
- Large Current(Over 15A).
- Customize For Different Need.
- Operating temperature:-40°C ~ +125°C.

■ Applications

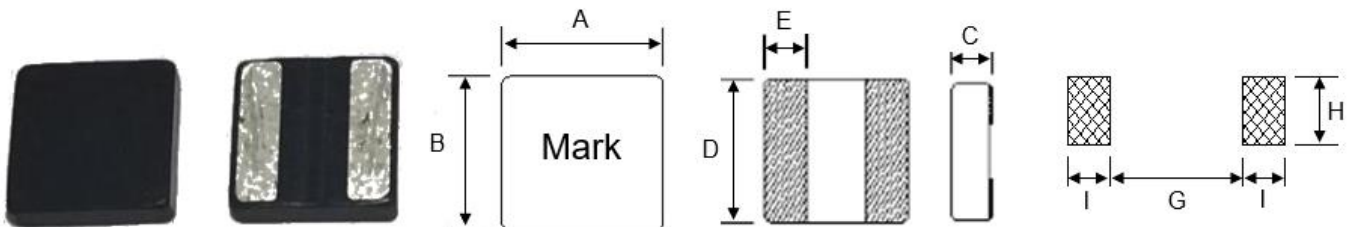
- General Electronic.
- Video Device,TV,TFT.
- Power Module for PC.
- NB/Lap Top Computer.
- Server,VGA Card/Module.

■ Product Identification



- (1) : Type
- (2) : Dimensions
- (3) : Inductance value
- (4) : Inductance Tolerance : N=±30%,M=±20%

■ Shapes and Dimensions (Unit: mm)



TYPE	A	B	C Max.	D	E	G Ref.	H Ref.	I Ref.
YSMC322512V	3.2±0.2	2.5±0.2	1.2	2.5±0.2	1.0±0.2	1.1	2.8	1.2

■ YSMC322512V Series

Part Number	Inductance (uH) @100KHz	DC Resistance (mΩ)		Heat Rating Current (A)	Saturation Current (A)
		Typ.	Max.		
YSMC322512V-R10M	0.10±20%	10.5	13.0	8.5	16.0
YSMC322512V-R22M	0.22±20%	10.8	14.0	8.0	14.0
YSMC322512V-R47M	0.47±20%	20.0	24.0	6.0	12.0
YSMC322512V-R56M	0.56±20%	25.0	30.0	5.0	10.0
YSMC322512V-R68M	0.68±20%	26.0	32.0	4.5	8.0
YSMC322512V-1R0M	1.0±20%	29.0	35.0	4.0	7.0
YSMC322512V-1R5M	1.5±20%	47.0	62.0	3.5	6.0
YSMC322512V-2R2M	2.2±20%	66.0	75.0	3.0	4.5
YSMC322512V-3R3M	3.3±20%	103.0	127.0	2.5	3.5
YSMC322512V-4R7M	4.7±20%	159.0	192.0	2.0	3.0
YSMC322512V-100M	10±20%	291.0	322.0	1.8	2.5

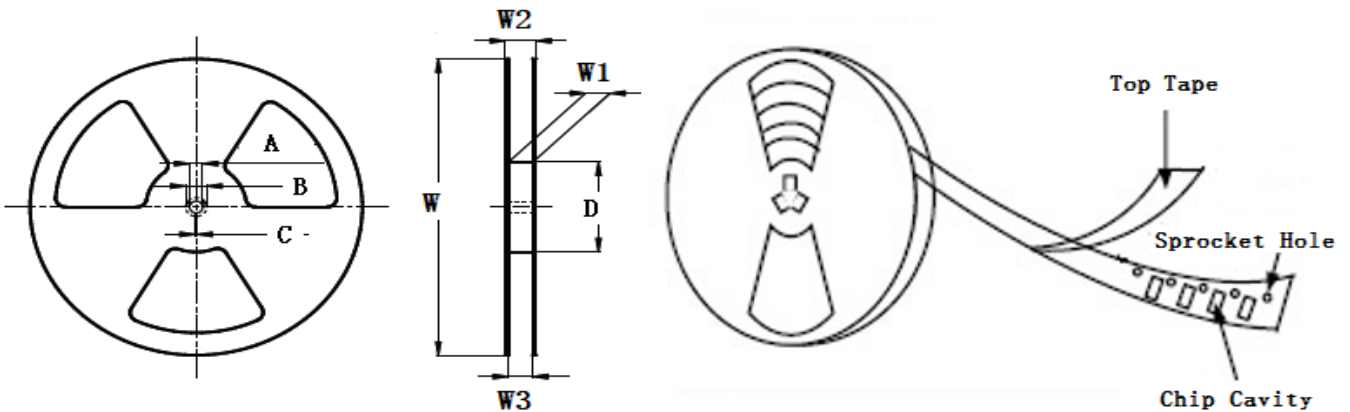
- ※ The saturation current value is the DC current value having inductance decrease down to 30%.(at 20°C)
- ※ The temperature rise current value is the DC current value having temperature increase up to 40°C. (at 20°C)
- ※ The rated current is the DC current value that satisfies both of current value saturation current value and temperature rise current value.

■ Taping Dimensions(Unit:mm)



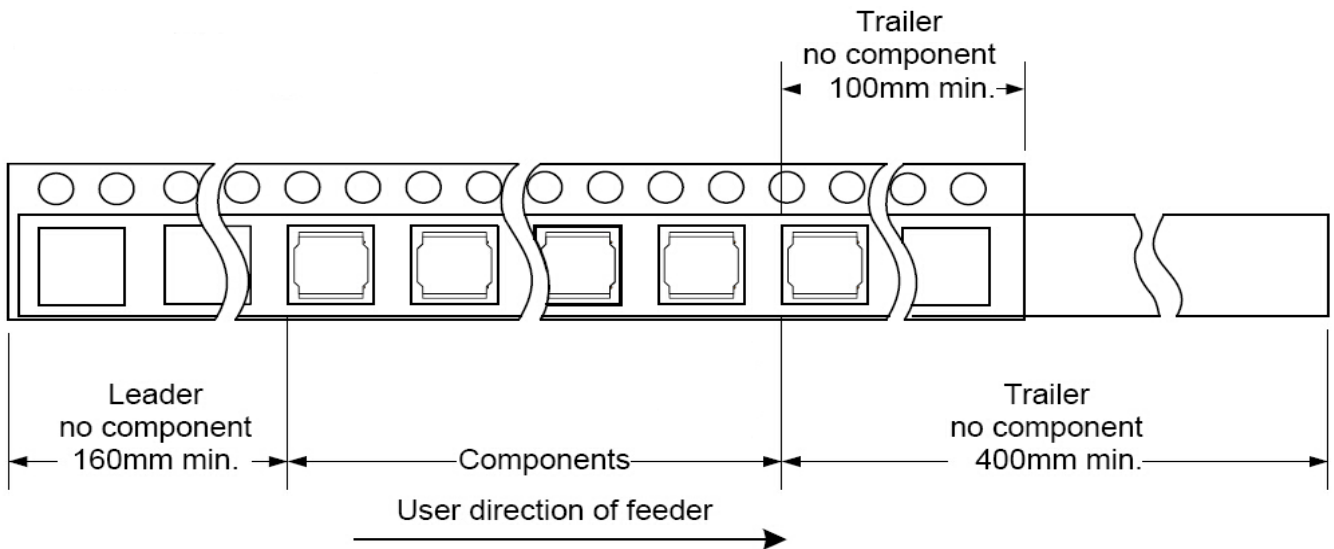
TYPE	W	A	B	C	D	E	P	K Ref	T	MPQ
YSMC322512V	12±0.3	4.3±0.1	5.10±0.1	4.75	5.5±0.1	2.1±0.1	8±0.1	2.2	0.30±0.05	3000

■ Reel Dimensions(Unit:mm)



TYPE	W	W1	W2	W3	A	B	C	D
YSMC322512V	330±2.0	12.4±1.50	18.4MAX	11.9Min	13.0±0.50	21.0±0.80	2.0±0.50	100 Min

Direction of rolling



Cover tape peel off condition



Cover tape peel force shall be 0.1N to 1.3N.

Reference peel speed 300±10mm/min.