

**10.0A FAST RECOVERY RECTIFIER BRIDGE**  
**RECTIFIER Reverse Voltage – 600 to 1000 V**  
**Forward Current – 10.0A**

**FEATURES**

- ♦Ultrason soft recovery
- ♦LOW I<sub>RRM</sub>, LOW V<sub>F</sub>, LOW V<sub>RRM</sub>
- ♦Glass Passivated Chip Junction
- ♦Special frame design for heat dissipation
- ♦Lead free in comply with EU RoHS 2011/65/EU directives

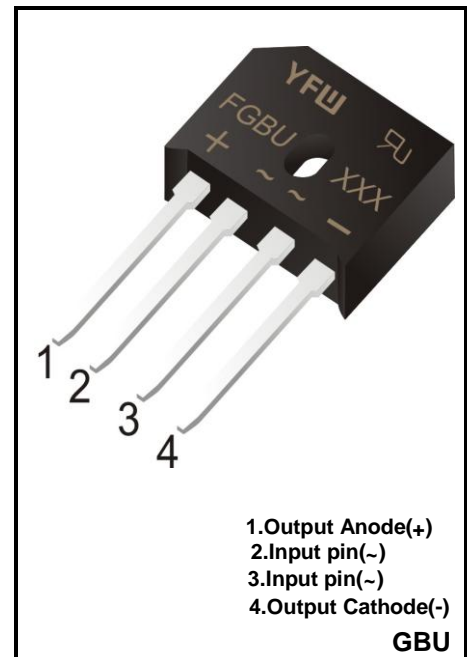


**BENEFITS**

- ♦Reduced EMI
- ♦Reduced Power loss and switching transistor
- ♦Reduced snubbing

**MECHANICAL DATA**

- ♦Case: GBU
- ♦Terminals: Solderable per MIL-STD-750, Method 2026
- ♦Approx. Weight: 3.9g /0.138oz



**Maximum Ratings and Electrical characteristics**

Ratings at 25 °C ambient temperature unless otherwise specified.

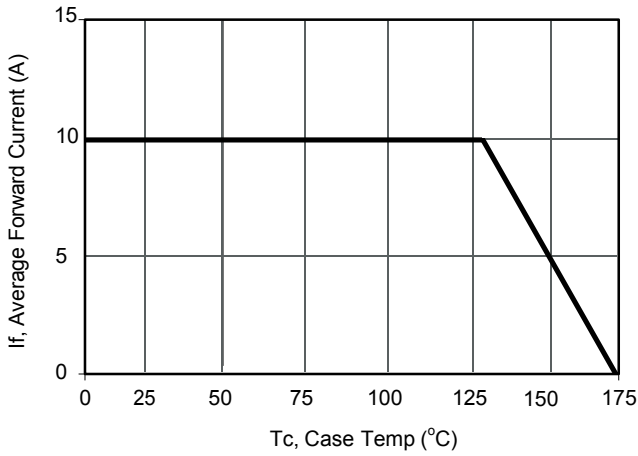
Single phase half-wave 60 Hz, resistive or inductive load, for capacitive load current derate by 20 %.

Parameter	Symbols	FGBU1006	FGBU1008	FGBU1010	Units
Maximum Repetitive Peak Reverse Voltage	V <sub>RRM</sub>	600	800	1000	V
Maximum RMS voltage	V <sub>RMS</sub>	420	560	700	V
Maximum DC Blocking Voltage	V <sub>DC</sub>	600	800	1000	V
Average Rectified Output Current	I <sub>o</sub>	10.0			A
Reverse Recovery Time.IF=0.5A,IR=1A,IRR=0.25A	T <sub>rr</sub>	500			nS
Peak Forward Surge Current 8.3 ms Single Half Sine-Wave Superimposed on Rated Load(JEDEC method)	I <sub>FSM</sub>	220			A
I <sup>2</sup> t Rating for Fusing(1ms≤t≤10ms)	I <sup>2</sup> t	300			A <sup>2</sup> S
Maximum Forward Voltage at 5.0 A	V <sub>F</sub>	1.0			V
Maximum DC Reverse Current at Rated DC Blocking Voltage	I <sub>R</sub>	5 100			uA
Typical Junction Capacitance (Note1)	C <sub>j</sub>	50			pF
Operating and Storage Temperature Range	T <sub>j</sub> , T <sub>stg</sub>	-55 ~ +175			°C

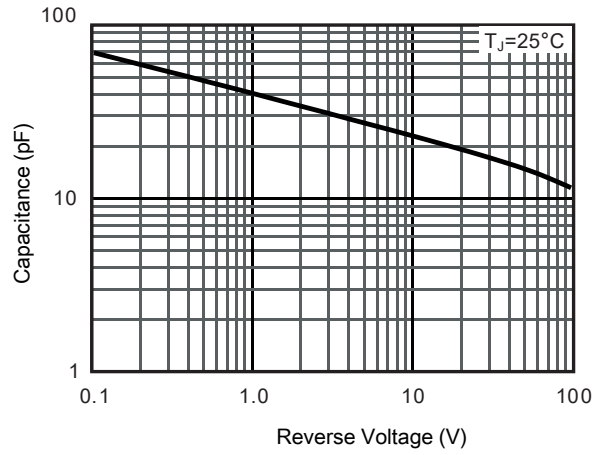
**Note:** 1. Measured at 1MHz and applied reverse voltage of 4 V D.C.

2. Mounted on glass epoxy PC board with 4×1.5"×1.5" ( 3.81×3.81 cm ) copper pad.

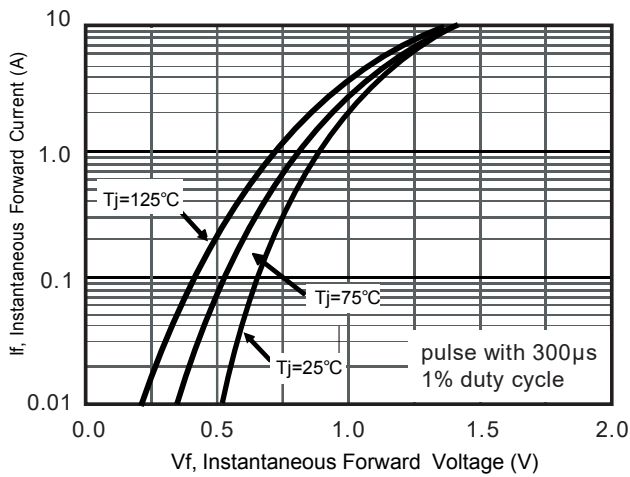
**RATINGS AND CHARACTERISTICS CURVES** (TA = 25 °C unless otherwise noted)



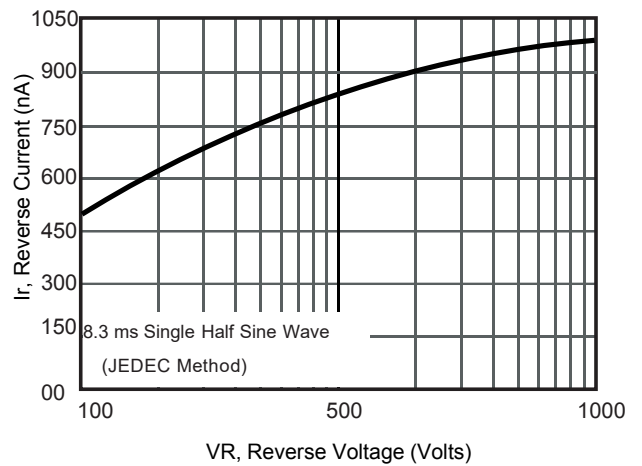
Current Derating, Case



Typical Junction Capacitance



Typical Forward Voltage



Typical Reverse Current

