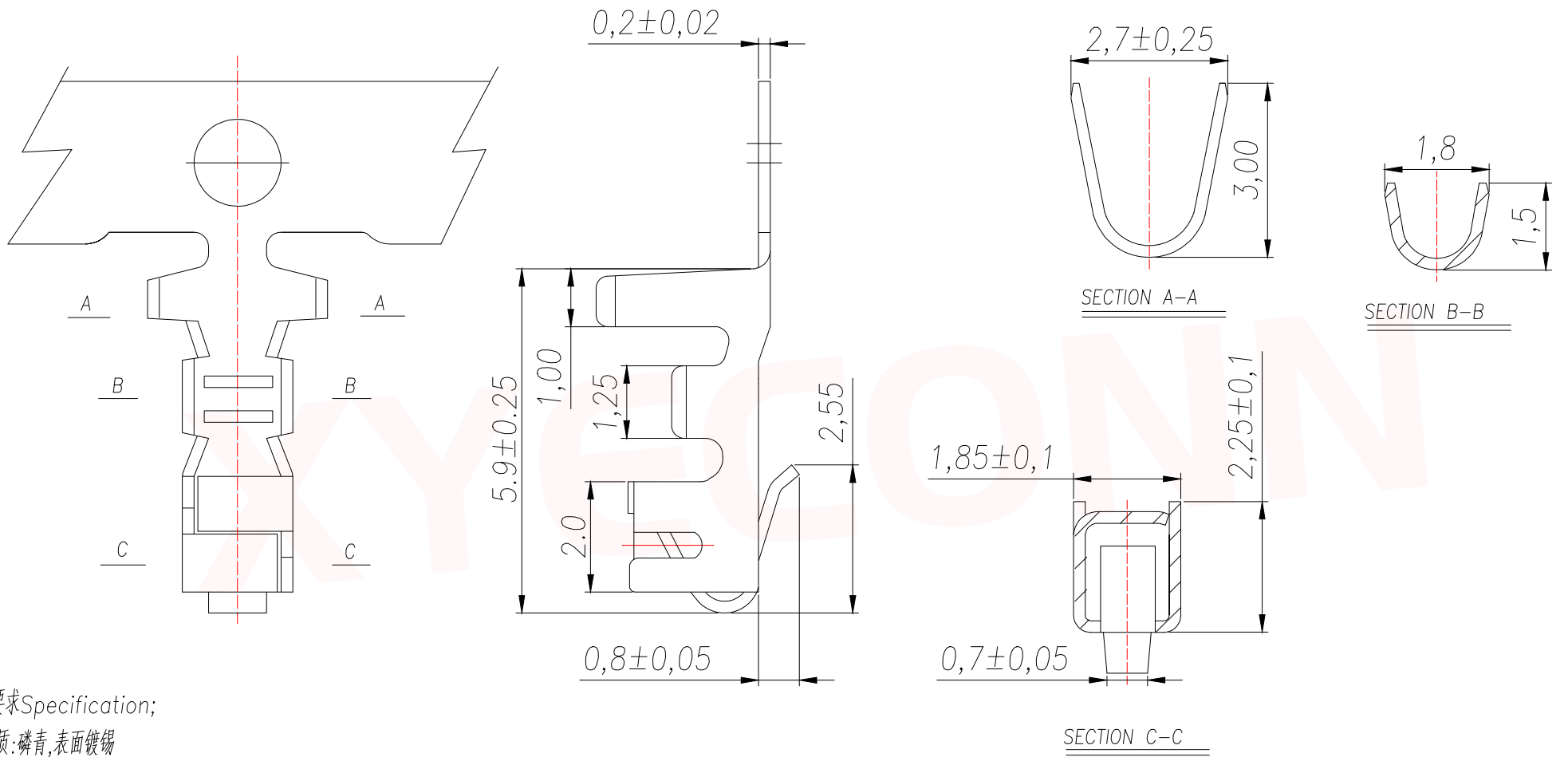


REV.	Q'TY	ECN. NO.	APR.	DATE



技术要求 Specification;

1、材质:磷青,表面镀锡

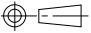
Material: Phos. Bronze Tin-Plated

2、适用线规: AWG#30 to #22 Applicable

wire: AWG#30 to #22

3、零件外观不得有有害毛刺、尖角、锐边和机械损伤;表面镀层应均匀、光亮、无雾斑、剥层等缺陷:

Parts may not have the appearance of harmful burrs, sharp corners, sharp edges and mechanical damage, surface coating should be uniform, bright, no fog spots, delamination and other defects.

DIMENSION IN mm		厦门市辛译精密电子有限公司 Xiamen XinYi Xyconn Electronics Co.,Ltd			
TOLERANCE UNLESS OTHERWISE SPECIFIED					
.X±0.35	X.*± 5'	APR.	Alex	TITLE: HA2.5MM TERMINAL	
.XX±0.25	.X.*± 3'	CHK.	Jack	DWG NO. XY-XHB2.54-31	
.XXX±0.15	.XX.*± 1'	DRA.	Can	PROJ. 	CUSTOMER DRAWING
		SIZE A4	SCALE 1:1	SHEET 1/1	REV. A