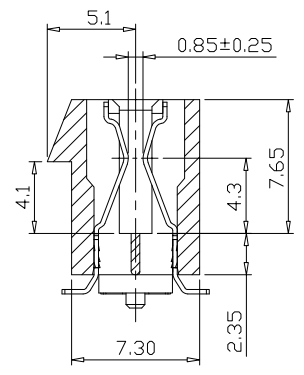
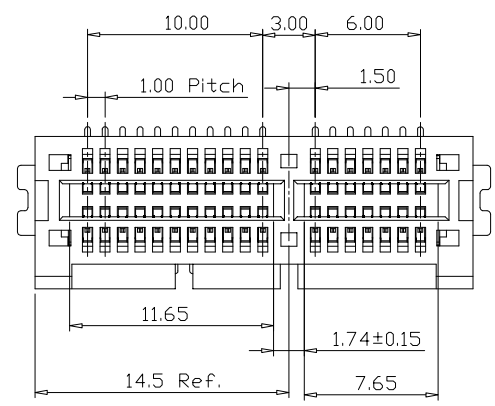


REV.	DESCRIPTION	ECN/NO.	DATE
A0	NEW ISSUE		2019/4/24



SECTION A-A

\*Material:

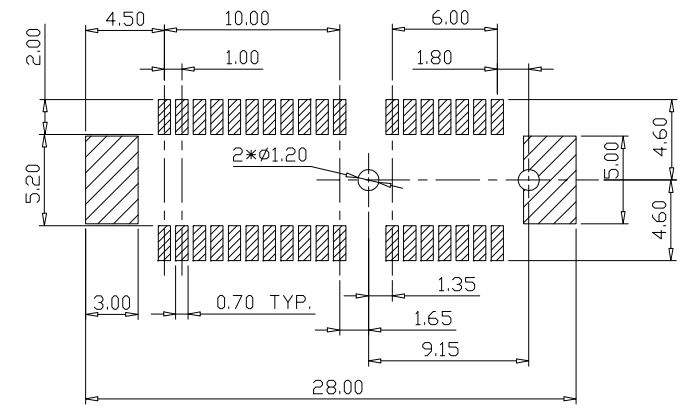
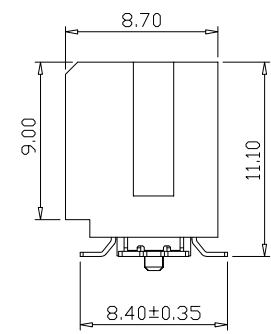
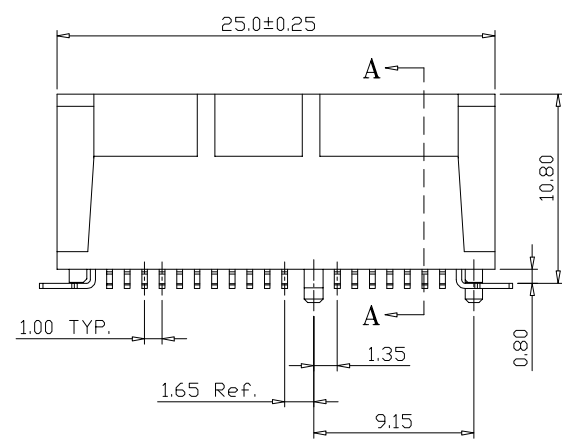
- 1.Housing: LCP+30%G/F,Black,UL94 V-0;
- 2.Terminal: Copper Alloy,T=0.25mm;  
Finish: Gold in contact area;  
80u" Min Tin in solder area;  
50u" MIN.NICKEL UNDERPLATING OVER ALL.
- 3.Latch: Copper Alloy,T=0.30mm;  
Finish: Sn 100u" Min. and 50u" MIN. NICKEL  
UNDER PLATING OVER ALL.

\*Electrical Characteristics:

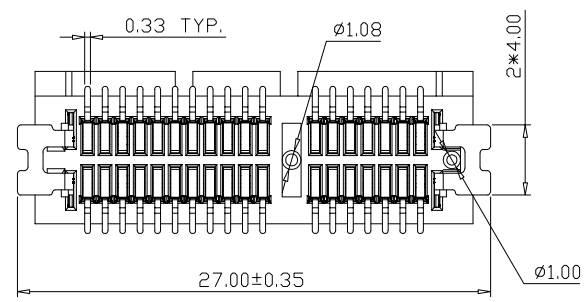
- 1>Contact Resistance: 30mΩ Max.
- 2:Insulation Resistance: 1000MΩ Min.
- 3:Dielectric Strength: 500V DC/1MIN.
- 4.Contact Current rating: 1.1 A Per Pin Min.

\*Mechanical Characteristics:

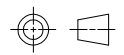
- 1:Insertion Force: 1.15N per contact pair Max.
- 2:Extraction Force: 0.15N per contact pair Min.
- 3.Durability rating:50 Cycles



RECOMMENDED PCB LAYOUT  
(COMPONENT SIDE)TOLERANCE: ±0.05



# 深圳市连欣科技有限公司



公差参考表			产品名称	PCIE 36PIN 立式SMT贴片 带接地片			
X.	±0.35	ANGLE	产品编号	XDMP-052-0360			
X.X	±0.25	X°	核准	版本	A0	单位	
X.XX	±0.15	X.X°	审核	单重		比例	
X.XXX	±0.050	X.XX°	制图	于中	模号	3801-25	页数