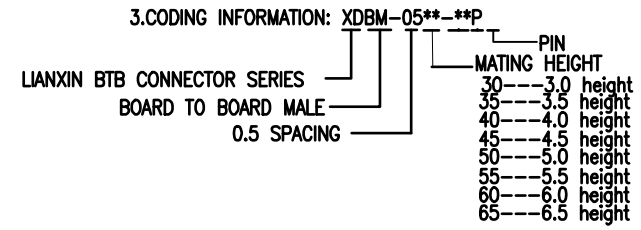


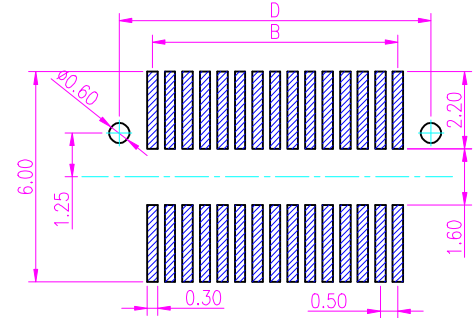
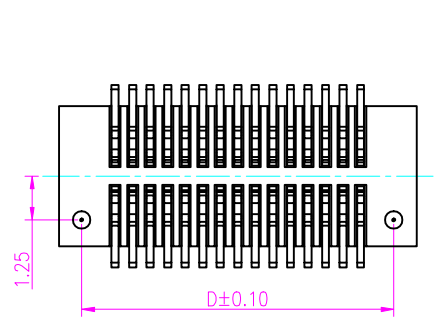
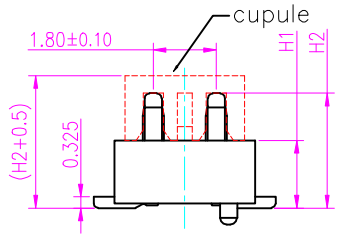
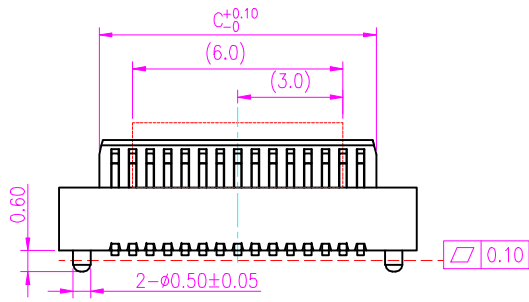
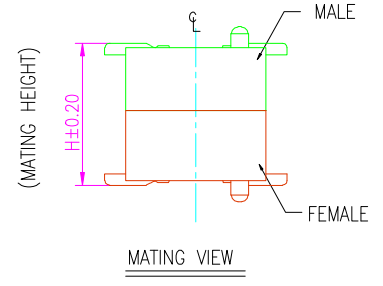
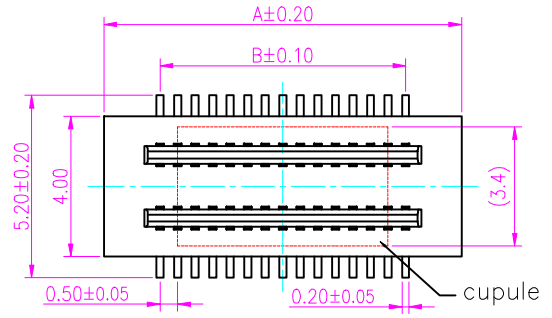
1 2 3 4 5 6 7 8 9 0

NOTES:

- 1.HOUSING: HIGH-TEMP THERMOPLASTIC UL94V-0 COLOR:BLACK
- 2.TERMINAL:PHOSPHOR BRONZE
PLATING:1μ" GOLD FLASH-OVERALL 50~100μ" NICKEL UNDER PLATED.
- 3.CODING INFORMATION: XDBM-05**-**P



| | | | | | | | | |
|---------------|-------------|-------|-------|-------|-------|-------|-------|-------|
| MATING HEIGHT | 3.0 | 3.5 | 4.0 | 4.5 | 5.0 | 5.5 | 6.0 | 6.5 |
| MALE H1 | 0.925 | 1.425 | 1.925 | 1.025 | 1.525 | 2.025 | 2.525 | 3.025 |
| FEMALE H2 | 2.125 3.525 | | | | | | | |
| MALE H2 | 2.275 | 2.775 | 3.275 | 2.925 | 3.425 | 3.925 | 4.425 | 4.925 |



| No. of contacts | Dimensions | | | | No. of contacts | Dimensions | | | |
|-----------------|------------|------|------|------|-----------------|------------|------|------|------|
| | A | B | C | D | | A | B | C | D |
| 2*4 | 4.7 | 1.5 | 2.4 | 3.4 | 2*33 | 19.2 | 18.0 | 16.9 | 17.9 |
| 2*5 | 5.2 | 2.0 | 2.9 | 3.9 | 2*34 | 19.7 | 18.5 | 17.4 | 18.4 |
| 2*6 | 5.7 | 2.5 | 3.4 | 4.4 | 2*35 | 20.2 | 17.0 | 17.9 | 18.9 |
| 2*7 | 6.2 | 3.0 | 3.9 | 4.9 | 2*36 | 20.7 | 17.5 | 18.4 | 19.4 |
| 2*8 | 6.7 | 3.5 | 4.4 | 5.4 | 2*37 | 21.2 | 18.0 | 18.9 | 19.9 |
| 2*9 | 7.2 | 4.0 | 4.9 | 5.9 | 2*38 | 21.7 | 18.5 | 19.4 | 20.4 |
| 2*10 | 7.7 | 4.5 | 5.4 | 6.4 | 2*39 | 22.2 | 19.0 | 19.9 | 20.9 |
| 2*11 | 8.2 | 5.0 | 5.9 | 6.9 | 2*40 | 22.7 | 19.5 | 20.4 | 21.4 |
| 2*12 | 8.7 | 5.5 | 6.4 | 7.4 | 2*41 | 23.2 | 20.0 | 20.9 | 21.9 |
| 2*13 | 9.2 | 6.0 | 6.9 | 7.9 | 2*42 | 23.7 | 20.5 | 21.4 | 22.4 |
| 2*14 | 9.7 | 6.5 | 7.4 | 8.4 | 2*43 | 24.2 | 21.0 | 21.9 | 22.9 |
| 2*15 | 10.2 | 7.0 | 7.9 | 8.9 | 2*44 | 24.7 | 21.5 | 22.4 | 23.4 |
| 2*16 | 10.7 | 7.5 | 8.4 | 9.4 | 2*45 | 25.2 | 22.0 | 22.9 | 23.9 |
| 2*17 | 11.2 | 8.0 | 8.9 | 9.9 | 2*46 | 25.7 | 22.5 | 23.4 | 24.4 |
| 2*18 | 11.7 | 8.5 | 9.4 | 10.4 | 2*47 | 26.2 | 23.0 | 23.9 | 24.9 |
| 2*19 | 12.2 | 9.0 | 9.9 | 10.9 | 2*48 | 26.7 | 23.5 | 24.4 | 25.4 |
| 2*20 | 12.7 | 9.5 | 10.4 | 11.4 | 2*49 | 27.2 | 24.0 | 24.9 | 25.9 |
| 2*21 | 13.2 | 10.0 | 10.9 | 11.9 | 2*50 | 27.7 | 24.5 | 25.4 | 26.4 |
| 2*22 | 13.7 | 10.5 | 11.4 | 12.4 | 2*51 | 28.2 | 25.0 | 25.9 | 26.9 |
| 2*23 | 14.2 | 11.0 | 11.9 | 12.9 | 2*52 | 28.7 | 25.5 | 26.4 | 27.4 |
| 2*24 | 14.7 | 11.5 | 12.4 | 13.4 | 2*53 | 29.2 | 26.0 | 26.9 | 27.9 |
| 2*25 | 15.2 | 12.0 | 12.9 | 13.9 | 2*54 | 29.7 | 26.5 | 27.4 | 28.4 |
| 2*26 | 15.7 | 12.5 | 13.4 | 14.4 | 2*55 | 30.2 | 27.0 | 27.9 | 28.9 |
| 2*27 | 16.2 | 13.0 | 13.9 | 14.9 | 2*56 | 30.7 | 27.5 | 28.4 | 29.4 |
| 2*28 | 16.7 | 13.5 | 14.4 | 15.4 | 2*57 | 31.2 | 28.0 | 28.9 | 29.9 |
| 2*29 | 17.2 | 14.0 | 14.9 | 15.9 | 2*58 | 31.7 | 28.5 | 29.4 | 30.4 |
| 2*30 | 17.7 | 14.5 | 15.4 | 16.4 | 2*59 | 32.2 | 29.0 | 29.9 | 30.9 |
| 2*31 | 18.2 | 15.0 | 15.9 | 16.9 | 2*60 | 32.7 | 29.5 | 30.4 | 31.4 |
| 2*32 | 18.7 | 15.5 | 16.4 | 17.4 | | | | | |

RECOMMENDED PCB PATTERN DIM.

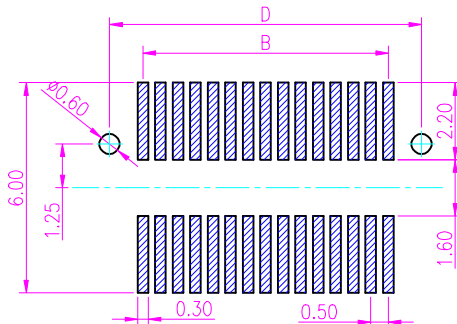
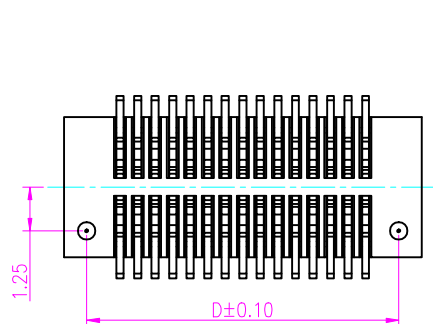
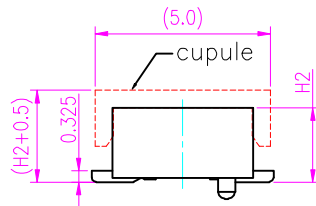
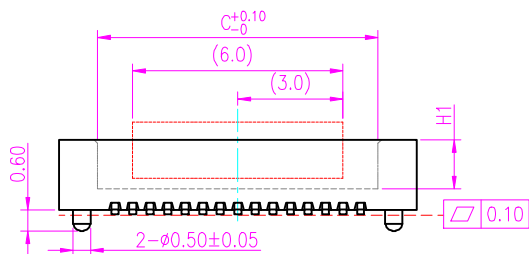
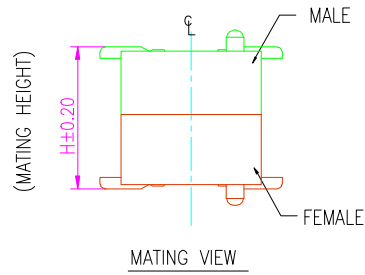
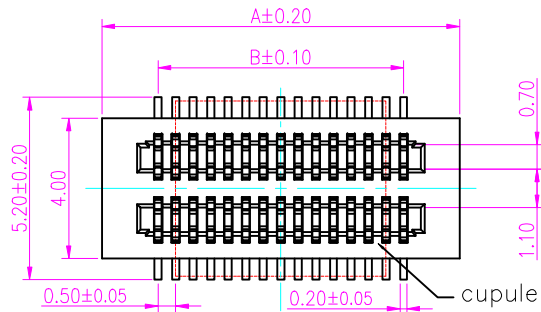
TOLERANCE : ±0.05

CUSTOMER: 深圳市连欣科技有限公司

| | | | |
|------------------|------------|--|---|
| REV: A | SIZE: A4 | GENERAL TOLERANCE UNLESS OTHERWISE SPECIFIED | PART NO: XDBM-05**-**P |
| UNIT: mm | SCALE: 5:1 | X.X ±0.25 X.XX ±0.15 X.XXX | TITLE: 0.5 BOARD TO BOARD SMT V/T TYPE MALE |
| SHEET NO: 1 OF 1 | ANG. 0°30' | DRAWN BY: Kevin 2012-12-02 | CHECKED BY: APPROVED BY: |

| SER | REVISIONS | CHK | DATE |
|-----|-----------|-----|------|
| | | | |

1 2 3 4 5 6 7 8 9 0

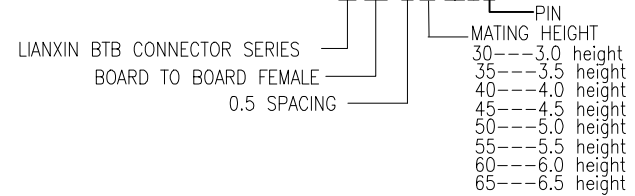


RECOMMENDED PCB PATTERN DIM.
TOLERANCE : ±0.05

NOTES:

- 1.HOUSING: HIGH-TEMP THERMOPLASTIC UL94V-0 COLOR:BLACK
- 2.TERMINAL:PHOSPHOR BRONZE
PLATING:1μ" GOLD FLASH OVERALL 50~100μ" NICKEL UNDER PLATED.

3.CODING INFORMATION: XDBF-05**-**P



| | | | | | | | | |
|---------------|-------|-------|-------|-------|-------|-------|-------|-------|
| MATING HEIGHT | 3.0 | 3.5 | 4.0 | 4.5 | 5.0 | 5.5 | 6.0 | 6.5 |
| FEMALE H1 | 1.40 | | 2.00 | | | | | |
| FEMALE H2 | 2.125 | | 3.525 | | | | | |
| MALE H1 | 0.925 | 1.425 | 1.925 | 1.025 | 1.525 | 2.025 | 2.525 | 3.025 |

0.5 BOARD TO BOARD FEMALE

| No. of contacts | Dimensions | | | | No. of contacts | Dimensions | | | |
|-----------------|------------|------|------|------|-----------------|------------|------|------|------|
| | A | B | C | D | | A | B | C | D |
| 2*4 | 4.7 | 1.5 | 2.5 | 3.4 | 2*33 | 19.2 | 18.0 | 17.0 | 17.9 |
| 2*5 | 5.2 | 2.0 | 3.0 | 3.9 | 2*34 | 19.7 | 18.5 | 17.5 | 18.4 |
| 2*6 | 5.7 | 2.5 | 3.5 | 4.4 | 2*35 | 20.2 | 17.0 | 18.0 | 18.9 |
| 2*7 | 6.2 | 3.0 | 4.0 | 4.9 | 2*36 | 20.7 | 17.5 | 18.5 | 19.4 |
| 2*8 | 6.7 | 3.5 | 4.5 | 5.4 | 2*37 | 21.2 | 18.0 | 19.0 | 19.9 |
| 2*9 | 7.2 | 4.0 | 5.0 | 5.9 | 2*38 | 21.7 | 18.5 | 19.5 | 20.4 |
| 2*10 | 7.7 | 4.5 | 5.5 | 6.4 | 2*39 | 22.2 | 19.0 | 20.0 | 20.9 |
| 2*11 | 8.2 | 5.0 | 6.0 | 6.9 | 2*40 | 22.7 | 19.5 | 20.5 | 21.4 |
| 2*12 | 8.7 | 5.5 | 6.5 | 7.4 | 2*41 | 23.2 | 20.0 | 21.0 | 21.9 |
| 2*13 | 9.2 | 6.0 | 7.0 | 7.9 | 2*42 | 23.7 | 20.5 | 21.5 | 22.4 |
| 2*14 | 9.7 | 6.5 | 7.5 | 8.4 | 2*43 | 24.2 | 21.0 | 22.0 | 22.9 |
| 2*15 | 10.2 | 7.0 | 8.0 | 8.9 | 2*44 | 24.7 | 21.5 | 22.5 | 23.4 |
| 2*16 | 10.7 | 7.5 | 8.5 | 9.4 | 2*45 | 25.2 | 22.0 | 23.0 | 23.9 |
| 2*17 | 11.2 | 8.0 | 9.0 | 9.9 | 2*46 | 25.7 | 22.5 | 23.5 | 24.4 |
| 2*18 | 11.7 | 8.5 | 9.5 | 10.4 | 2*47 | 26.2 | 23.0 | 24.0 | 24.9 |
| 2*19 | 12.2 | 9.0 | 10.0 | 10.9 | 2*48 | 26.7 | 23.5 | 24.5 | 25.4 |
| 2*20 | 12.7 | 9.5 | 10.5 | 11.4 | 2*49 | 27.2 | 24.0 | 25.0 | 25.9 |
| 2*21 | 13.2 | 10.0 | 11.0 | 11.9 | 2*50 | 27.7 | 24.5 | 25.5 | 26.4 |
| 2*22 | 13.7 | 10.5 | 11.5 | 12.4 | 2*51 | 28.2 | 25.0 | 26.0 | 26.9 |
| 2*23 | 14.2 | 11.0 | 12.0 | 12.9 | 2*52 | 28.7 | 25.5 | 26.5 | 27.4 |
| 2*24 | 14.7 | 11.5 | 12.5 | 13.4 | 2*53 | 29.2 | 26.0 | 27.0 | 27.9 |
| 2*25 | 15.2 | 12.0 | 13.0 | 13.9 | 2*54 | 29.7 | 26.5 | 27.5 | 28.4 |
| 2*26 | 15.7 | 12.5 | 13.5 | 14.4 | 2*55 | 30.2 | 27.0 | 28.0 | 28.9 |
| 2*27 | 16.2 | 13.0 | 14.0 | 14.9 | 2*56 | 30.7 | 27.5 | 28.5 | 29.4 |
| 2*28 | 16.7 | 13.5 | 14.5 | 15.4 | 2*57 | 31.2 | 28.0 | 29.0 | 29.9 |
| 2*29 | 17.2 | 14.0 | 15.0 | 15.9 | 2*58 | 31.7 | 28.5 | 29.5 | 30.4 |
| 2*30 | 17.7 | 14.5 | 15.5 | 16.4 | 2*59 | 32.2 | 29.0 | 30.0 | 30.9 |
| 2*31 | 18.2 | 15.0 | 16.0 | 16.9 | 2*60 | 32.7 | 29.5 | 30.5 | 31.4 |
| 2*32 | 18.7 | 15.5 | 16.5 | 17.4 | | | | | |

CUSTOMER: 深圳市连欣科技有限公司

REV: A SIZE: A4
UNIT: mm SCALE: 5:1
SHEET NO: 1 OF 1
DRAWN BY: Kavin 2012-12-02

GENERAL TOLERANCE UNLESS OTHERWISE SPECIFIED
X.X ±0.25
X.XX ±0.15
X.XXX
ANG. 0°30'

PART NO: XDBF-05**-**P
TITLE: 0.5 BOARD TO BOARD SMT V/T TYPE FEMALE

CHECKED BY: APPROVED BY:

| SER | REVISIONS | CHK | DATE |
|-----|-----------|-----|------|
| | | | |