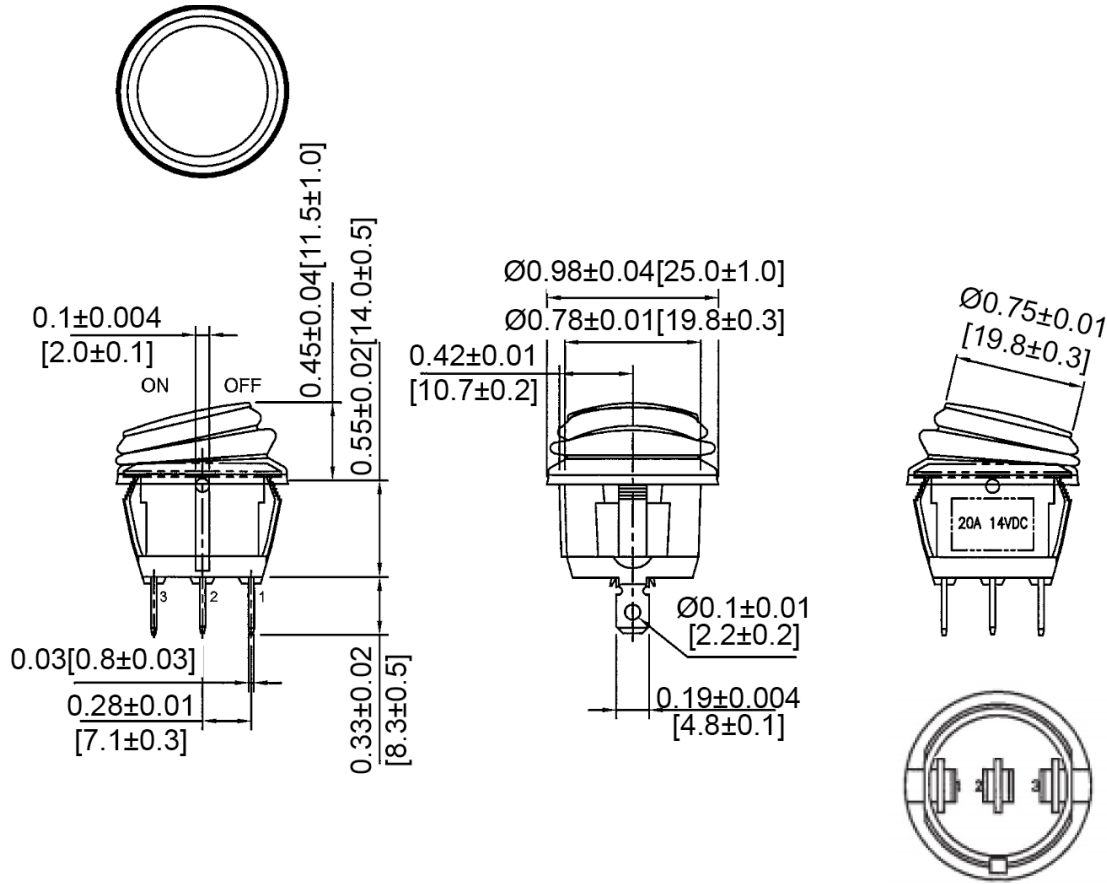
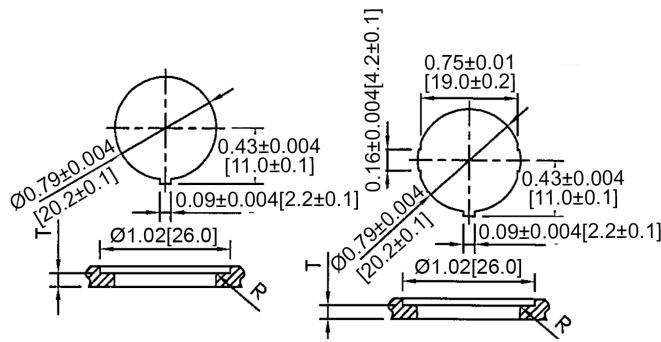


## Mechanical Dimensions: Inches [mm]

Tolerances  $\pm 0.012$  [0.3] Unless Otherwise Specified



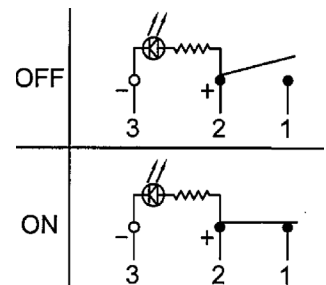
## Mounting Hole



Thickness:  $0.06 \sim 0.1$  [1.5  $\sim$  2.5] |  $0.03 \sim 0.1$  [0.7  $\sim$  2.5]

## Circuit Diagram

3P SPST OFF-ON (LED-D)



## Electrical Specifications

Rating	20A 14V DC	
Contact Resistance	50m ohm Max	
Insulation Resistance	DC 500V 100M ohm Min	
Dielectric Strength	AC 1500V 1 minute	
Operation Temperature	-25°C ~ 85°C	

## Material Specifications

Frame	Black, Nylon 66 (94-V2)
Actuator	Red Clear, PC (94-V2)
Waterproof Rubber	Black, Silicone IP65
Terminals	Silver plated, Copper Alloy
LED	Red (Dependent)

Rev	Date of issue	Revision Notes	Designed	Approved
A	07-16-2021	Initial Drawing	RC	OF