

CTCDEP147SF Series

From 0.4 μ H to 9.5 μ H



CHARACTERISTICS

Description: SMD Power Inductor.

Applications: LCD television set, notebook PC, portable communication equipment, DC/DC converters, etc.

Operating Temperature: -30°C to +100°C (includes temp. when coil is heated)

Saturation Current: This indicates the value of current when the inductance is 25% lower than its initial value at D.C. superposition or D.C. current.

Temperature Current: To load current onto the components under normal ambience, which causes the temp. change as $\Delta T=40^{\circ}\text{C}$ or more lower current.

Inductance Tolerance: M = $\pm 20\%$, N = $\pm 30\%$

Testing: Inductance is tested on an HP4285A at 100KHz, 0.25V.

Packaging: Tape & Reel.

Marking: Parts are marked with inductance code.

Miscellaneous: **RoHS Compliant.**

Additional Information: Additional electrical & physical information available upon request.

Samples available. See website for ordering information.

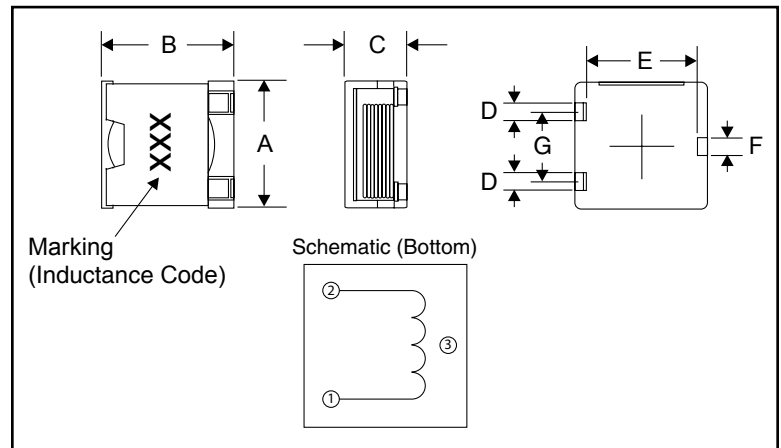
SPECIFICATIONS

Part numbers indicate inductance tolerance available.
N = $\pm 30\%$, M = $\pm 20\%$

Part Number	Inductance (μ H)	L Test Freq. (KHz)	DCR Max. (m Ω)	Saturation Current (A)	Temp. Current (A)
CTCDEP147SF-R40N	0.4	100	2.10	52.8	23.0
CTCDEP147SF-R90M	0.9	100	2.65	36.0	18.0
CTCDEP147SF-1R5M	1.5	100	3.50	27.2	16.0
CTCDEP147SF-2R4M	2.4	100	3.90	22.4	13.0
CTCDEP147SF-3R4M	3.4	100	5.50	18.4	12.3
CTCDEP147SF-4R7M	4.7	100	7.50	15.2	12.0
CTCDEP147SF-6R1M	6.1	100	7.80	14.8	11.0
CTCDEP147SF-7R7M	7.7	100	9.85	12.4	10.0
CTCDEP147SF-9R5M	9.5	100	13.3	11.2	9.30

PHYSICAL DIMENSIONS

Size	A Max.	B Max.	C Max.	D Typ.	E Typ.	F Typ.	G Typ.
mm	14.9	15.0	8.1	2.8	10.5	2.3	9.0
inches	0.58	0.59	0.32	0.11	0.41	0.09	0.35



PAD LAYOUT

