

## XSA & XSB Type

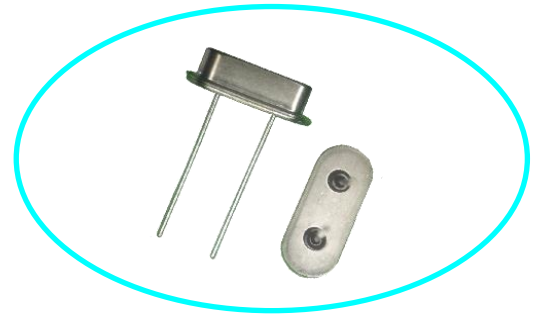
### 49S 2 Lead X'TAL Series

#### Feature

- ◆ Frequency Range: 3.58~80MHz
- ◆ Typical 10.72 x 4.34 x 3.4 (2.5) mm metal can 2 lead package.
- ◆ Packing 1 : Self-sealing plastic bag, 200pcs / bulk.
- ◆ Packing 2 : Paper Tape & Reel, 1000pcs / Reel.

#### Typical Application

- ◆ Automotive
- ◆ Bluetooth, Wireless
- ◆ Computers, Modems, Communications.
- ◆ Set-top Box, DECT / WDCT, TV.



#### Electrical Specifications

Parameter	Specification			Unit	Remark
	Min	Typical	Max		
Frequency Range (F0)	3.58~80			MHz	-
Storage Temperature Range (Ts)	-55	-	125	°C	-
Level of Drive (DL)	-	100	200	uW	-
Load Capacitance (CL)	6 pF ~ ∞			pF	Assignable
Insulation Resistance	500	-	-	Mohm	at DC 100V
Aging	-3	-	3	ppm/Year	First Year

#### Frequency Stability Vs Temperature Range

Temp Range(°C)	ppm						
	±5	±10	±15	±20	±30	±50	±100
-10~50	△	√	√	√	√	√	√
-20~70	X	√	√	√	√	√	√
-40~85(F>=16MHz)	X	X	△	√	√	√	√
-40~85(F<16MHz)	X	X	△	△	√	√	√
-40~105	X	X	X	X	△	√	√
-40~125	X	X	X	X	X	△	√

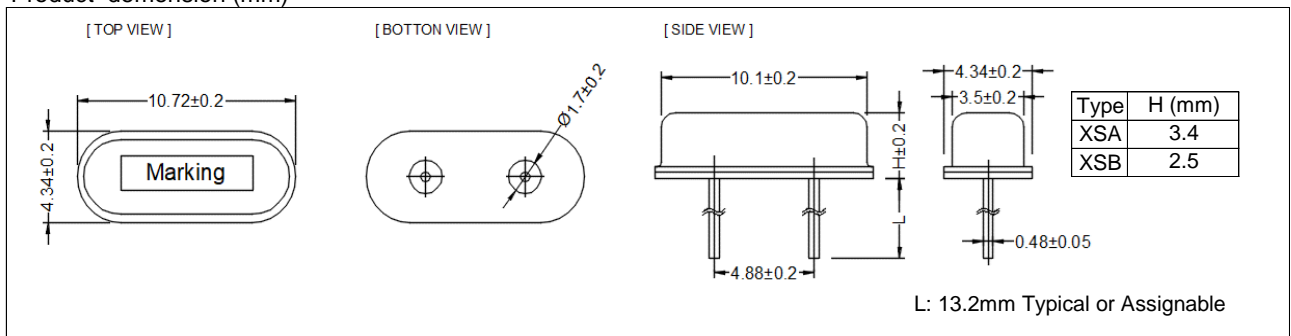
Note: √ : Available, △ : Conditional, X : Not available

#### ESR (Equivalent Series Resistance)

Frequency Range	Mode	ESR (Max)	Unit
3.58MHz < F <sub>0</sub> < 4MHz	Fundamental	150	ohm
4MHz ≤ F <sub>0</sub> < 6MHz	Fundamental	100	ohm
6MHz ≤ F <sub>0</sub> < 10MHz	Fundamental	60	ohm
10MHz ≤ F <sub>0</sub> < 12MHz	Fundamental	60	ohm
12MHz ≤ F <sub>0</sub> < 16MHz	Fundamental	45	ohm
16MHz ≤ F <sub>0</sub> < 20MHz	Fundamental	45	ohm
20MHz ≤ F <sub>0</sub> < 24MHz	Fundamental	40	ohm
24MHz ≤ F <sub>0</sub> < 30MHz	Fundamental	35	ohm
30MHz ≤ F <sub>0</sub> ≤ 48MHz	Fundamental	30	ohm
30MHz ≤ F <sub>0</sub> < 36MHz	3rd Overtone	70	ohm
36MHz ≤ F <sub>0</sub> < 80MHz	3rd Overtone	50	ohm

#### Dimension

Product dimension (mm)



Note: not all combination of options are available. Other specifications may be available upon request.

Specifications subject to change without notice.