

CP41B-RxS, CP41B-AxS: P4 Red & Amber LEDs



PRODUCT DESCRIPTION

P4 LEDs offer superior light output for excellent readability in sunlight and dependable performance. They provide extremely stable light output over long periods of time.

These lamps are made with an advanced optical-grade epoxy offering superior high-temperature and high-moisture-resistance performance in vehicle signal lamps and amusement lighting.

FEATURES

- Size (mm): 7.6 x 7.6
- Color and Typical Dominant Wavelength:
Red (628nm)
Amber (591nm)
- Viewing angles:
40°: CP41B-xDS
70°: CP41B-xFS
100°: CP41B-xHS
- Lead - Free
- RoHS Compliant

APPLICATIONS

- Channel Letter
- Amusement

ABSOLUTE MAXIMUM RATINGS ($T_A = 25^\circ\text{C}$)

Items	Symbol	Absolute Maximum Rating	Unit
		Red/Amber	
Forward Current	I_F	70 ^{Note1}	mA
Peak Forward Current ^{Note2}	I_{FP}	200	mA
Reverse Voltage	V_R	5	V
Power Dissipation	P_D	210	mW
Operation Temperature	T_{opr}	-40 ~ +100	$^\circ\text{C}$
Storage Temperature	T_{stg}	-40 ~ +100	$^\circ\text{C}$
Lead Soldering Temperature	T_{sol}	Max. 260 $^\circ\text{C}$ for 5 sec. max. (3 mm from the base of the epoxy bulb)	
Electrostatic Discharge Classification (MIL-STD-883E)	ESD	Class 2	

Note:

1. A heat sink is recommended if the device is operated at ambient temperatures higher than 25 $^\circ\text{C}$.
2. Pulse width ≤ 0.1 msec, duty $\leq 1/10$.

TYPICAL ELECTRICAL & OPTICAL CHARACTERISTICS ($T_A = 25^\circ\text{C}$)

Characteristics	Color	Symbol	Condition	Unit	Minimum	Typical	Maximum
Forward Voltage	Red/Amber	V_F	$I_F = 70$ mA	V		2.5	3.0
Reverse Current	Red/Amber	I_R	$V_R = 5$ V	μA			100
Dominant Wavelength	Red	λ_D	$I_F = 70$ mA	nm	620	628	637
	Amber	λ_D	$I_F = 70$ mA	nm	584	591	599
Luminous Flux	Red	CP41B-RDS (40 degree)	Φ_v	$I_F = 70$ mA	mlm	4400	7000
		CP41B-RFS (70 degree)	Φ_v	$I_F = 70$ mA	mlm	4400	7500
		CP41B-RHS (100 degree)	Φ_v	$I_F = 70$ mA	mlm	4400	8000
	Amber	CP41B-ADS (40 degree)	Φ_v	$I_F = 70$ mA	mlm	4400	6500
		CP41B-AFS (70 degree)	Φ_v	$I_F = 70$ mA	mlm	5500	7500
		CP41B-AHS (100 degree)	Φ_v	$I_F = 70$ mA	mlm	5500	8000
50% Power Angle	CP41B-RDS/ADS	$2\theta_{1/2}$	$I_F = 70$ mA	deg		40	
	CP41B-RFS/AFS	$2\theta_{1/2}$	$I_F = 70$ mA	deg		70	
	CP41B-RHS/AHS	$2\theta_{1/2}$	$I_F = 70$ mA	deg		100	

* Continuous reverse voltage can cause LED damage.

FLUX BIN LIMIT

Red (70 mA) - CP41B-RDS/RFS			Amber (70 mA) - CP41B-ADS		
Bin Code	Min.(mIm)	Max.(mIm)	Bin Code	Min.(mIm)	Max.(mIm)
L0	4400	5500	L0	4400	5500
M0	5500	6600	M0	5500	6600
N0	6600	8730	N0	6600	8730
P0	8730	11000	P0	8730	11000
Red (70 mA) - CP41B-RHS			Amber (70 mA) - CP41B-AFS/AHS		
Bin Code	Min.(mIm)	Max.(mIm)	Bin Code	Min.(mIm)	Max.(mIm)
L0	4400	5500	M0	5500	6600
M0	5500	6600	N0	6600	8730
N0	6600	8730	P0	8730	11000
P0	8730	11000	Q0	11000	13200
Q0	11000	13200			

* Tolerance of measurement of luminous flux is $\pm 15\%$

COLOR BIN LIMIT

Red (70 mA) - CP41B-RDS/RFS/RHS			Amber (70 mA) - CP41B-ADS/AFS/AHS		
Bin Code	Min.(nm)	Max.(nm)	Bin Code	Min.(nm)	Max.(nm)
RE	620	637	A2	584	587
			A3	587	590
			A4	590	593
			A5	593	596
			A6	596	599

* Tolerance of measurement of dominant wavelength is ± 1 nm.

VOLTAGE BIN LIMIT

Red & Amber		
Bin Code	Min. (V)	Max. (V)
23	2.0	2.2
24	2.2	2.4
25	2.4	2.6
26	2.6	2.8
27	2.8	3.0

* Tolerance of measurement of voltage is $\pm 0.05V$

ORDER CODE TABLE

Color	Viewing Angle	Kit Number	Luminous Flux (lm)		Dominant Wavelength			
			Min.	Max.	Color Bin	Min.(nm)	Color Bin	Max.(nm)
Red	40°	CP41B-RDS-CL0P0EE4	4400	11000	RE	620	RE	637
		CP41B-RDS-CM0P0EE4	5500	11000	RE	620	RE	637
	70°	CP41B-RFS-CL0P0EE4	4400	11000	RE	620	RE	637
		CP41B-RFS-CM0P0EE4	5500	11000	RE	620	RE	637
		CP41B-RFS-CN0P0EE4	6600	11000	RE	620	RE	637
	100°	CP41B-RHS-CL0Q0EE4	4400	13200	RE	620	RE	637
		CP41B-RHS-CM0Q0EE4	5500	13200	RE	620	RE	637
		CP41B-RHS-CN0Q0EE4	6600	13200	RE	620	RE	637
	Amber	40°	CP41B-ADS-CL0P0264	4400	11000	A2	584	A6
CP41B-ADS-CM0P0354			5500	11000	A3	587	A5	596
CP41B-ADS-CM0P0454			5500	11000	A4	590	A5	596
70°		CP41B-AFS-CM0Q0264	5500	13200	A2	584	A6	599
		CP41B-AFS-CN0Q0354	6600	13200	A3	587	A5	596
		CP41B-AFS-CN0Q0454	6600	13200	A4	590	A5	596
100°		CP41B-AHS-CM0Q0264	5500	13200	A2	584	A6	599
		CP41B-AHS-CN0Q0354	6600	13200	A3	587	A5	596
		CP41B-AHS-CN0Q0454	6600	13200	A4	590	A5	596

Notes:

- The above kit numbers represent order codes which include multiple flux-bin and color-bin codes. Only one flux-bin code and one color-bin code will be shipped on each reel. And single flux-bin code, single color bin-codes will not be orderable.
- Please refer to the [HB LED Lamp Reliability Test Standards](#) document for reliability test conditions.
- Please refer to the [HB LED Lamp Soldering & Handling](#) document for information about how to use this LED product safely.

GRAPHS

The data below are collected from statistical figures that do not necessarily correspond to the actual parameters of each single LED. Hence, these data will be changed without further notice.

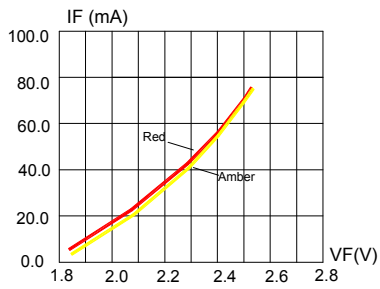


FIG. 1 FORWARD CURRENT VS. FORWARD VOLTAGE.

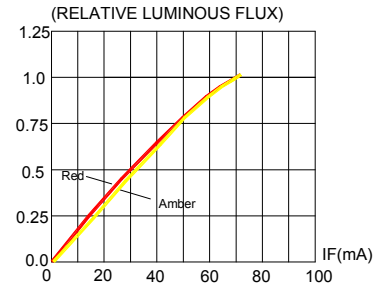


FIG. 2 RELATIVE LUMINOUS FLUX VS. FORWARD CURRENT

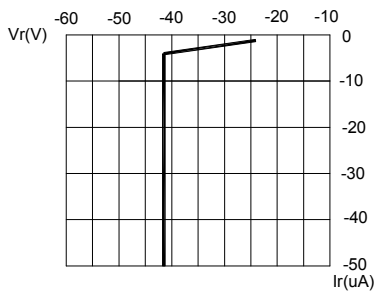


FIG. 3 Red & Amber REVERSE CURRENT VS. REVERSE VOLTAGE.

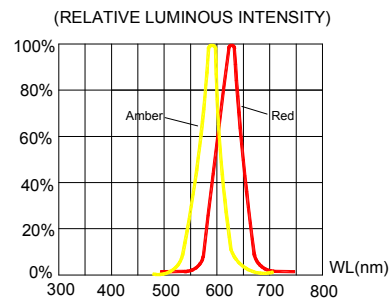


FIG. 4 RELATIVE LUMINOUS INTENSITY VS. WAVELENGTH.

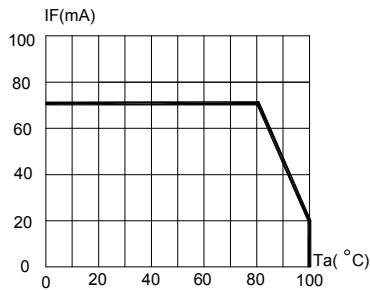


FIG. 5 Red & Amber MAXIMUM FORWARD DC CURRENT VS AMBIENT TEMPERATURE (Tjmax=120°C)

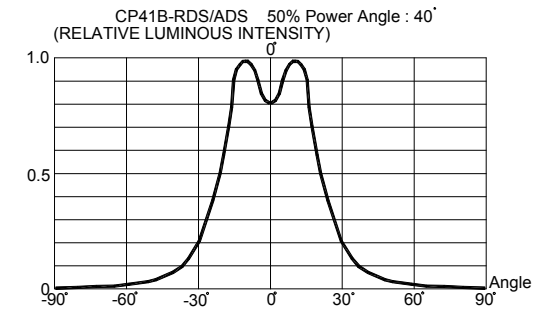


FIG. 6 FAR FIELD PATTERN

GRAPHS

The data below are collected from statistical figures that do not necessarily correspond to the actual parameters of each single LED. Hence, these data will be changed without further notice.

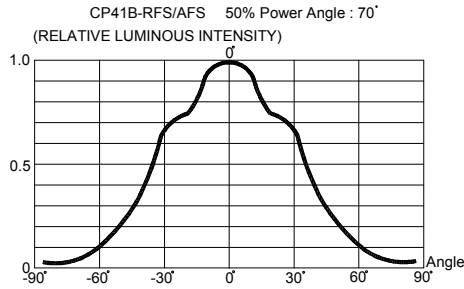


FIG.7 FAR FIELD PATTERN

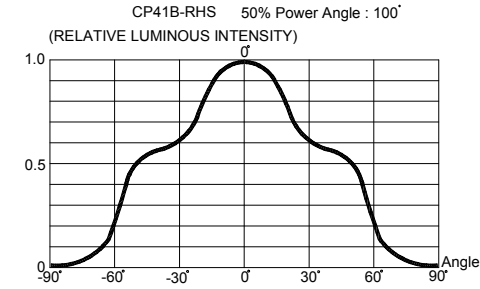


FIG.8 FAR FIELD PATTERN

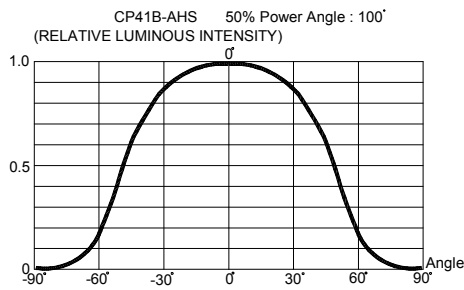


FIG.9 FAR FIELD PATTERN

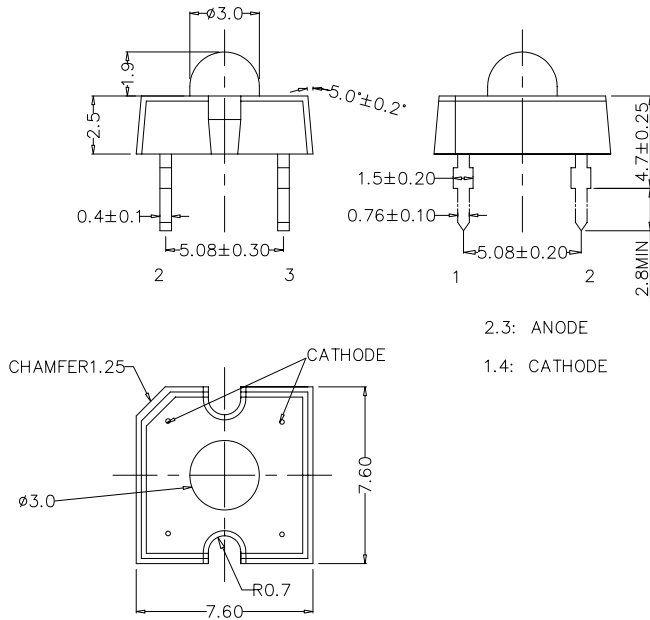
MECHANICAL DIMENSIONS

All dimensions are in mm. Tolerance is ± 0.25 mm unless otherwise noted.

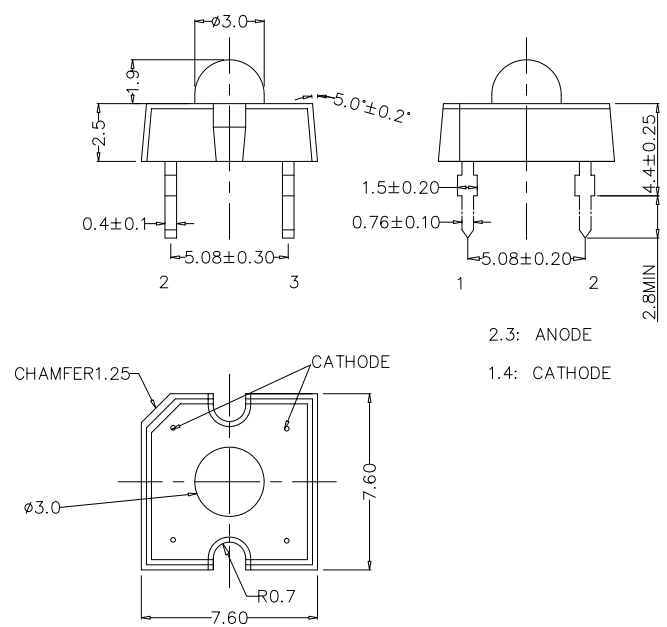
An epoxy meniscus extend about 1.5 mm down the leads.

All metal burr dimension is 0.2 mm max.

CP41B-RDS/ADS:



CP41B-RFS/AFS:



NOTES

RoHS Compliance

The levels of RoHS restricted materials in this product are below the maximum concentration values (also referred to as the threshold limits) permitted for such substances, or are used in an exempted application, in accordance with EU Directive 2011/65/EC (RoHS2), as implemented January 2, 2013. RoHS Declarations for this product can be obtained from your Cree LED representative or from the [Product Ecology](#) section of the Cree LED website.

Vision Advisory

WARNING: Do not look at an exposed lamp in operation. Eye injury can result.

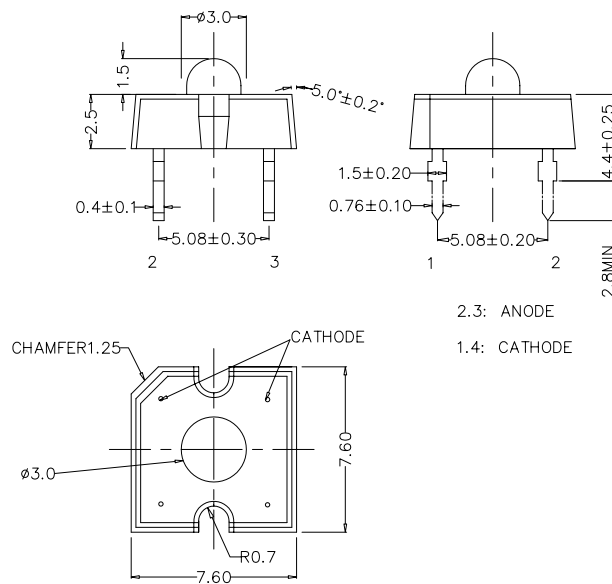
MECHANICAL DIMENSIONS

All dimensions are in mm. Tolerance is ± 0.25 mm unless otherwise noted.

An epoxy meniscus extend about 1.5 mm down the leads.

All metal burr dimension is 0.2 mm max.

CP41B-RHS/AHS:



NOTES

RoHS Compliance

The levels of RoHS restricted materials in this product are below the maximum concentration values (also referred to as the threshold limits) permitted for such substances, or are used in an exempted application, in accordance with EU Directive 2011/65/EC (RoHS2), as implemented January 2, 2013. RoHS Declarations for this product can be obtained from your Cree LED representative or from the [Product Ecology](#) section of the Cree LED website.

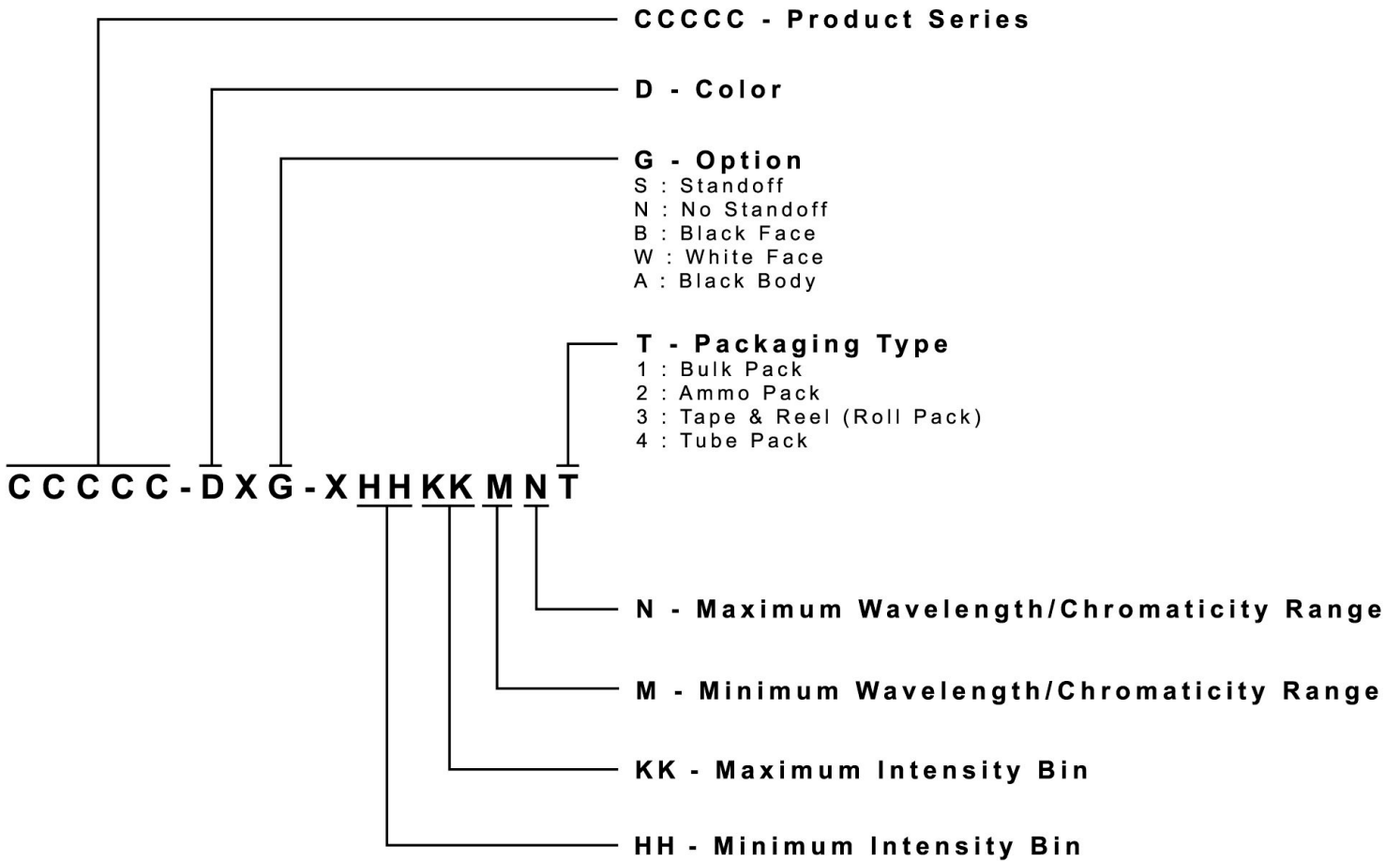
Vision Advisory

WARNING: Do not look at an exposed lamp in operation. Eye injury can result.

KIT NUMBER SYSTEM

Cree LED lamps are tested and sorted into performance bins. A bin is specified by ranges of color, forward voltage, and brightness. Sorted LEDs are packaged for shipping in various convenient options.

Cree LEDs are sold by order codes in combinations of bins called kits. Order codes are configured in the following manner:

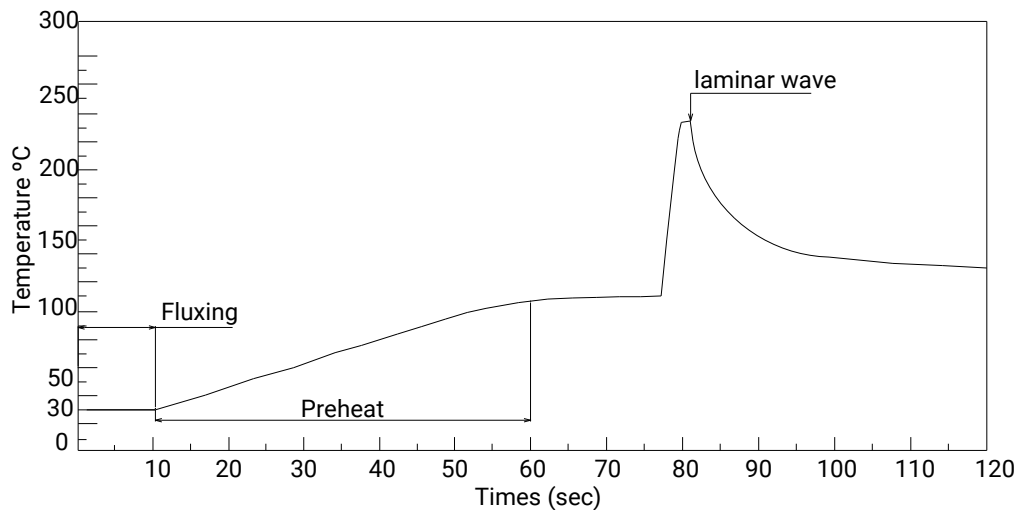


SOLDERING GUIDELINES

The LED soldering specification is shown below (suitable for both leaded solder & lead-free solder):

Manual Soldering		Solder Dipping	
Soldering iron	35 W max	Preheat	110 °C max
Temperature	300 °C max	Preheat time	60 seconds max
		Solder-bath temperature	260 °C Max
Soldering time	3 seconds max	Dipping time	5 seconds max
Position	Not less than 3 mm from the base of the package.	Position	Not less than 3 mm from the base of the package.

- Manual soldering onto the PCB is not recommended because soldering time is uncontrollable.
- The recommended wave soldering is as below:



- Do not apply any stress to the LED package, particularly when heated.
- Only bottom preheat is suggested & should not preheat on top in order to reduce thermal stress experienced by the LEDs.
- The LEDs must not be re used once they have been extracted from PCB.
- After soldering the LEDs, the package should be protected from mechanical shock or vibration until the LEDs have reached 40 °C or below.
- Precautions must be taken as mechanical stress on the LEDs may be caused by PCB warpage or from the clinching and cutting of the LED leads.
- When it is necessary to clamp the LEDs during soldering, it is important to ensure no mechanical stress is exerted on the LEDs.
- Cut the LED lead at normal room temperature. Lead cutting at high temperature may cause failure of the LEDs.
- Please refer to the [HB LED Lamp Soldering & Handling](#) document for information about how to use this LED product safely.

PACKAGING

- The LEDs are packed in cardboard boxes after packaging in normal or anti-electrostatic bags.
- Cardboard boxes will be used to protect the LEDs from mechanical shock during transportation.
- The boxes are not water resistant, and they must be kept away from water and moisture.
- The Tube Pack type of packaging. Max 60 pcs per tube.

