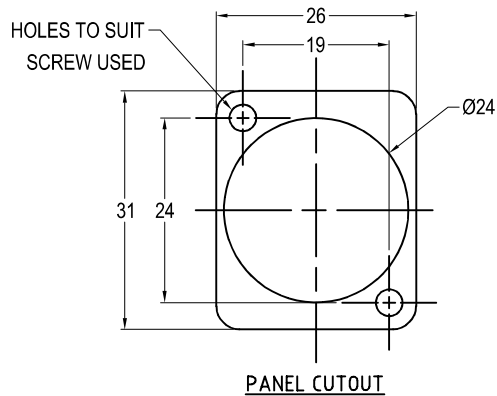


# CLIFF

## 12GHz GOLD BNC FEEDTHROUGH

Our new gold plated BNC connector offers a 4K video standard connector future-proofing broadcast systems and patch panels and offers industrial users a high-reliability, lower contact resistance connector for sensors, instrumentation and test and measurement.



### VARIANTS

**CP303112G** - XRP12 GOLD BNC 75Ω 12GHz, CSK HOLE

**CP303112GX** - XRP12 GOLD BNC 75Ω 12GHz, PLAIN HOLE

**CP303112GM** - GOLD BNC 75Ω 12GHz, NICKEL FRAME, CSK HOLE

**CP303112GMB** - GOLD BNC 75Ω 12GHz, BLACK METAL FRAME, CSK HOLE

**CP30186** - 16 x GOLD BNC 75Ω 12GHz, FRONT MOUNTED, M3 HOLES

### SPECIFICATION 12GHz BNC

Impedance:	75Ω
Frequency:	0-18 GHz
Dielectric Withstand Voltage:	1500 Veff
Insulation Resistance:	5000MΩ
Operating Temperature:	-35°C to +70°C
Contact Retention:	10N min
Mating cycles:	500 cycles